

Majesty Series Pivot Hinge

SHOWER HINGE TEMPLATE



Top and Bottom Beveled Pivot Hinge

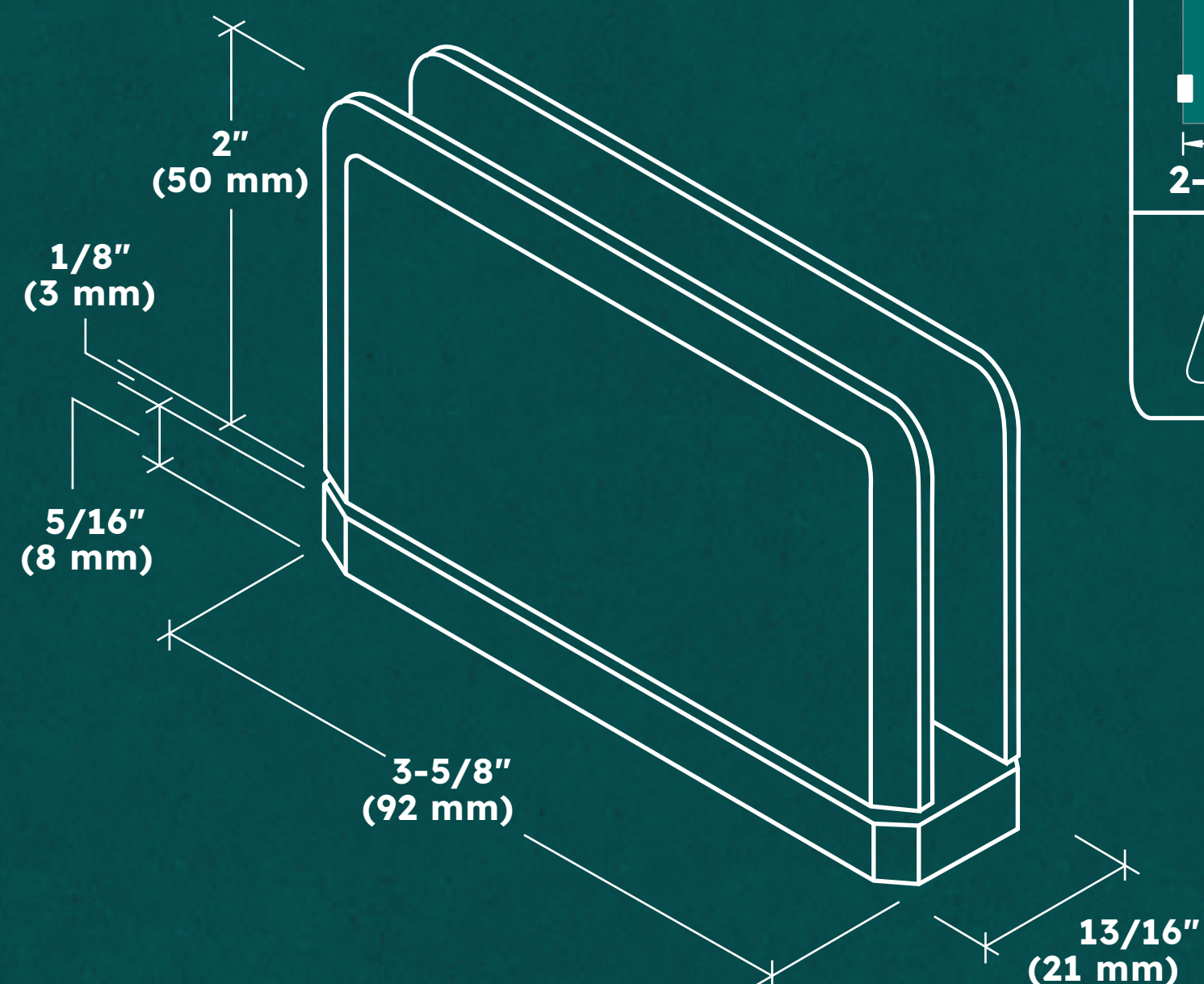
SKU. MAJ360

Specifications:

Glass Sizes: 3/8" (10 mm) Tempered Glass Only
Construction: Solid Brass
Closing Type: Full Rotation and Self-Centering When Within 15 Degrees of Closed position.
Cutout Required: Cutout No. SD20 or SD21
Includes: Hinge, glazing gaskets, mounting screws, allen head/phillips head cover plate screws, and fabrication template.
Use: Residential Bath and Commercial Hotel Applications



SEE TEMPLATE ON BACK
Refer to Dimensions Shown
to Ensure Accuracy



GASKET SPECIFICATIONS:

For 1/2" (12mm) Glass:
Use One Thin Gasket On One Side and
One Thick Gasket on the Other Side

GLASS INSTRUCTIONS:

Only use tempered safety glass. To prevent damage to the hinge finish. Installing these hinges should not be performed with power tools.

IMPORTANT INFORMATION:

The Sublime Series Hinge has a dual-degree pivot pin. It comes factory set at 90 degrees for everyday door-closing applications. For jobs requiring firmer support against the jamb or seal, the hinge pivot pin can also be adjusted in the field to add an additional 5 degrees of closing.

CARE & CLEANING GUIDELINES:

Keep the following recommendations in mind for maximum results when caring for your Glaze shower door hardware. Your shower door should be dried daily with a soft towel or cloth to ensure its original finish. Do not use harsh cleaners or chemicals on the hardware, as many of the components are coated with a clear lacquer that will become damaged beyond repair. Always test your cleaning solution in an inconspicuous area before wiping the entire hardware surface. Wipe surfaces with a soft, dampened cloth or sponge, and rinse with warm water immediately after applying the cleaning solution. Use only small amounts of a gentle, liquid cleaner. When cleaning hardware, don't use wire scrub brushes, or abrasive products.

MAXIMUM DOOR CAPACITY	3/8" (10 mm) GLASS	
	WEIGHT	WIDTH
USING 2 HINGES	100 LBS. (46 kg)	31" (787 mm)
Note: Do not exceed either maximum weight or width when choosing proper quantity of hinges		

MAINTENANCE:

All Glaze Hardware hinges are factory greased to ensure a quiet, hassle-free installation. Suppose there is any noticeable squeaking that occurs after installation. In that case, applying a few drops of (3 in 1) multi-purpose oil to the hinge at the nylon washer/pivot location is recommended. If, for some reason, the hinge is disassembled during maintenance, use a small amount of white lithium grease to lubricate the interior hinge components. The lubricant will penetrate the hinge crevices, reducing friction and cleaning grime and buildup. The use of spray lubricants is prohibited.

Majesty Series Pivot Hinge

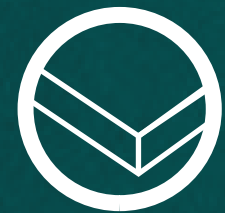
SHOWER CLAMP TEMPLATE



Top and Bottom Beveled Pivot Hinge

SKU. MAJ360

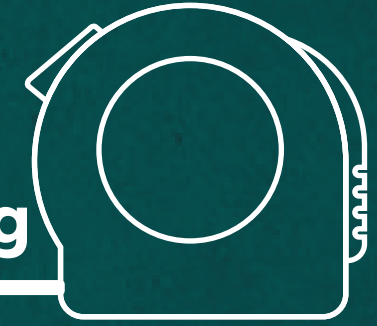
Edge Pivot Option with 9/16" (14 mm) Top or Bottom Clearance



**USE ONLY
MONOLITHIC
TEMPERED GLASS**

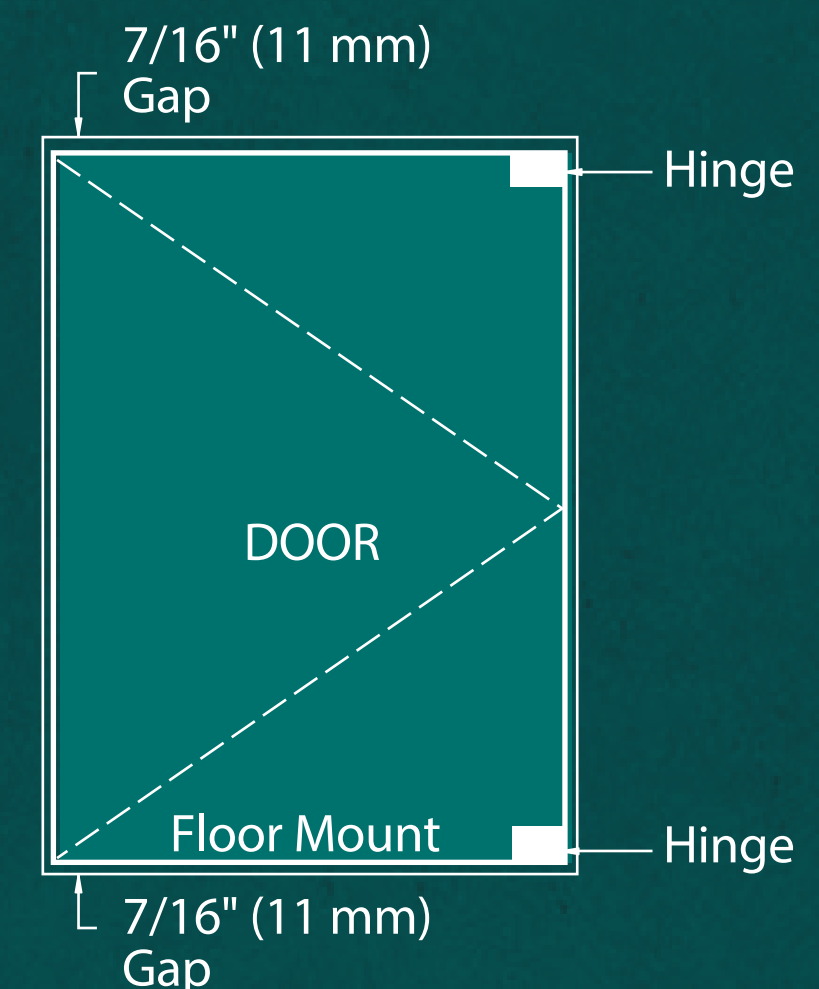
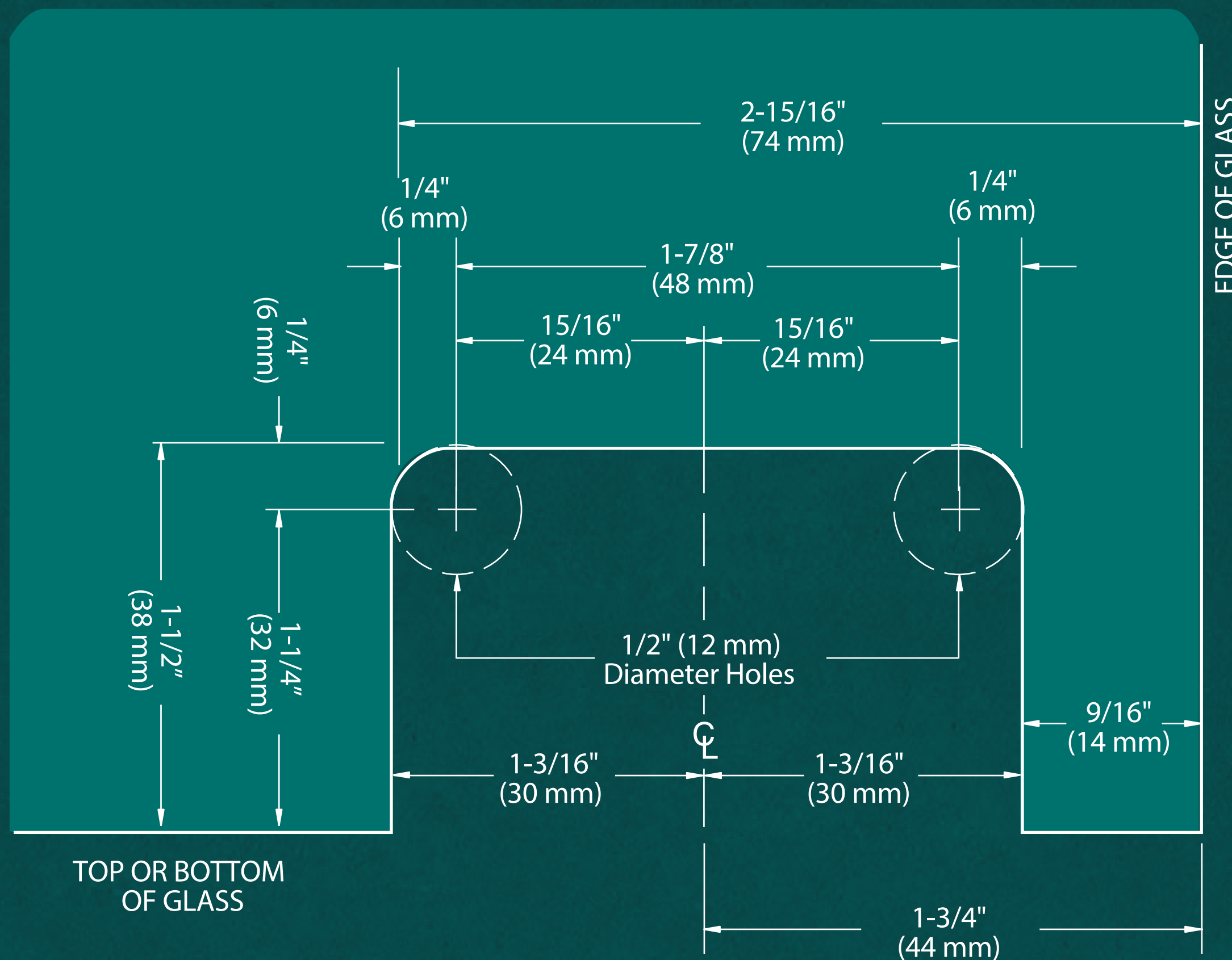
Do not measure/scale drawing

Use dimensions shown



Cutout No. SD20

EDGE PIVOT OPTION WITH 9/16" (14 MM) TOP OR BOTTOM CLEARANCE



IMPORTANT:
Measure from Finished
Edge of Glass