

# 2" x 2" Heavy Duty Beveled Glass Clamp



## Wall Mount Glass Clamp

SKU: SGC50

### SPECIFICATIONS:

**Glass Size:** 3/8" to 1/2" (10 to 12 mm) Tempered Glass Only

**Construction:** Solid Brass

**Finish:** Available in Multiple Finishes

**Installation:** Wall Mount, Fixed Panel Support

**Use:** Residential & Commercial Applications

### GASKET SPECIFICATIONS:

**For 3/8" (10mm) Glass:**

Use One Thick Gasket On Each Side

**For 1/2" (12mm) Glass:**

Use One Thin Gasket On Each Side

### GLASS INSTRUCTIONS:

Designed to securely anchor fixed glass panels to the wall.

Ensure proper alignment before final installation.

Do not install using power tools.

### CARE & CLEANING GUIDELINES:

Keep the hardware clean and dry after use.

Avoid harsh chemicals or abrasive materials.

Use a soft cloth and mild soap for cleaning to maintain the finish.

### PRODUCT DESCRIPTION:

The 2" x 2" Beveled Wall Mount Clamp is designed to securely anchor vertical fixed glass panels while delivering a clean, seamless frameless appearance. Mounted directly to the wall, this clamp offers a refined alternative to traditional U-channel installations.

With a 3/16" clearance between the glass and mounting surface, it allows for proper alignment and can be sealed with clear silicone to achieve a watertight finish. Ideal for modern frameless shower enclosures in residential and commercial applications.

### FEATURES & SPECIFICATIONS:

- 2" x 2" Beveled Wall Mount Clamp
- Mounts to Wall, Ceiling, or Floor
- Creates Seamless Frameless Appearance
- 3/16" Clearance Between Glass and Wall
- Compatible with 3/8" to 1/2" Tempered Glass
- Requires 5/8" or 3/4" Hole in Glass Panel
- Fixed Panel Compatible
- Available in Multiple Finishes

### AVAILABLE FINISHES:



Polished Nickel



Chrome



Matte Black



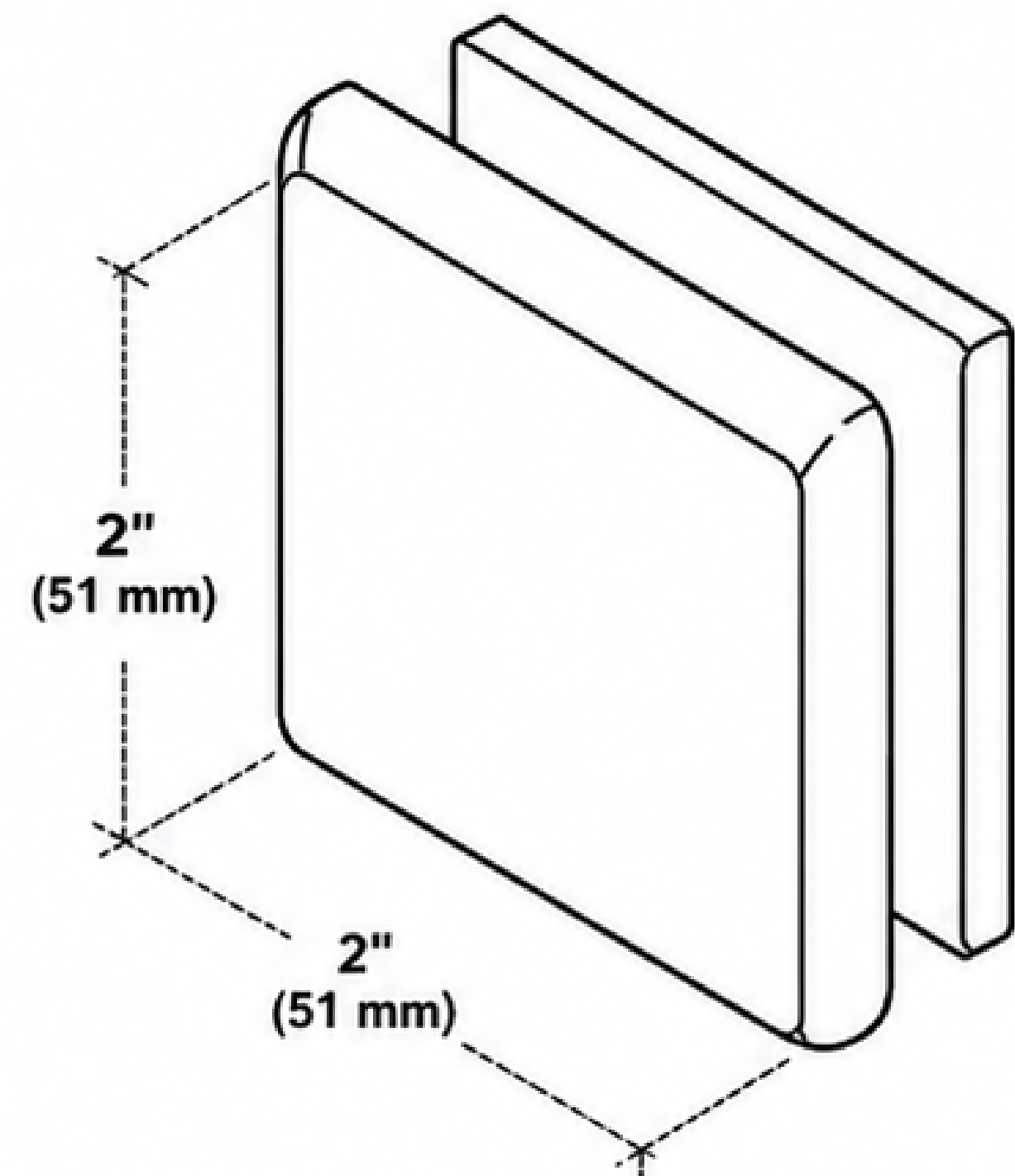
Brushed Gold



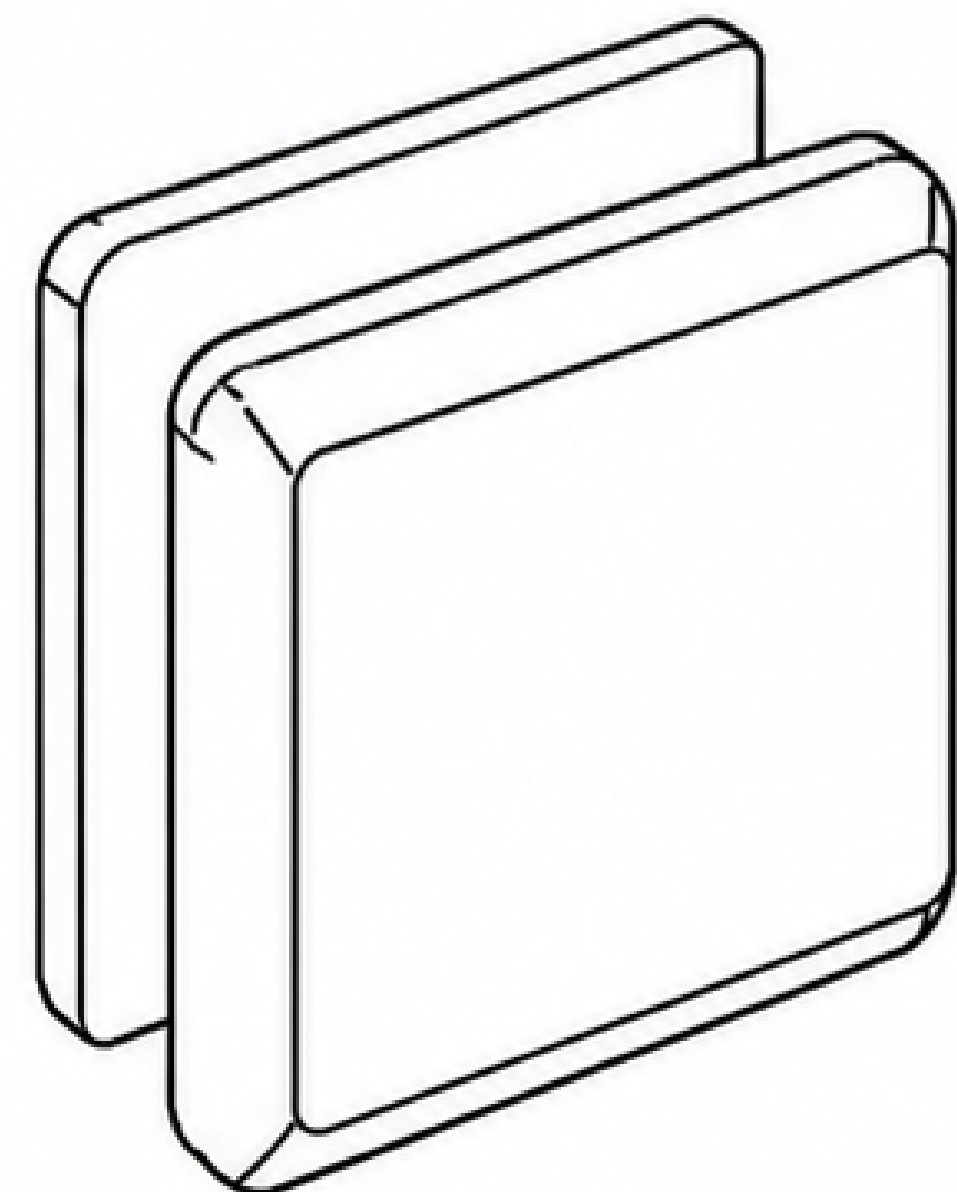
Brushed Nickel



Brushed Bronze



Front View



Rear View

# 2" x 2" Heavy Duty Beveled Glass Clamp

SHOWER CLAMP TEMPLATE



Fixed Panel Square Profile

SKU. SGC50

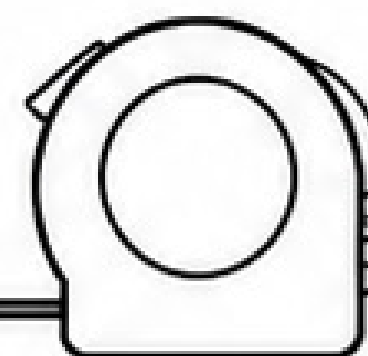


USE ONLY  
MONOLITHIC  
TEMPERED GLASS

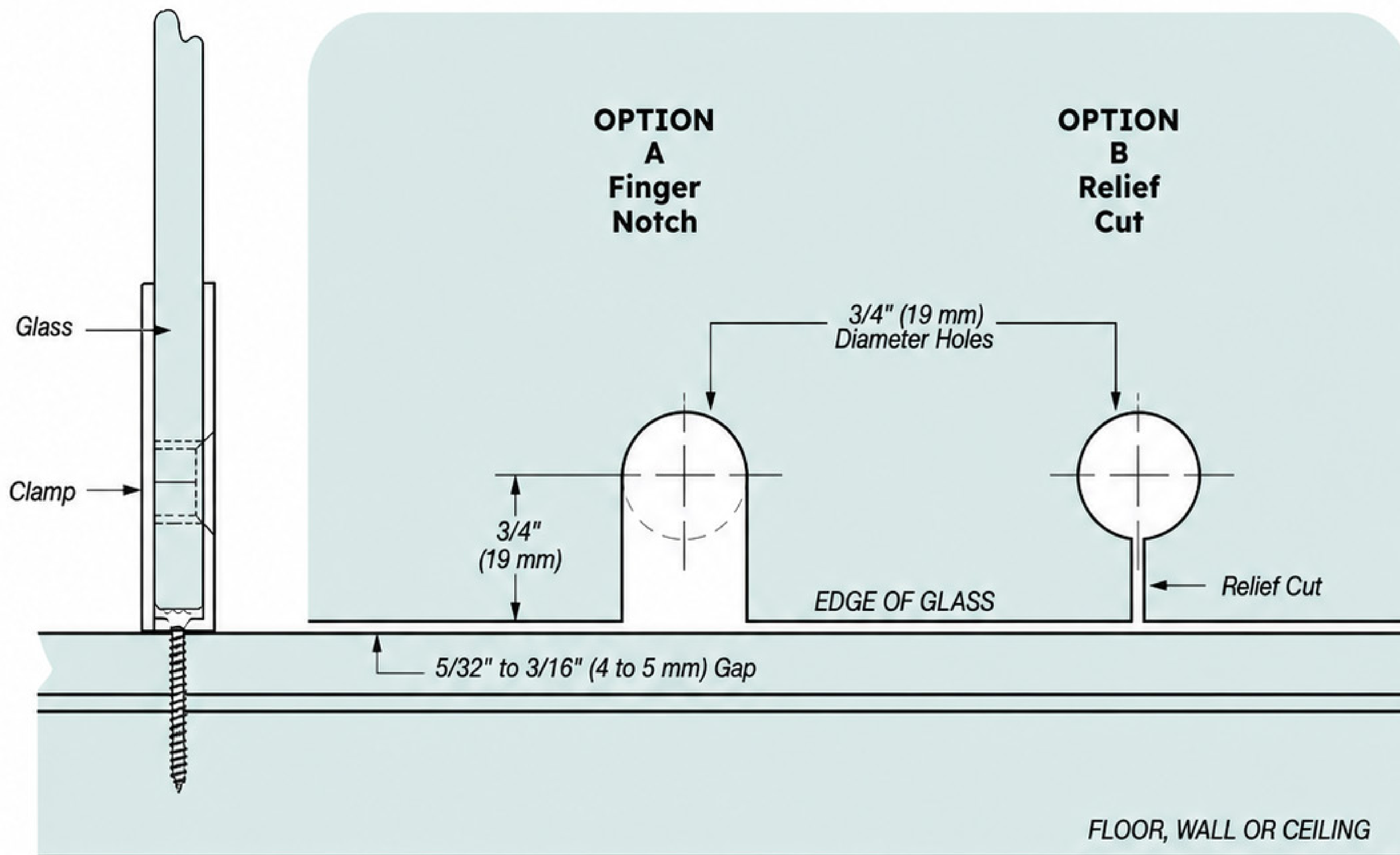
Do not measure/scale drawing



Use dimensions shown



Cutout No. SD26



**IMPORTANT:**  
Measure from Finished  
Edge of Glass