

Heavy-Duty Wall Mount Clamp Beveled Profile With 90 degree Large mounting Leg



SKU. BGC50L

SPECIFICATIONS:

Glass Sizes: 3/8" to 1/2" (10 to 12 mm) Tempered Glass Only
Construction: Solid Brass
Cutout Required: Cutout No. SD49
Includes: Clamp body, glazing gaskets, mounting screws, and fabrication template.
Use: Residential Bath and Commercial Hotel Applications

GASKET SPECIFICATIONS:

For 3/8" (10mm) Glass: Use One Thick Gasket On Each Side For 1/2" (12mm) Glass: Use One Thin Gasket On Each Side

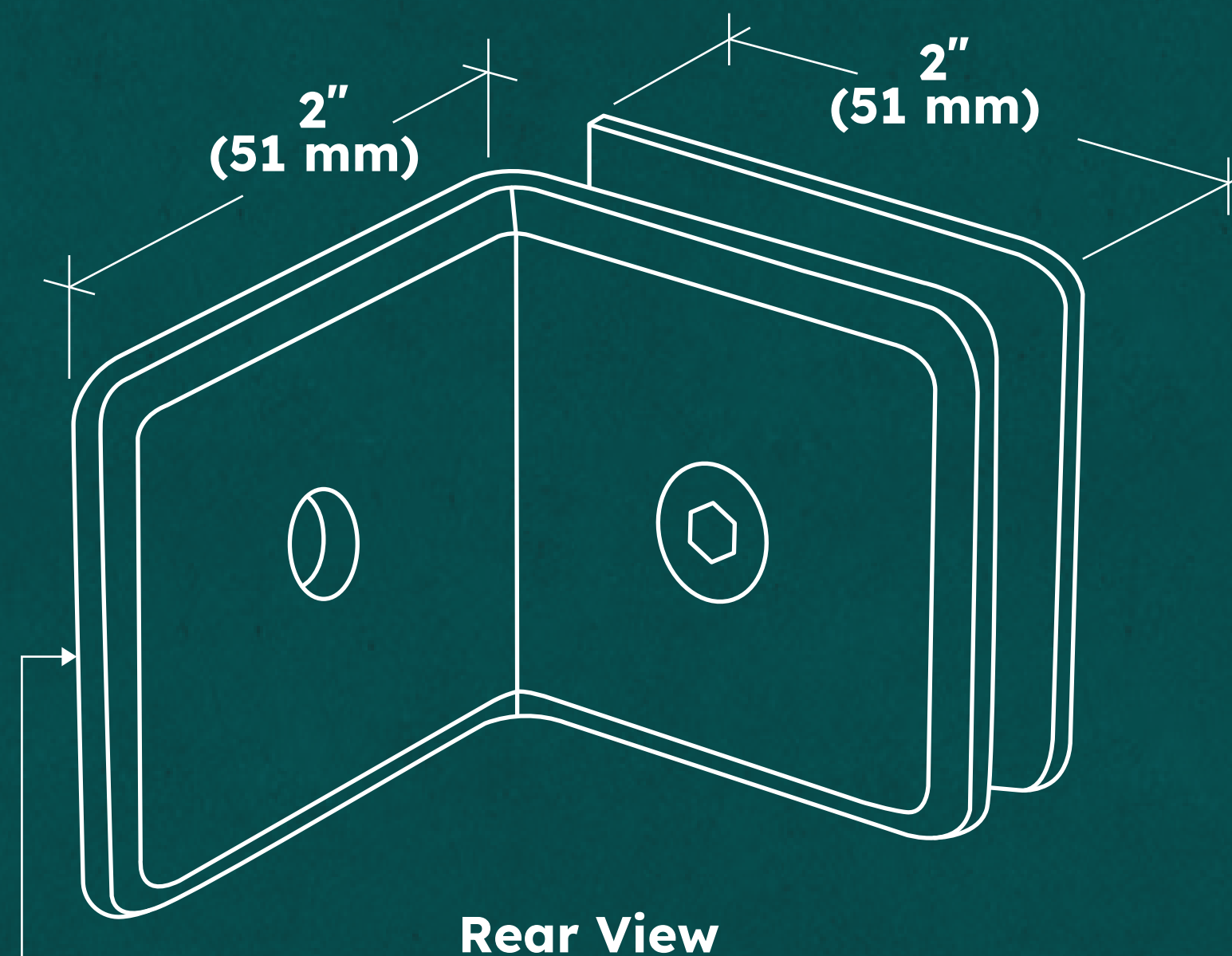
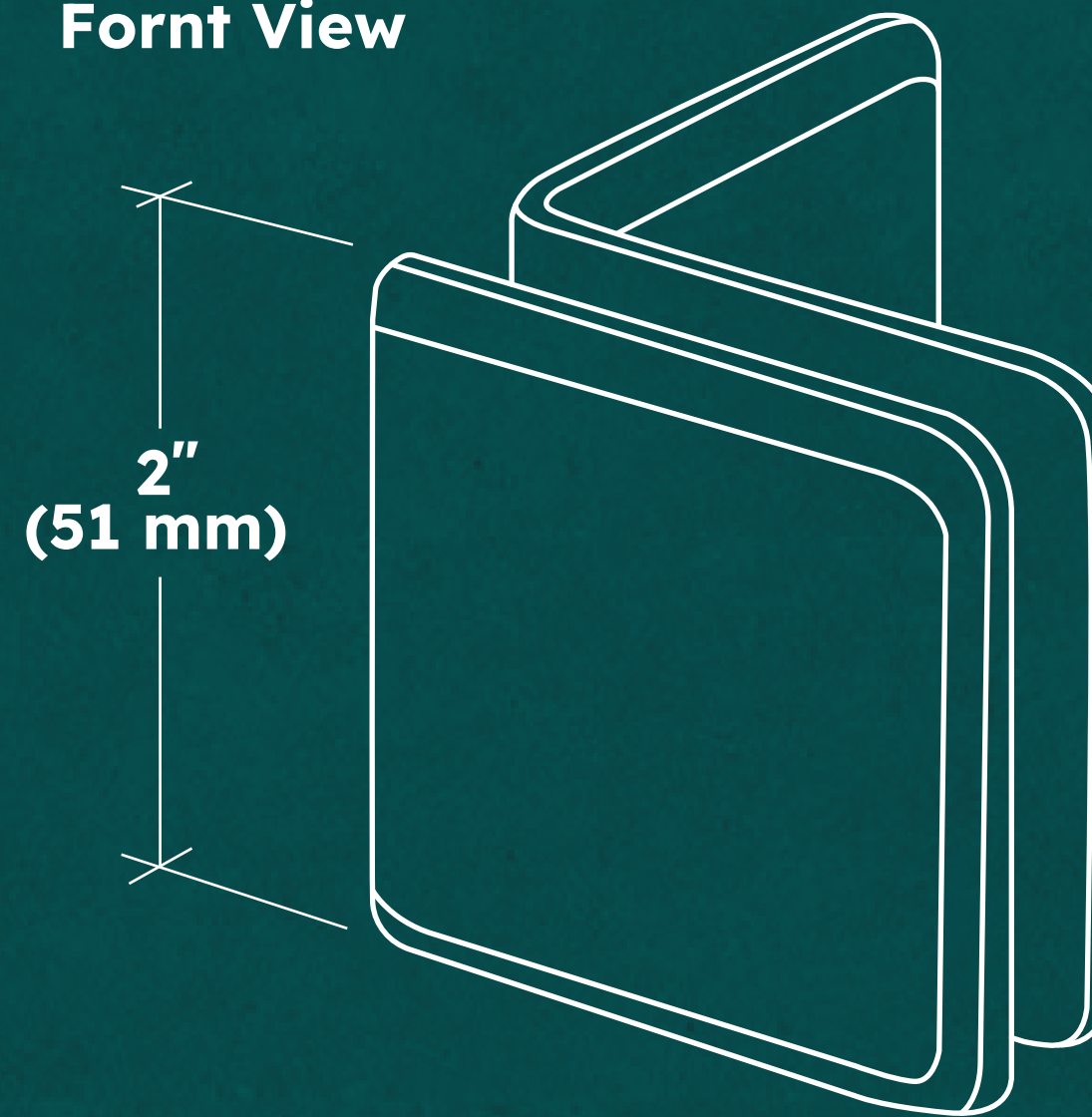
GLASS INSTRUCTIONS:

Only use tempered safety glass. To prevent damage to the clamp finish during installation, do not use power tools when installing these clamps.

CARE & CLEANING GUIDELINES:

For best results, keep the following recommendations in mind when caring for your FHC shower door hardware. Your shower door hardware should be dried daily with a soft towel or cloth to insure its original finish. Do not use harsh cleaners or chemicals on the hardware, as many of the components are coated with a clear lacquer that will become damaged beyond repair. Always test your cleaning solution in an inconspicuous area prior to cleaning the entire hardware surface. Wipe surfaces clean using a soft dampened cloth or sponge and rinse completely with warm water immediately after applying the cleaning solution. Use only small amounts of liquid, gentle cleaner. Never use abrasive products, sponges, or wire scrub brushes while cleaning hardware.

Beveled Profile
Front View



90 degree
Mounting Leg

Heavy-Duty Wall Mount Clamp Beveled Profile With 90 degree Large mounting Leg

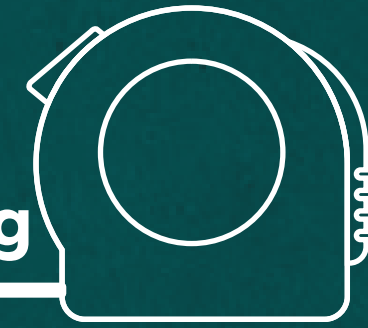


SKU. BGC50L



USE ONLY
MONOLITHIC
TEMPERED GLASS

Do not measure/scale drawing



Use dimensions shown

Cutout No. SD1

TYPICAL INSTALLATION



IMPORTANT:
Measure from finished
Edge of Glass

