

# Heavy-Duty Wall Mount Clamp Beveled Profile With 90 degree Large mounting Leg



SKU. BGC50L

## SPECIFICATIONS:

**Glass Sizes:** 3/8" to 1/2" (10 to 12 mm) Tempered Glass Only  
**Construction:** Solid Brass  
**Cutout Required:** Cutout No. SD49  
**Includes:** Clamp body, glazing gaskets, mounting screws, and fabrication template.  
**Use:** Residential Bath and Commercial Hotel Applications

## GASKET SPECIFICATIONS:

For 3/8" (10mm) Glass: Use One Thick Gasket On Each Side For  
 1/2" (12mm) Glass: Use One Thin Gasket On Each Side

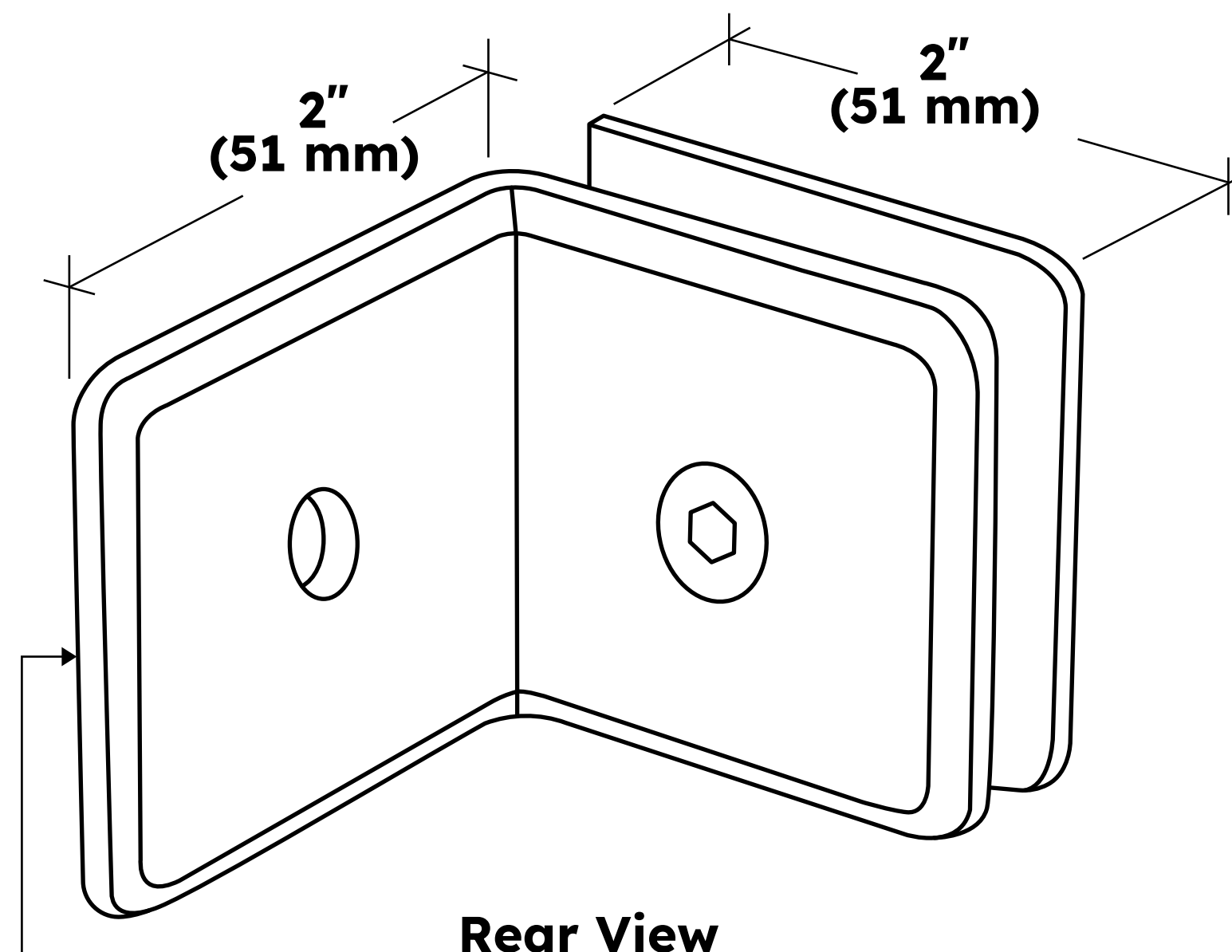
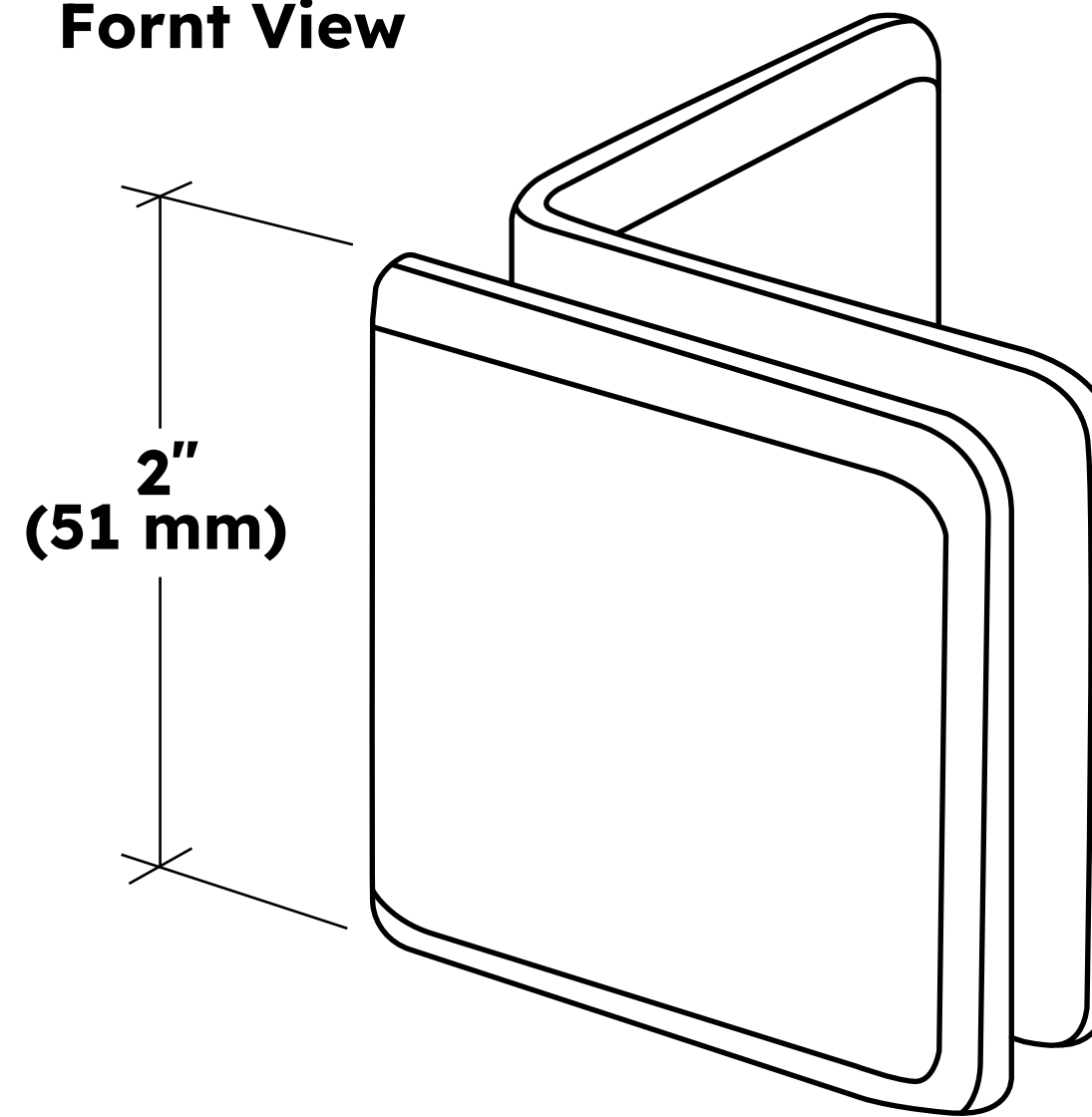
## GLASS INSTRUCTIONS:

Only use tempered safety glass. To prevent damage to the clamp finish during installation, do not use power tools when installing these clamps.

## CARE & CLEANING GUIDELINES:

For best results, keep the following recommendations in mind when caring for your FHC shower door hardware. Your shower door hardware should be dried daily with a soft towel or cloth to insure its original finish. Do not use harsh cleaners or chemicals on the hardware, as many of the components are coated with a clear lacquer that will become damaged beyond repair. Always test your cleaning solution in an inconspicuous area prior to cleaning the entire hardware surface. Wipe surfaces clean using a soft dampened cloth or sponge and rinse completely with warm water immediately after applying the cleaning solution. Use only small amounts of liquid, gentle cleaner. Never use abrasive products, sponges, or wire scrub brushes while cleaning hardware.

Beveled Profile  
Front View

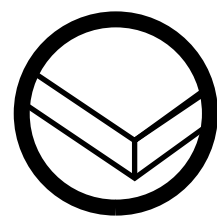


90 degree  
Mounting Leg

# Heavy-Duty Wall Mount Clamp Beveled Profile With 90 degree Large mounting Leg



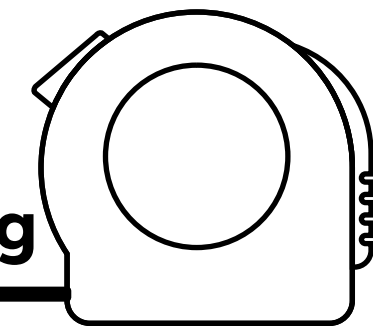
SKU. BGC50L



USE ONLY  
MONOLITHIC  
TEMPERED GLASS

Do not measure/scale drawing

Use dimensions shown



Cutout No. SD1

## TYPICAL INSTALLATION



**IMPORTANT:**  
Measure from finished  
Edge of Glass

