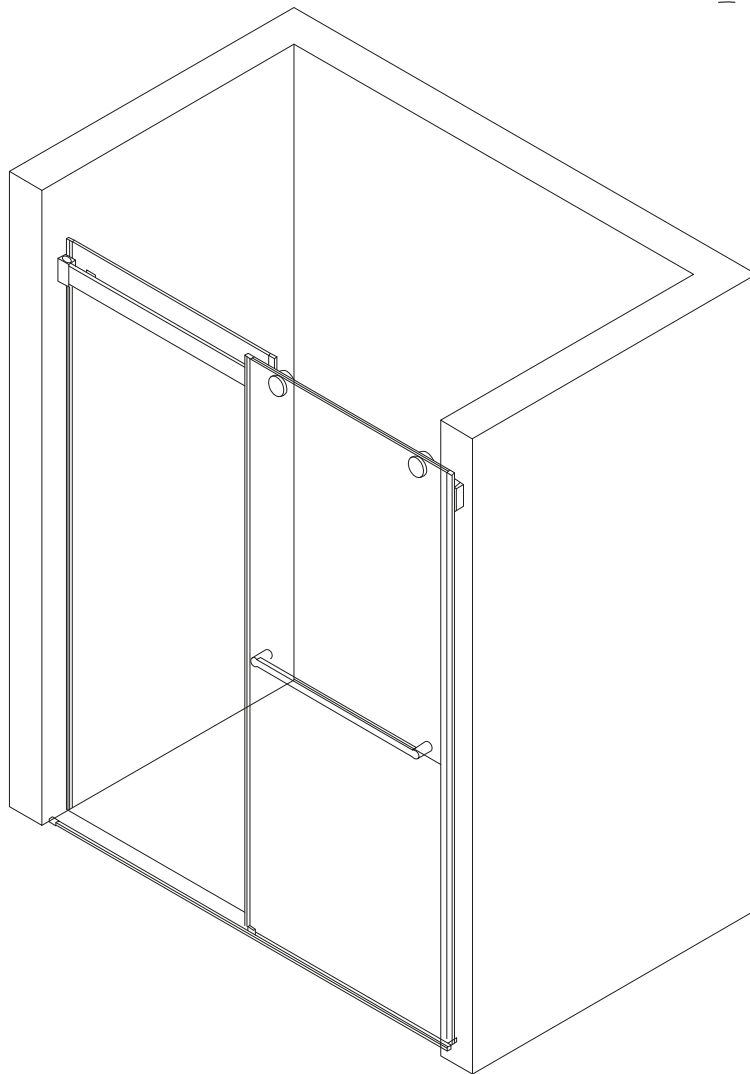


# INSTALLATION INSTRUCTIONS

## GLAZE CROWN FRAMELESS DOUBLE BYPASS SLIDING SYSTEM CROWN-SYSTEM SLIDING DOOR KIT.



**GLAZE**  
HARDWARE

(813) 922-2309  
[glazehardware.com](http://glazehardware.com)

---

## Recommendations:

Use only tempered safety glass.

Do not use power tools for tightening the hinge clamping plate

## Maintenance Guidelines:

All Glaze Hardware hinges are factory greased to ensure a quiet, hassle-free installation. Suppose there is any noticeable squeaking that occurs after installation. In that case, applying a few drops of (3 in 1) multi-purpose oil to the hinge at the nylon washer/pivot location is recommended. If, for some reason, the hinge is disassembled during maintenance, use a small amount of white lithium grease to lubricate the interior hinge components. The lubricant will penetrate the hinge crevices, reducing friction and cleaning grime and buildup. The use of spray lubricants is prohibited.

### Specifications:

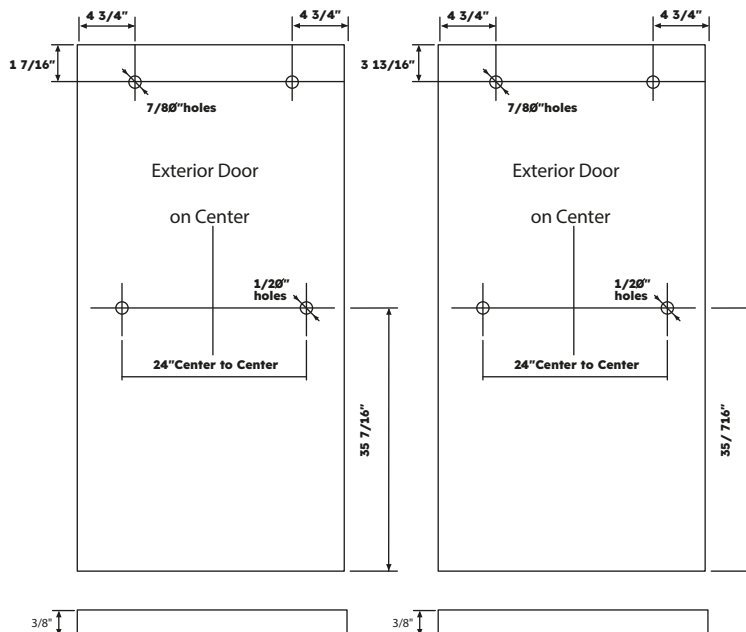
Min. Curb Width = 3 3/8"

Height of Header track = Overall height - 4 13/16" (See page 7)

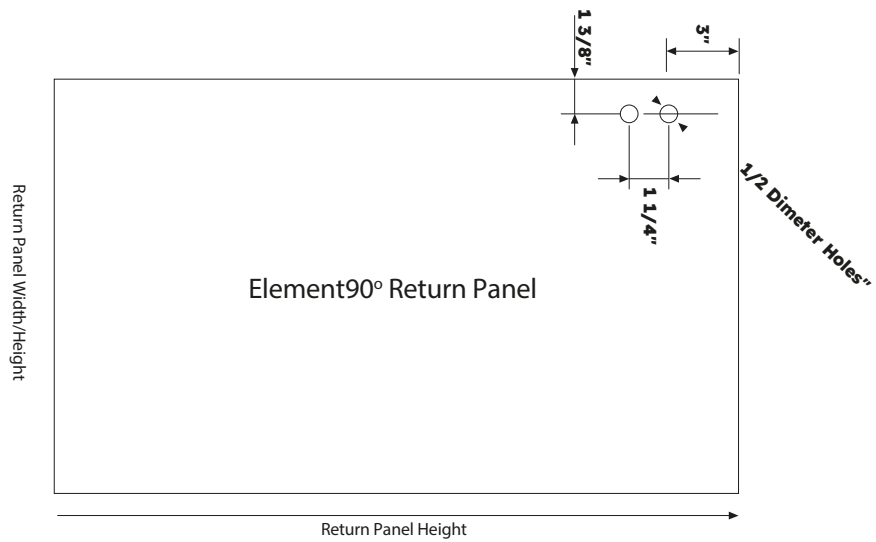
### Glass size formula

Suggested Glass Height = Overall Height - 3/8"

Suggested Glass Width = (Overall Width / 2) + 1" On each panel for an overall overlap of 2"

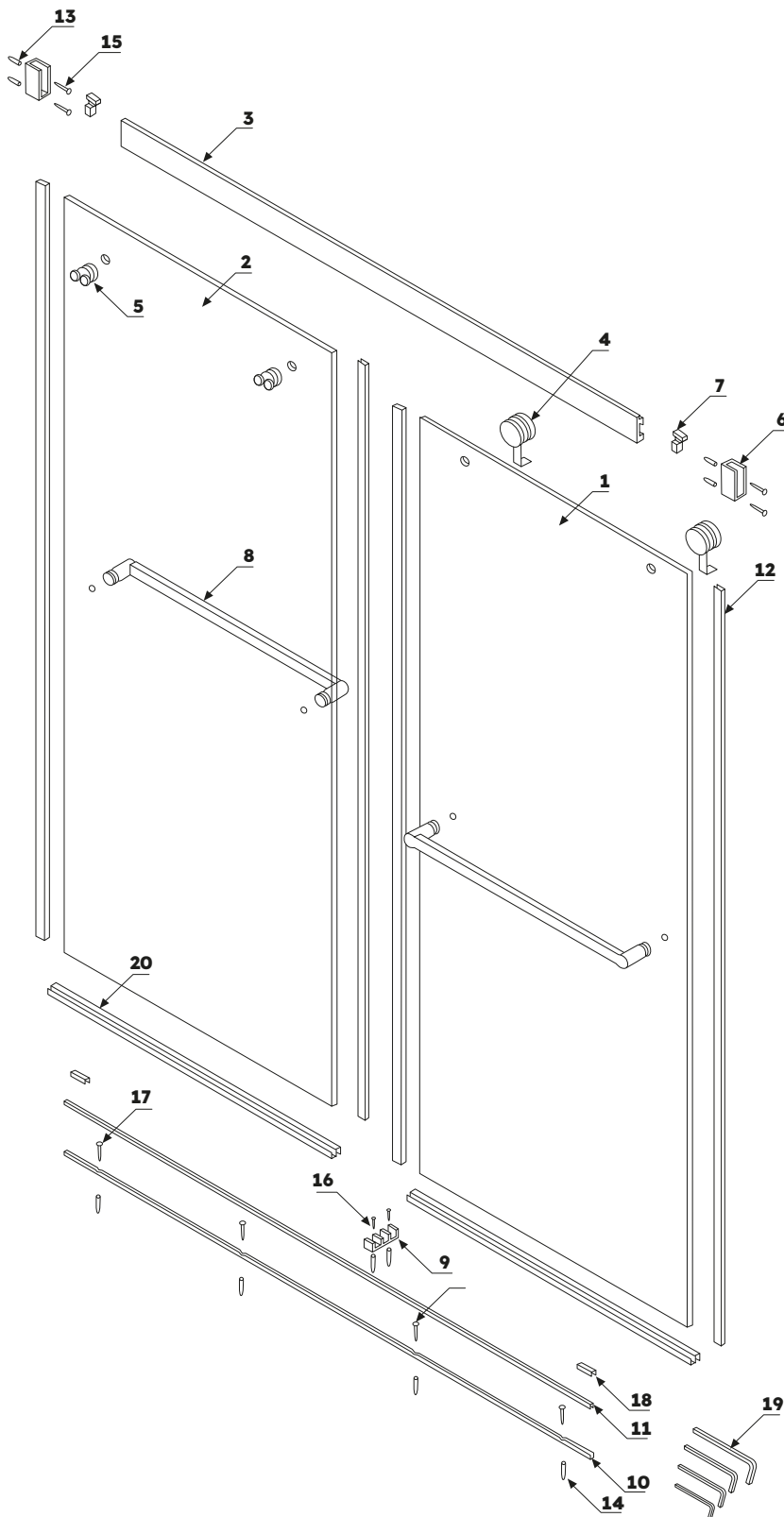


# CROWN FRAMELESS DOUBLE BYPASS SLIDING SYSTEM

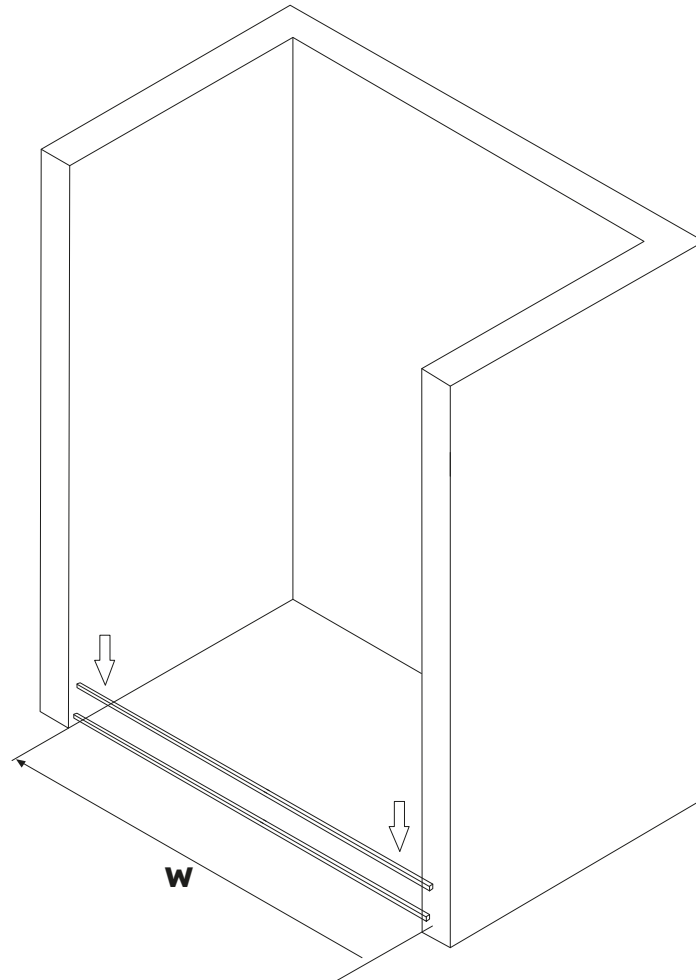


GUIDER RAL 1PC	EXTERIOR ROLLER 2PC	INTERIOR ROLLER 4PC	WALL BRACKET 2PC
HANDLE 2PC  (OPTIONAL)	BOTTOM GUIDE 1PC	BUMPER STRIP 4PC	ANCHOR 6PC  Ø8 X 40
ANCHOR 6PC  Ø6 X 30	SCREW 4PC  ST4 X 30	THRESHOLD 1PC	THRESHOLD COVER 1PC
SCREW 6PC  ST5 X 40	SCREW 2PC  ST5 X 25	DOOR STOPPER 2 PC	BOTTOM SWEEP PC

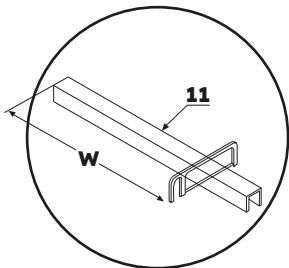
# CROWN FRAMELESS DOUBLE BYPASS SLIDING SYSTEM



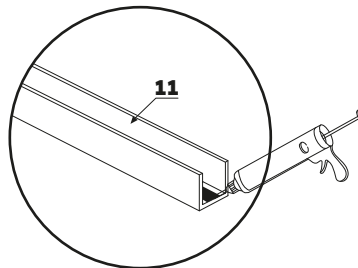
1. EXTERIOR DOOR	1PC
2. INTERIOR DOOR	1PC
3. GUIDER RAIL	1PC
4. EXTERIOR ROLLER	2PC
5. INTERIOR ROLLER	2PC
6. WALL BRACKET	2PC
7. DOOR STOPPER	2PC
8. HANDLE	2PC
9. BOTTOM GUIDER	2PC
10. THRESHOLD	1PC
11. THRESHOLD COVER	1PC
12. BUMPER STRIP	4PC
13. ANCHOR	6PC
14. ANCHOR	6PC
15. SCREW M5X40	6PC
16. SCREW M4X25	2PC
17. SCREW	4PC
18. COVER	2PC
19. HEX KEY	2PC
20. BOTTOM SWEEP	2PC



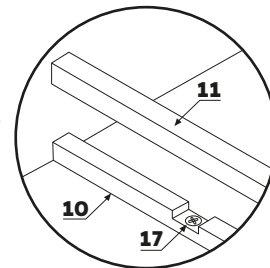
1. Threshold cover goes on top of the threshold



2. Cut threshold cover to overall opening width (w)



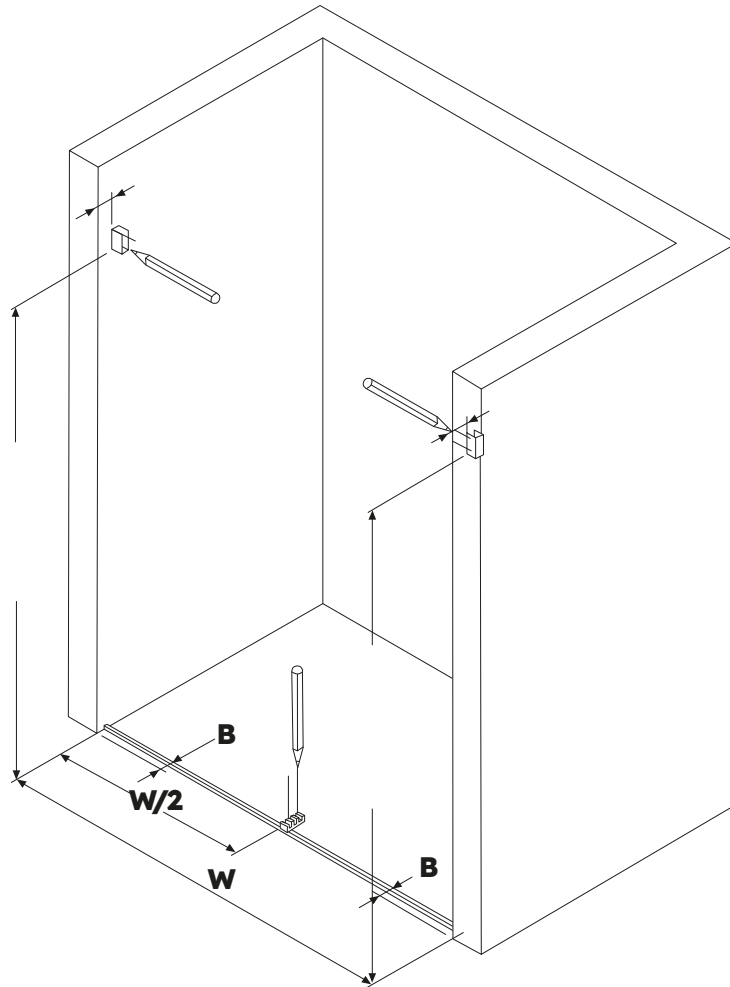
3. Apply silicone to the inside of threshold cover



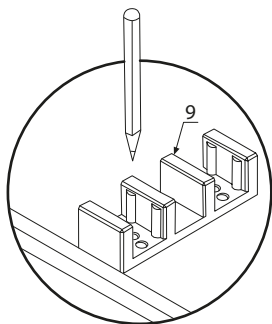
4. Cover the threshold with the threshold cover.

# CROWN FRAMELESS DOUBLE BYPASS SLIDING SYSTEM

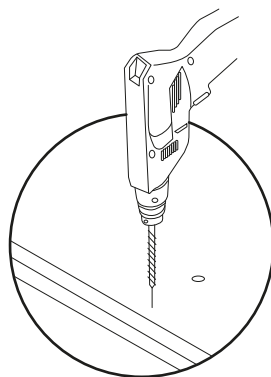
## BOTTOM GUIDE INSTALLATION



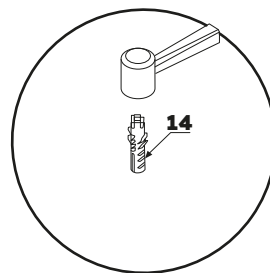
1. Locate bottom guide against the center of the threshold.



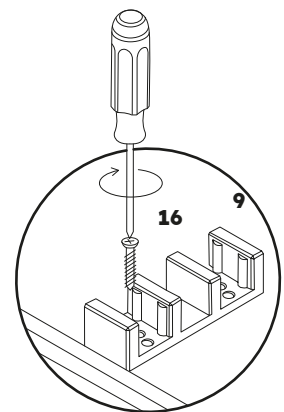
2. Mark location  
Of the holes



3. Drill  $\varnothing$  1/4" holes

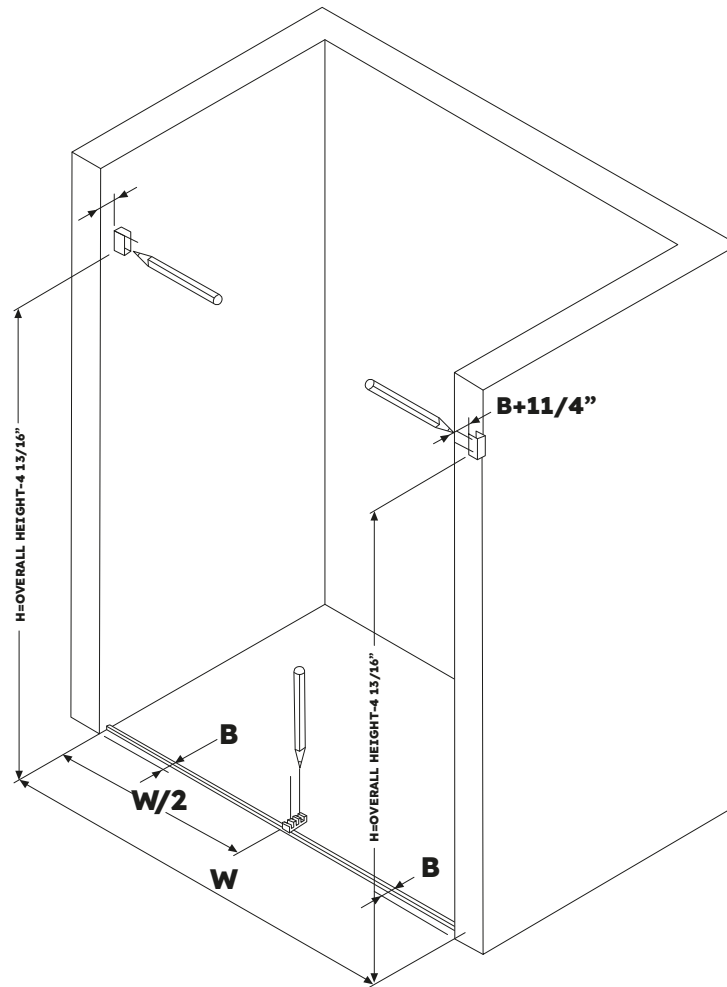


4. Hammer in  $\varnothing$   
1/4" anchors in  
holes

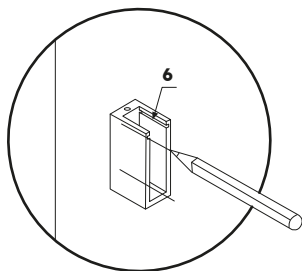


5. Secure bottom  
guide with  
screws.

# CROWN FRAMELESS DOUBLE BYPASS SLIDING SYSTEM



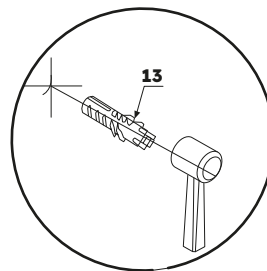
1. Locate wall brackets in place.



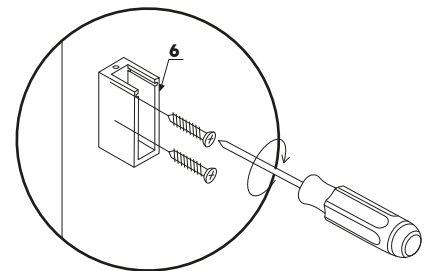
2. Mark location  
Of the holes



3. Drill  $\varnothing$  1/4"  
holes



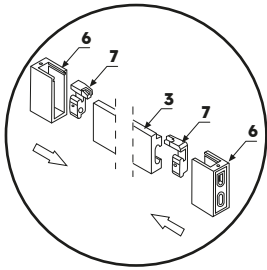
4. Hammer in  $\varnothing$   
1/4" anchors in  
holes



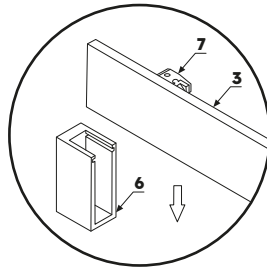
5. Secure bottom  
Guide with screws.

## CROWN FRAMELESS DOUBLE BYPASS SLIDING SYSTEM

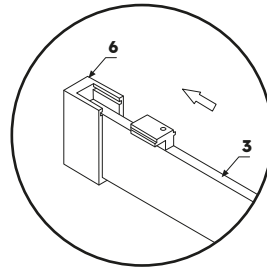
### HEADER TRACK INSTALLATION



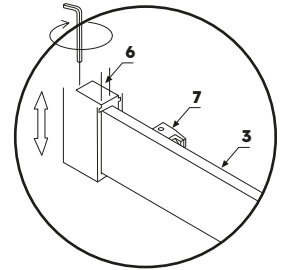
1. Slide door stoppers into the header track.



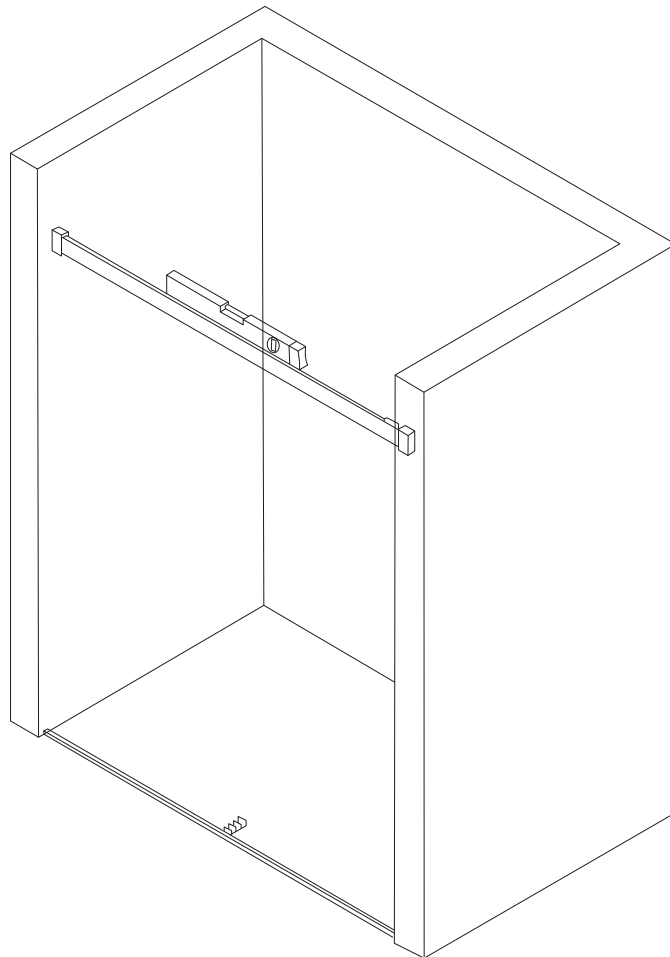
2. Slide header track onto the wall brackets



3. Slide top caps into the wall brackets.



4. Use allen key to secure the top cap. Use adjustability screw on the base to level the header track.

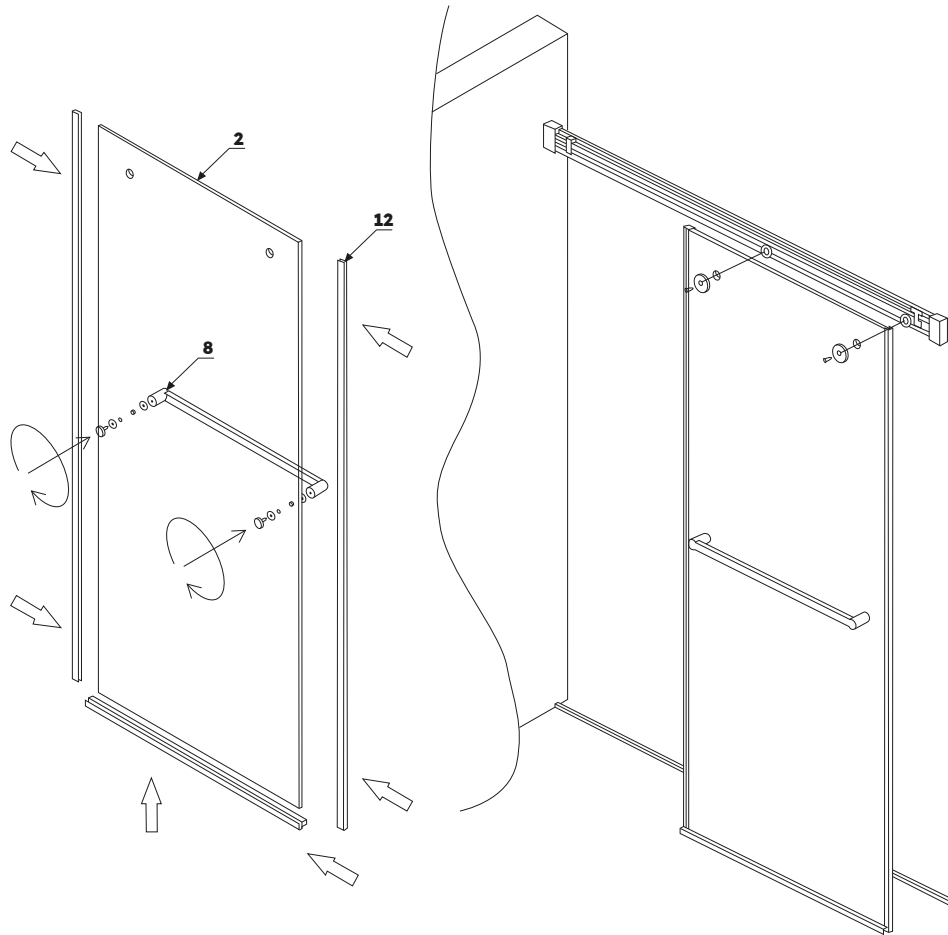


5. Adjust header track until its completely horizontal.

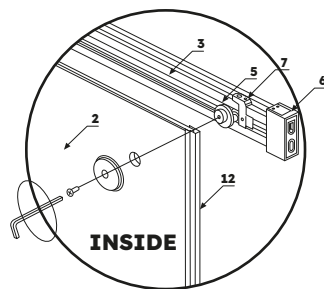


# CROWN FRAMELESS DOUBLE BYPASS SLIDING SYSTEM

## SLIDING DOORS INSTALLATION

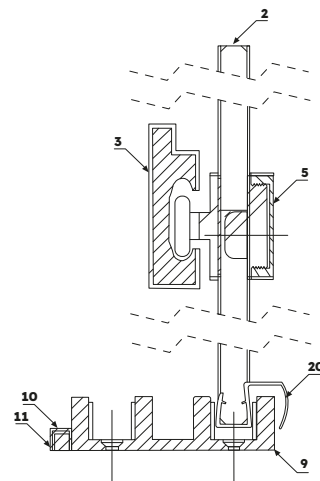


1. Place bumper strips and bottom sweep on the glass doors according to the diagram below.



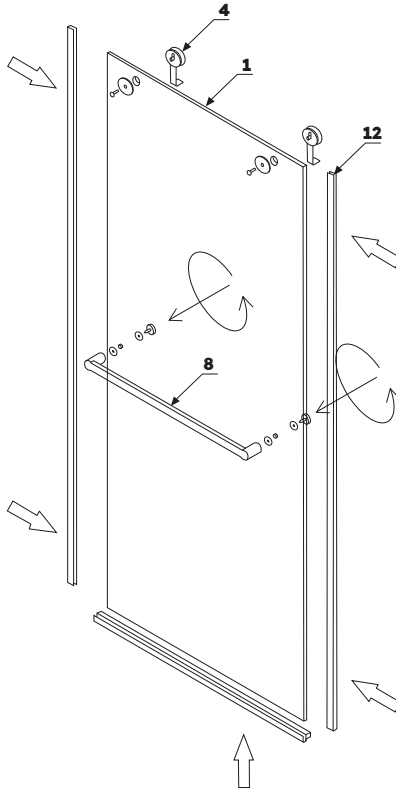
**INSIDE**

2. Install interior door on header track according to the diagram below

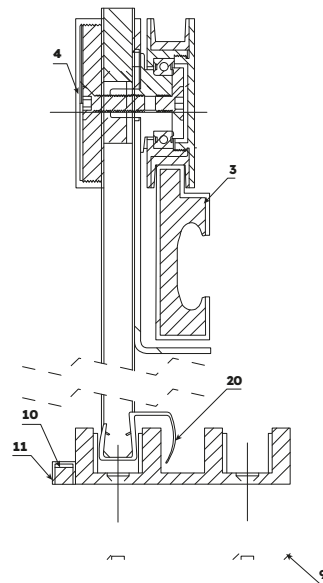
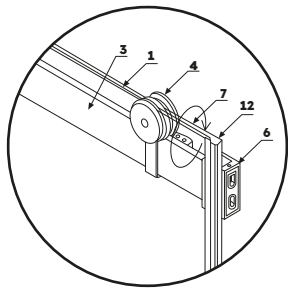
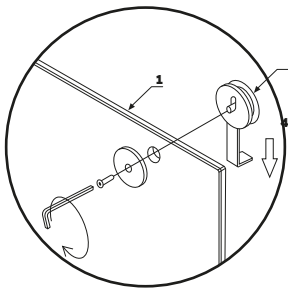


**INTERIOR DOOR PROFILE**

# CROWN FRAMELESS DOUBLE BYPASS SLIDING SYSTEM



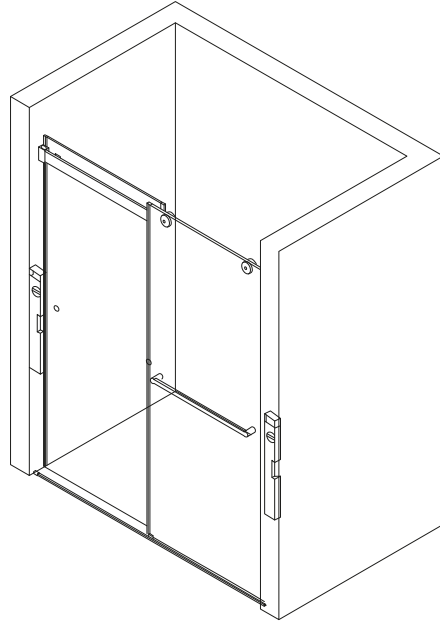
1. Place bumper strips and bottom sweep on the glass doors according to the diagram below.



**EXTERIOR DOOR PROFILE**

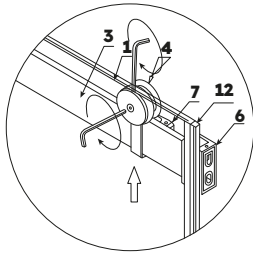
2. Install interior door on header track according to the diagram below

# CROWN FRAMELESS DOUBLE BYPASS SLIDING SYSTEM

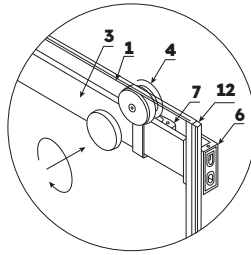


1. Level both glass doors until they are parallel with the wall

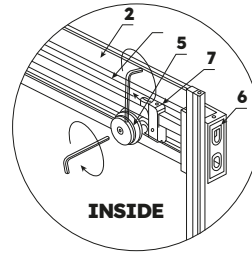
Anti-jumping device should be pulled down during installation and pushed back up towards bottom of the header, 1/16 spacing



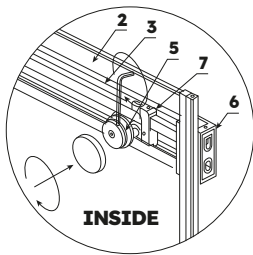
2. Use adjustability screw to level the rollers and secure them in the header



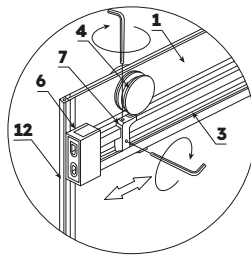
3. Screw cap on roller to cover the screws



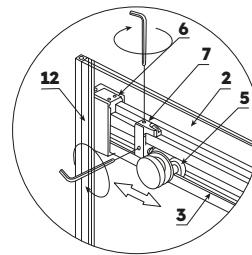
4. Use adjustability screw to level the rollers and secure them in the header



5. Screw cap on roller to cover the screws.

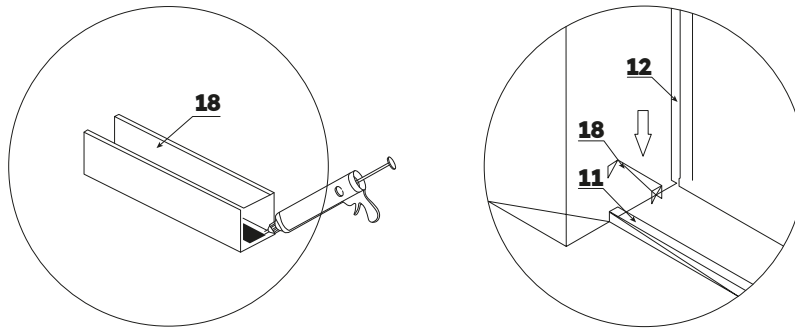


6. Secure door stoppers in place

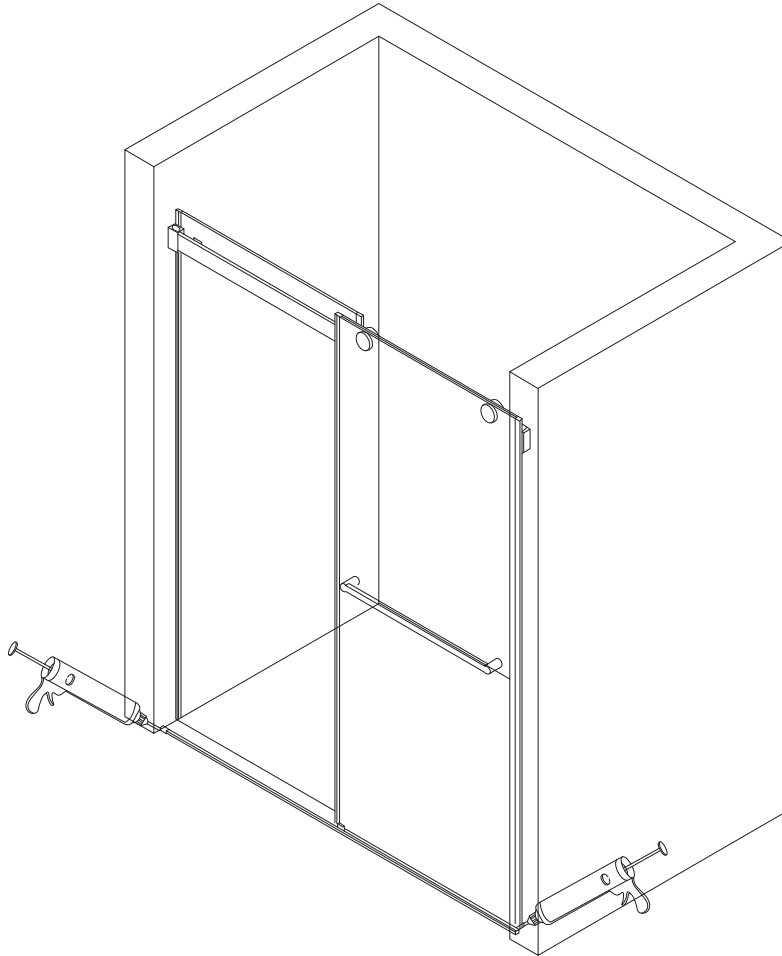


7. Secure door stoppers in place

## CROWN FRAMELESS DOUBLE BYPASS SLIDING SYSTEM



1.If needed, apply threshold cover extensions (provided with the kit) with silicone at the ends of the threshold



2.Seal entire unit using silicone. Allow a minimum of 24 hours for silicone to cure before using unit (time may vary depending on temperature and humidity)