

Regal Series Offset Hinge

SHOWER HINGE TEMPLATE

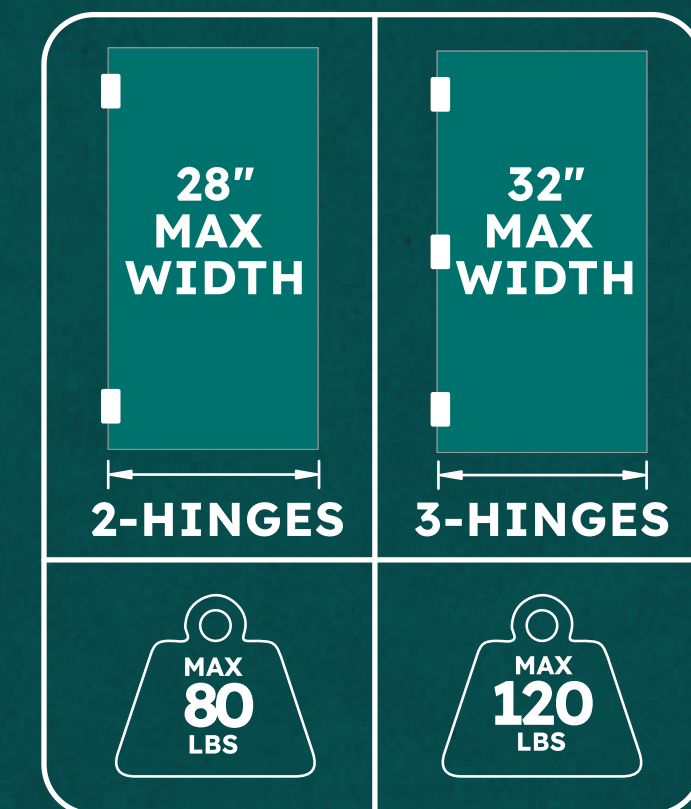
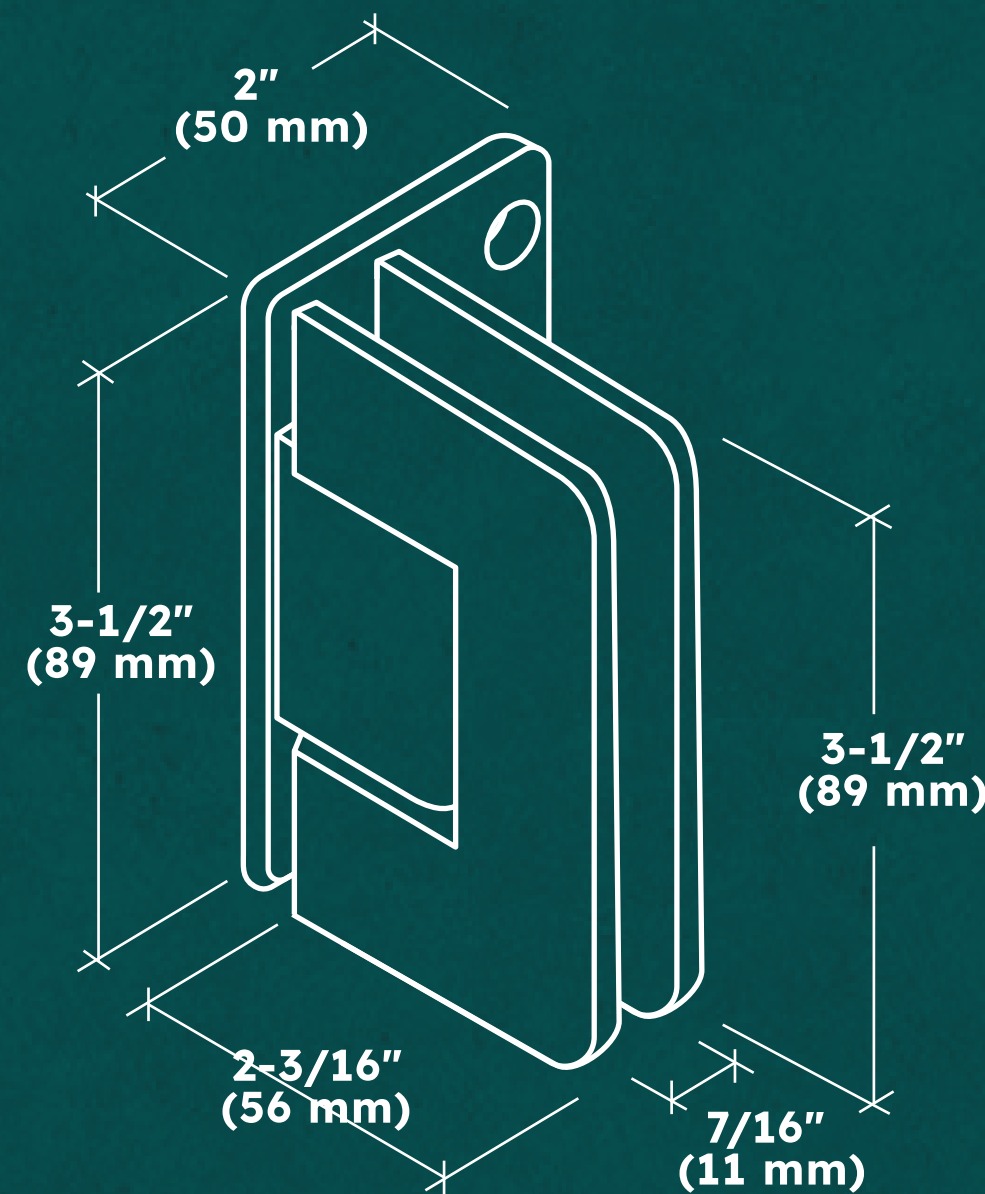


Wall Mount Hinge - Offset Back Plate

SKU. REG10-OS

Specifications:

Glass Sizes: 3/8" to 1/2" (10 to 12 mm) Tempered Glass Only
Construction: Solid Brass with HD Stainless Steel Back Plate
Closing Type: Self-Centering When Within 15 Degrees of Closed Position
Cutout Required: Cutout No. SD1
Includes: Hinge body, glazing gaskets, wall mounting screws, allen head/phillips head cover plate screws, and fabrication template.
Use: Residential Bath and Commercial Hotel Applications



GASKET SPECIFICATIONS:

For 3/8" (10mm) Glass:
Use One Thin Gaskets On Each Side

For 1/2" (12mm) Glass:
Use One Thin Gaskets On Each Side

GLASS INSTRUCTIONS:

Only use tempered safety glass. To prevent damage to the hinge finish. Installing these hinges should not be performed with power tools.

IMPORTANT INFORMATION:

The Regal Series Hinge has a dual-degree pivot pin. It comes factory set at 90 degrees for everyday door-closing applications. For jobs requiring firmer support against the jamb or seal, the hinge pivot pin can also be adjusted in the field to add an additional 5 degrees of closing.

 **SEE TEMPLATE ON BACK**
Refer to Dimensions Shown to Ensure Accuracy

CARE & CLEANING GUIDELINES:

Keep the following recommendations in mind for maximum results when caring for your Glaze shower door hardware. Your shower door should be dried daily with a soft towel or cloth to ensure its original finish. Do not use harsh cleaners or chemicals on the hardware, as many of the components are coated with a clear lacquer that will become damaged beyond repair. Always test your cleaning solution in an inconspicuous area before wiping the entire hardware surface. Wipe surfaces with a soft, dampened cloth or sponge, and rinse with warm water immediately after applying the cleaning solution. Use only small amounts of a gentle, liquid cleaner. When cleaning hardware, don't use wire scrub brushes, or abrasive products.

MAINTENANCE:

All Glaze Hardware hinges are factory greased to ensure a quiet, hassle-free installation. Suppose there is any noticeable squeaking that occurs after installation. In that case, applying a few drops of (3 in 1) multi-purpose oil to the hinge at the nylon washer/pivot location is recommended. If, for some reason, the hinge is disassembled during maintenance, use a small amount of white lithium grease to lubricate the interior hinge components. The lubricant will penetrate the hinge crevices, reducing friction and cleaning grime and buildup. The use of spray lubricants is prohibited.

MAXIMUM DOOR CAPACITY	3/8" (10MM) GLASS Approx. 5 lb/ft ²	1/2" (12 mm) GLASS Approx. 6.4 lb/ft ²
	DOOR WEIGHT	DOOR WIDTH
USING 2 HINGES	80 LBS. (36 kg)	28" (711 mm)
USING 3 HINGES	120 LBS. (54 kg)	32" (813 mm)
Note: Do not exceed either maximum weight or width when choosing proper quantity of hinges		

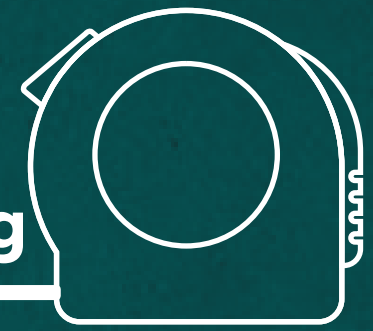
Regal Series Offset Hinge

SHOWER CLAMP TEMPLATE



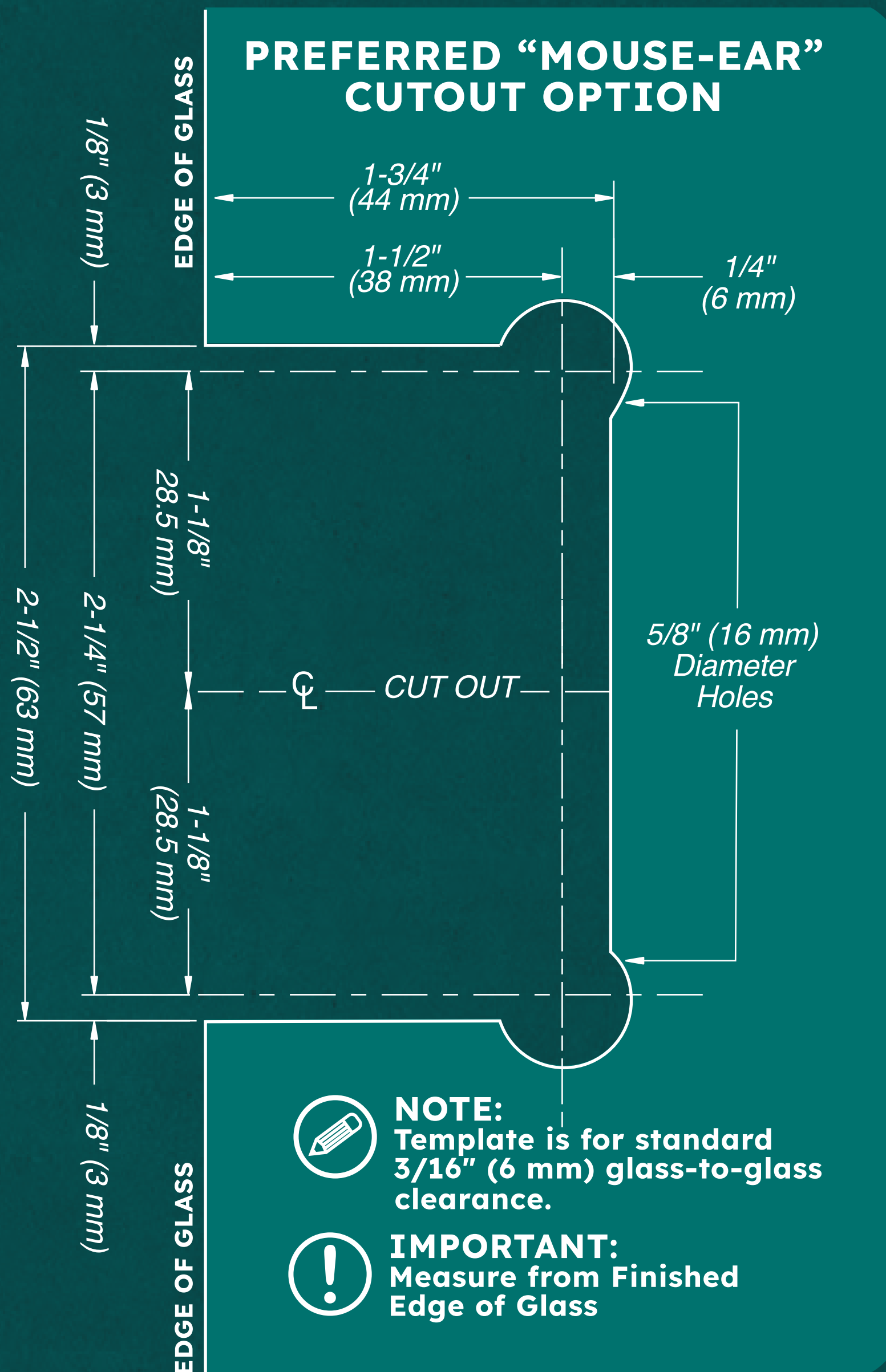
Wall Mount Hinge - Offset Back Plate
SKU. REG10-OS

Do not measure/scale drawing



Use dimensions shown

Cutout No. SD1



USE ONLY
MONOLITHIC
TEMPERED GLASS