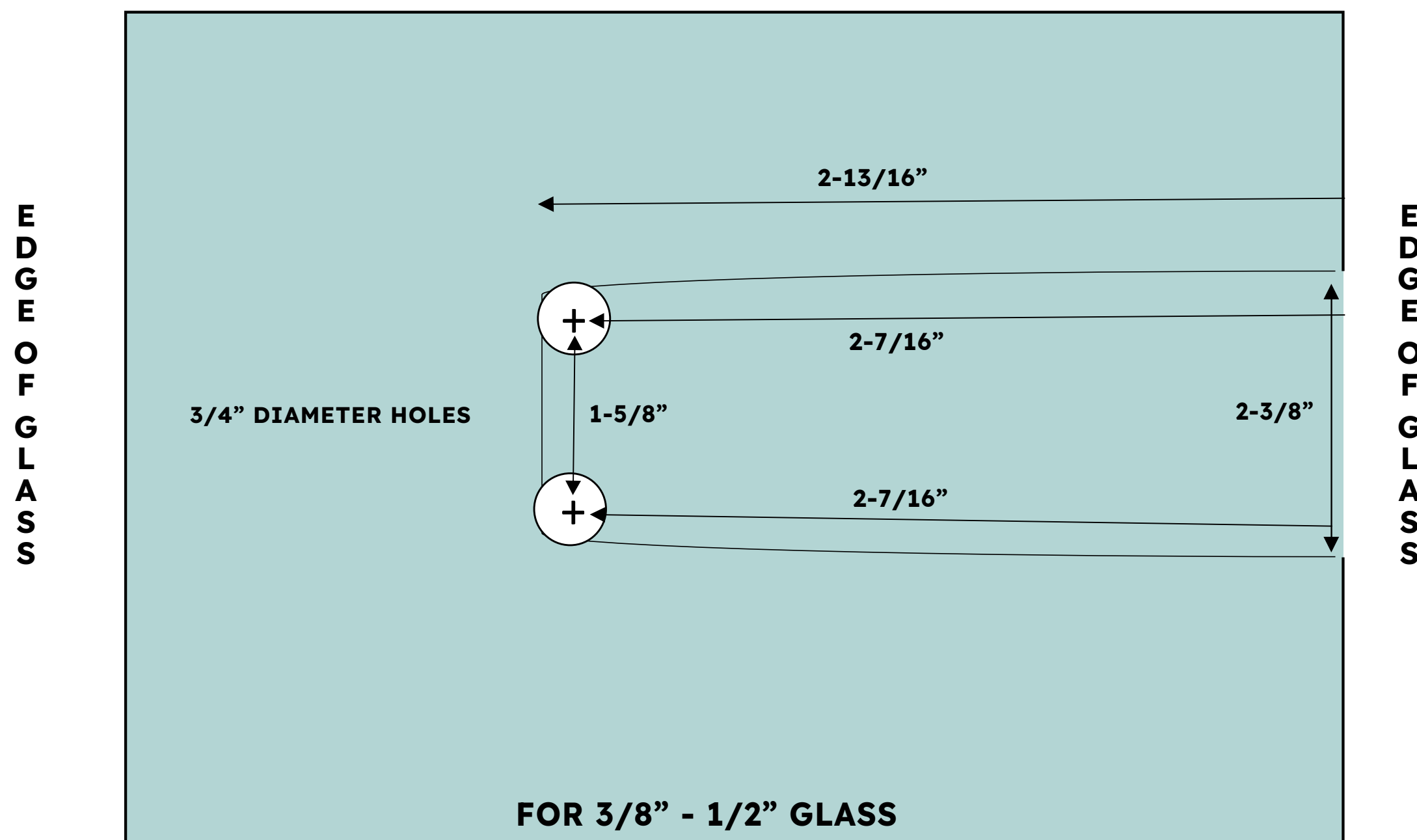


# L900 Series Glass-Mounted



## Strike Keeper SKU. GLS900-SK



### Specifications:

**Glass Sizes:** 3/8" to 1/2" (10 - 12 mm) thick tempered safety glass  
**Construction:** Stamped body with finished cover plates  
**Closing Type:** Compatible with Link Hardware L900 Series Latch and Strike  
**Cutout Required:** N/A  
**Includes:** Strike Keeper assembly

### GASKET SPECIFICATIONS:

For 3/8" (10mm) Glass: Use one thick gasket on each side  
For 1/2" (12mm) Glass: Use one thin gasket on each side

### GLASS INSTRUCTIONS:

Only use tempered safety glass. To prevent damage to the hinge finish. Installing these hinges should not be performed with power tools.

### CARE & CLEANING GUIDELINES:

Keep the following recommendations in mind for maximum results when caring for your Glaze shower door hardware. Your shower door should be dried daily with a soft towel or cloth to ensure its original finish. Do not use harsh cleaners or chemicals on the hardware, as many of the components are coated with a clear lacquer that will become damaged beyond repair. Always test your cleaning solution in an inconspicuous area before wiping the entire hardware surface. Wipe surfaces with a soft, dampened cloth or sponge, and rinse with warm water immediately after applying the cleaning solution. Use only small amounts of a gentle, liquid cleaner. When cleaning hardware, don't use wire scrub brushes, or abrasive products.

### MAINTENANCE:

All Glaze Hardware patch are factory greased to ensure a quiet, hassle-free installation. Suppose there is any noticeable squeaking that occurs after installation. In that case, applying a few drops of (3 in 1) multi-purpose oil to the patch at the nylon washer/pivot location is recommended. If, for some reason, the Patch is disassembled during maintenance, use a small amount of white lithium grease to lubricate the interior Patch components. The lubricant will penetrate the Patch crevices, reducing friction and cleaning grime and buildup. The use of spray lubricants is prohibited.