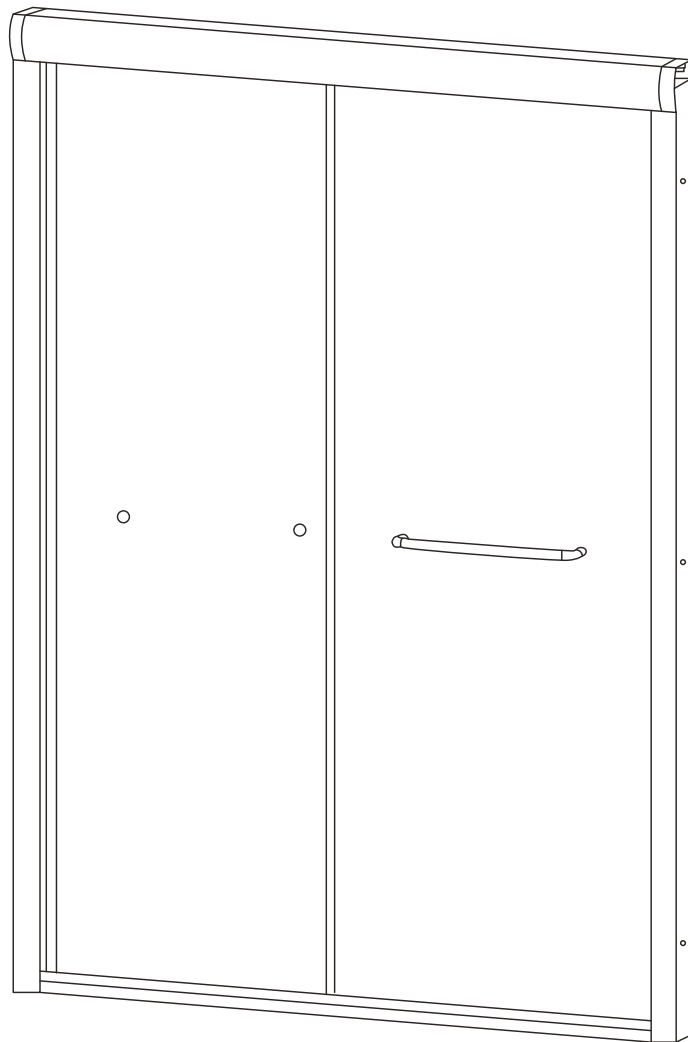


INSTALLATION INSTRUCTIONS

GLAZE LUMINOUS BYPASS K.D. SYSTEM LUM7280 - SLIDING DOOR KIT



NOTE: Glass and U-Channels not included.



5405 NW 102nd Ave, Sunrise FL 33351
Phone: (813) 922-2309
glazehardware.com

RECOMMENDATIONS:

Use only tempered safety glass.
Do not use power tools for tightening the hinge clamping plate.

MAINTENANCE GUIDELINES:

To ensure the longevity of your hardware, it's crucial to avoid using abrasive cleaners. Instead, a non-abrasive cloth or towel and a mild dish soap mixed with warm water can be used to clean the hardware. After washing, rinse the hardware with clean warm water and dry it with a soft towel. It's recommended to perform this cleaning routine after each use. To prevent mildew growth, leaving the shower door slightly open for air circulation is recommended. Additionally, using a plastic squeegee after showering is an effective way to remove excess moisture and prevent the formation of water spots, which can be difficult to remove. Be cautious when using a squeegee and use a plastic one instead of a metal one to avoid damaging the shower.

Specifications:

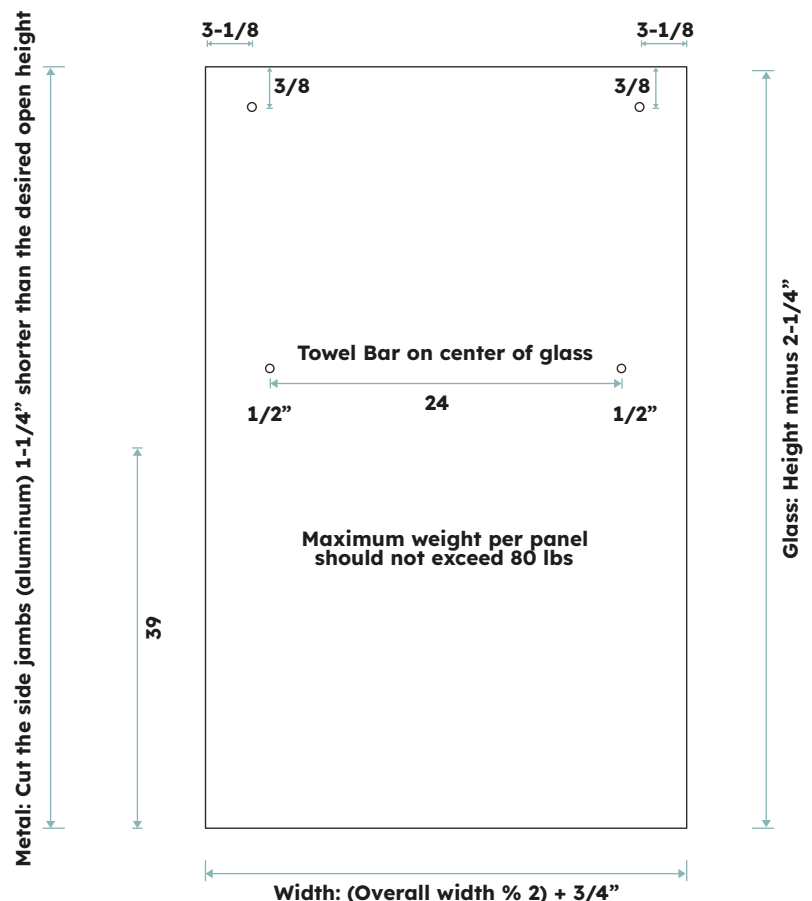
Glass sizes: $\frac{3}{8}$ " (10mm) thick tempered safety glass
Construction: Aluminum
Max system size: 72" x 80"

Frame Deductions:

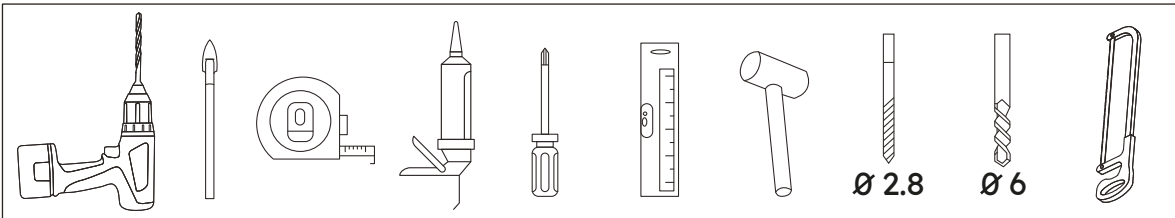
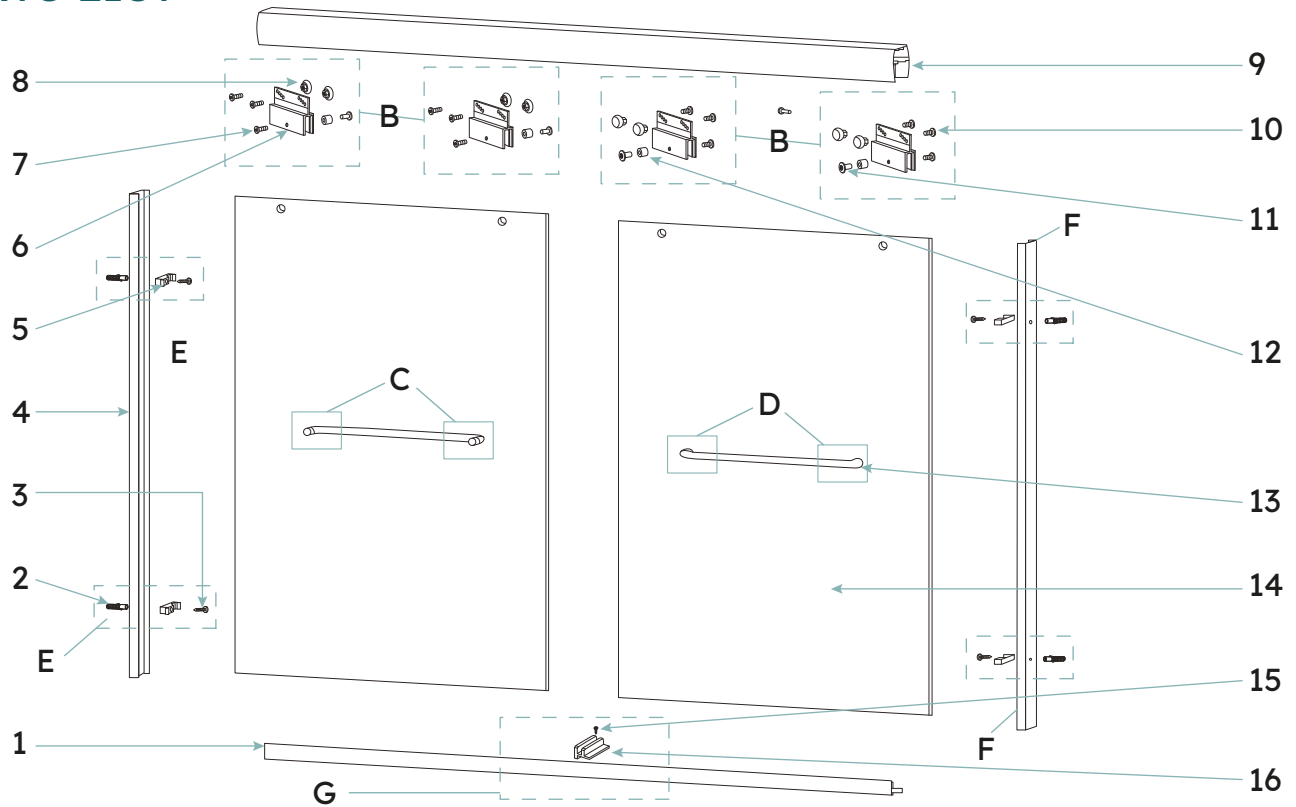
Bottom track: Overall width - $\frac{1}{8}$ " (6mm)
Side Jamb: Overall Height - $1\text{-}1\frac{1}{4}$ " (32mm)
Top Track: Overall Width - $\frac{1}{16}$ " (2mm)

Glass Deductions:

Width: (Overall width % 2) + $\frac{3}{4}$ "
Height: Overall Height - $2\text{-}1\frac{1}{4}$ "
***Suggested Overlap:** 2" with present deductions



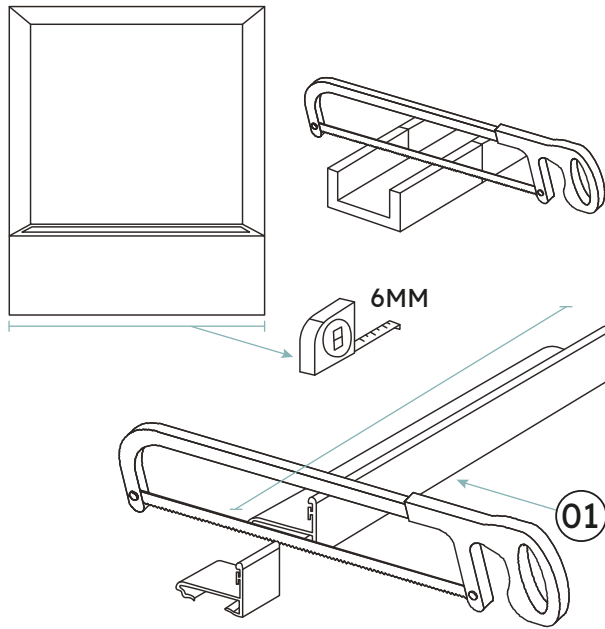
PARTS LIST



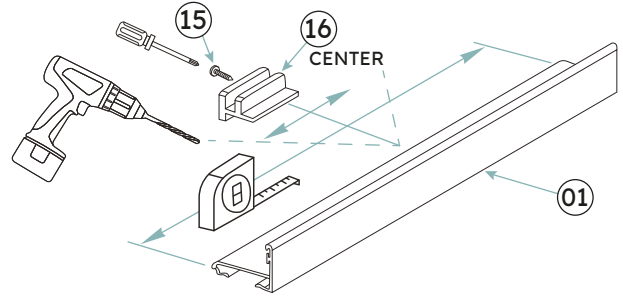
01 x1	02 x4	03 x4	04 x2	05 x4
06 x4	07 M4x12 x4	08 x8	09 x1	10 M4x12 x8
11 x4	12 x4	13 x2	14 x2	15 ST3.5x8 x1
16 x1				

FRAME FABRICATION

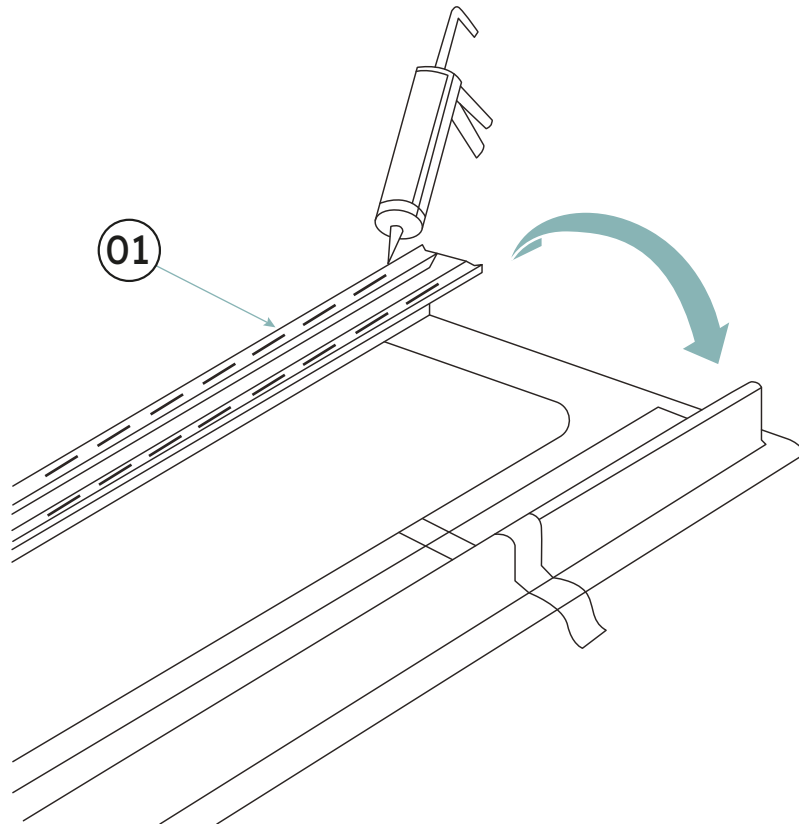
- ① Cut the bottom track (1) 1/8" (3mm) shorter than the opening. Place heavy blanket or quilt in shower area to protect shower floor.



- ② Install bottom guide (16) in center of bottom track (1). Then remove the bottom guide to install glass.

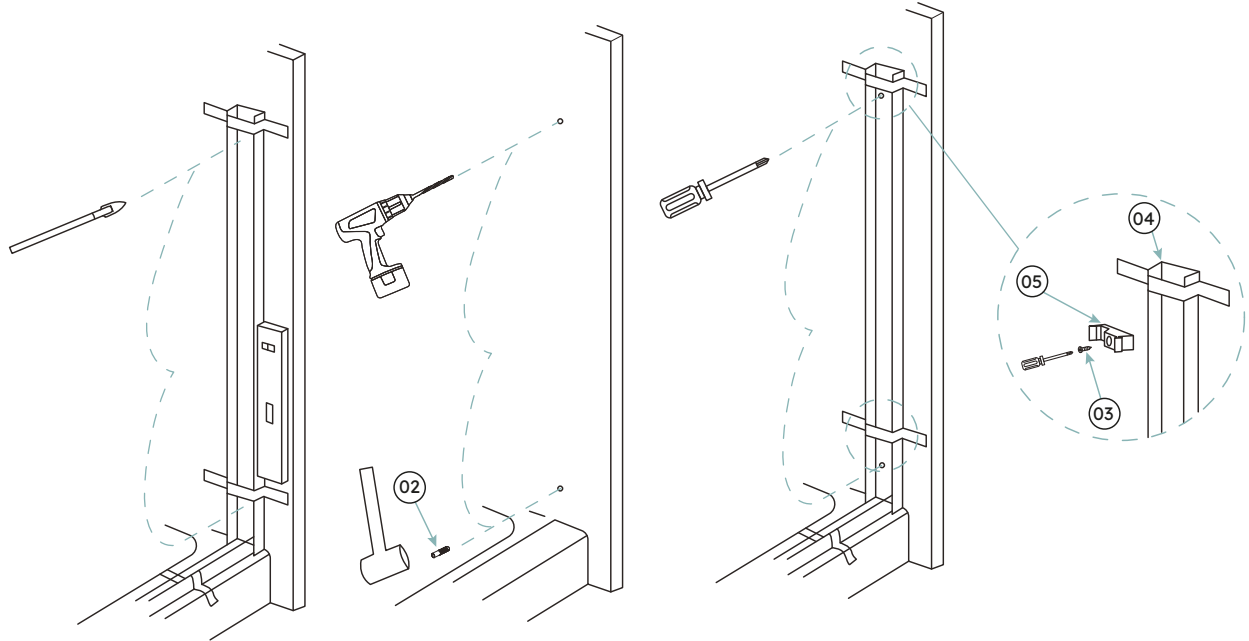


- ③ Caulk and install bottom track (1).

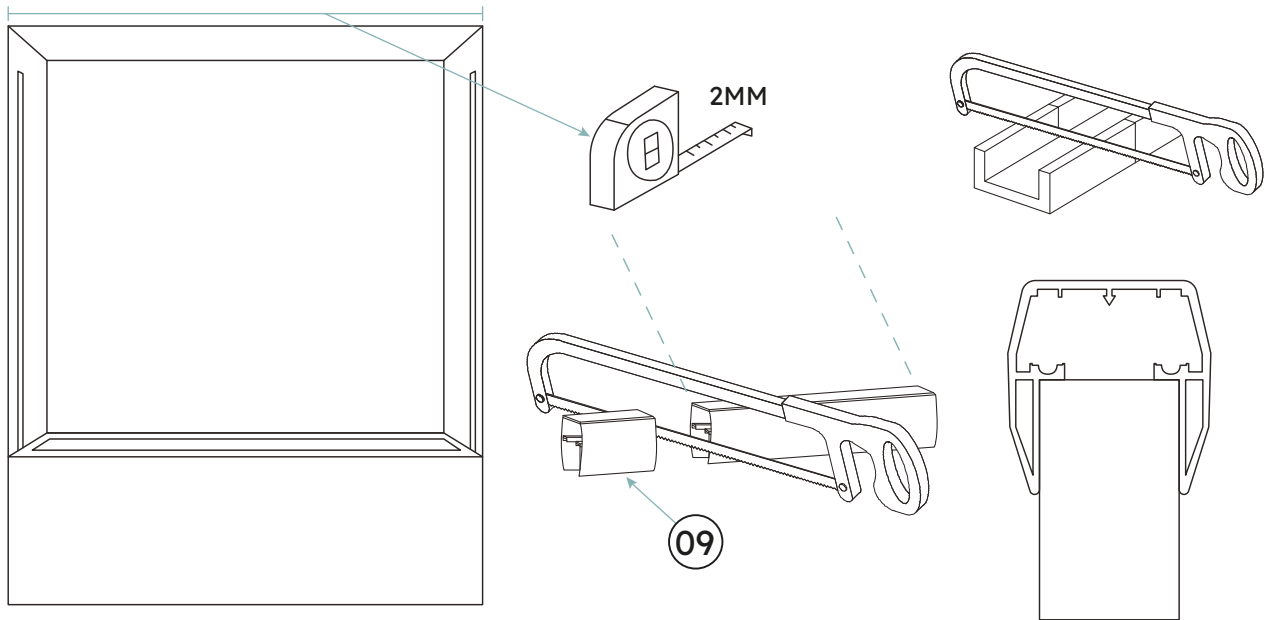


FRAME INSTALLATION

④ Install both wall jambs (4).

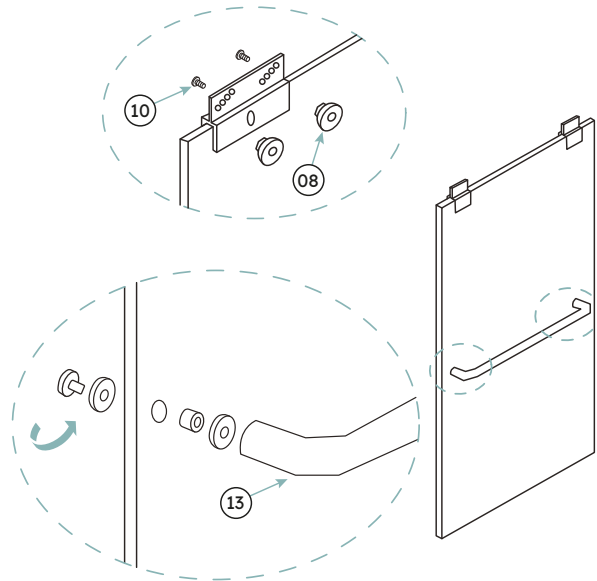


⑤ Cut the top trackt (9) 1/16" (2mm) shorter than the opening and install on wall Jamps.

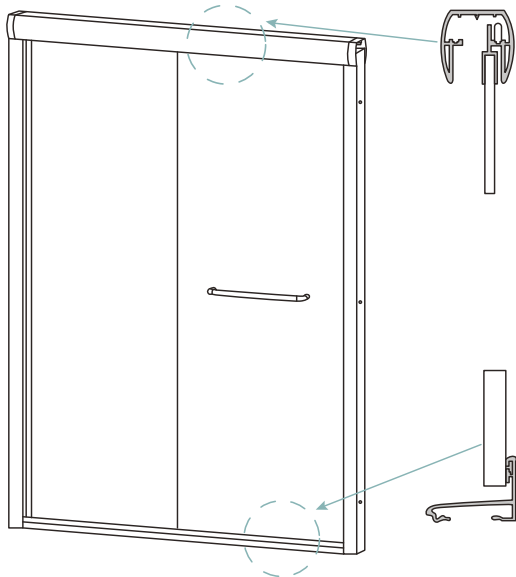
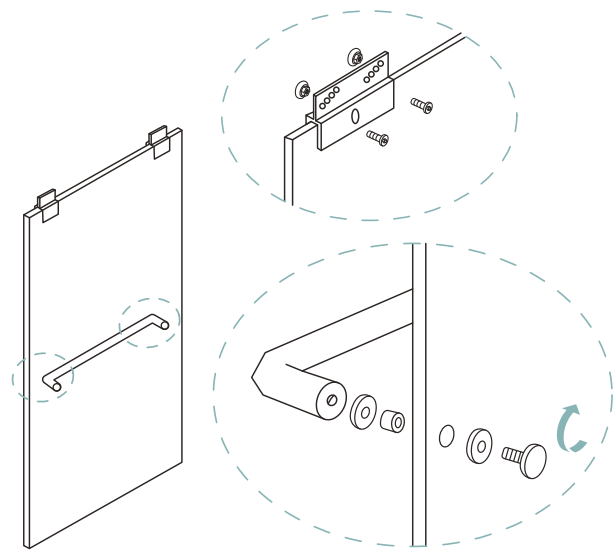


SLIDING DOOR INSTALLATION

⑥ Assemble and install front (outer) glass door.



⑦ Assemble and install rear (inner) glass door, Then install bottom guide (16)



⑧ Carefully caulk, allow 24 hours before use.

