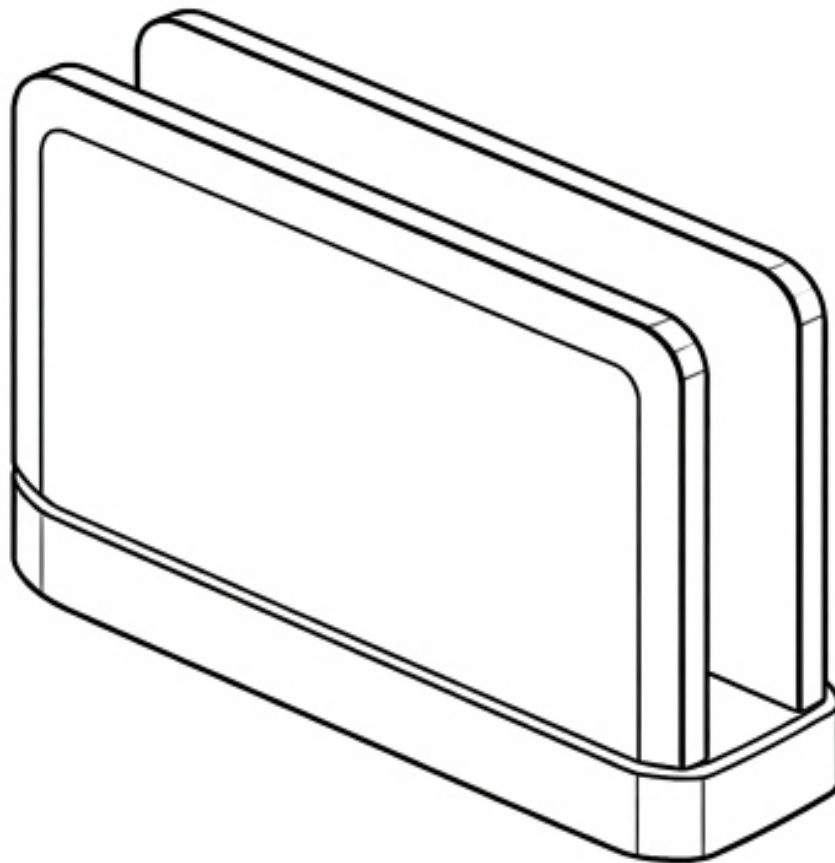


INSTALLATION INSTRUCTIONS

GLAZE MAJESTY SERIES Majesty Series s Pivot Hinge



Majesty Series Pivot Hinge

Top and Bottom Beveled Pivot Hinge

SKU. MAG360

Specifications:

Glass Sizes: 3/8" (10mm) to 1/2" (12mm) thick tempered safety glass
Construction: Solid brass

Closing Type: Self-centering when within 15° of closed position
Cutout Required

Includes: Gaskets, screws and template

Use of Gaskets:

For 3/8"(10mm) Glass: Use one thick gasket on each side

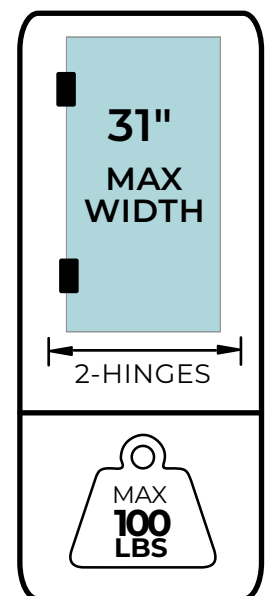
For 1/2"(12mm) Glass: Use one thin gasket on each side

GLASS INSTRUCTIONS:

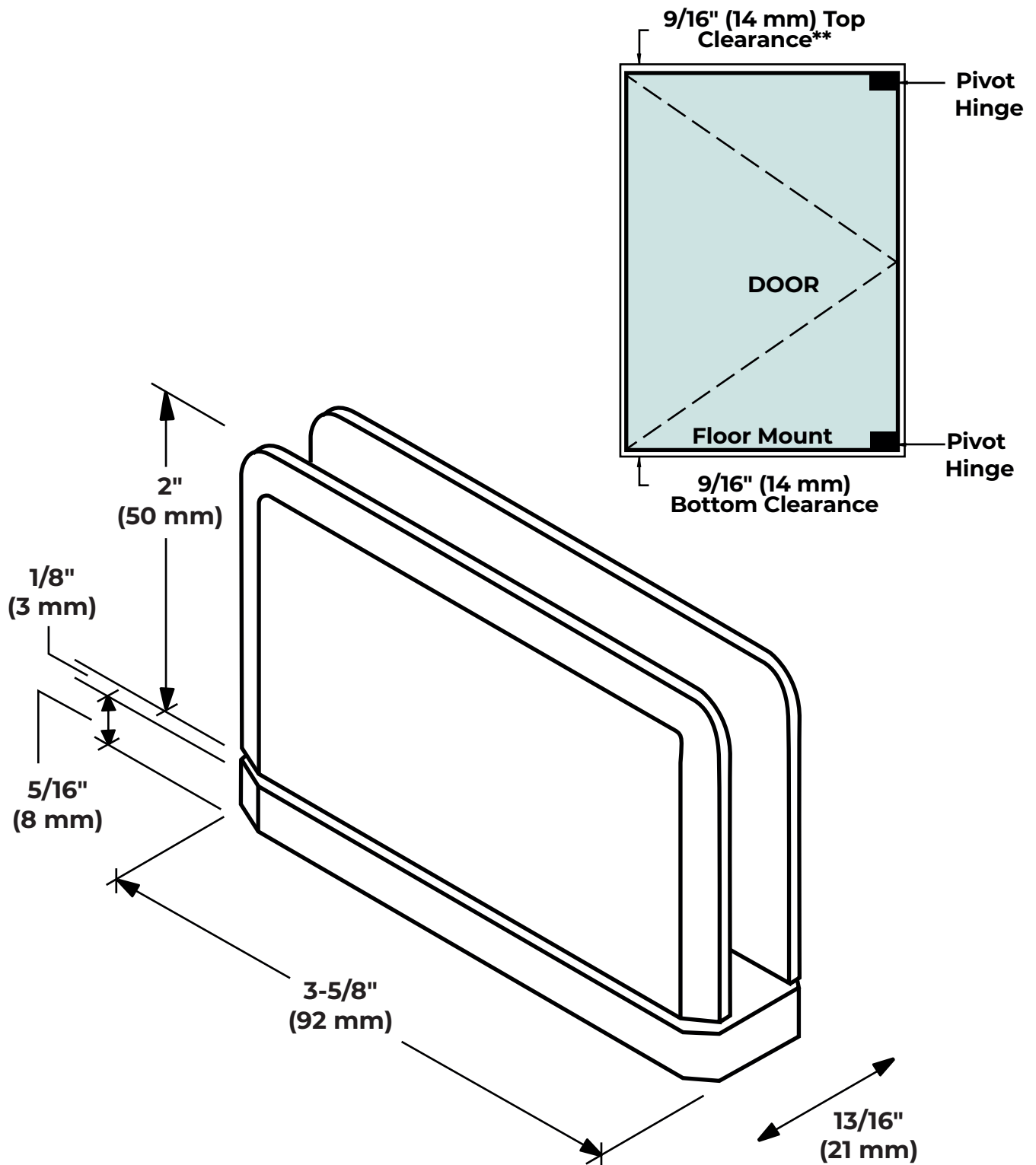
Only use tempered safety glass. To prevent damage to the hinge finish. Installing these hinges should not be performed with power tools.

MAINTENANCE GUIDELINES:

You should never apply an abrasive cleaner on hardware. Drying the hardware with a soft towel after each use is the most effective way to get the most out of our hardware. To clean our hardware a little bit of mild dish soap and warm water should be applied using a non-abrasive cloth or towel. Rinse with clean warm water and then dry. Doing this after each use will ensure the longest life possible for the hardware. Leave the shower door slightly open to allow air to circulate; this will discourage the growth of mildew. Another important cleaning technique for shower doors is to squeegee after showering. It removes excess moisture from the shower and avoids water spots that can be difficult and almost impossible to remove. A plastic squeegee is best because metal could damage a shower.



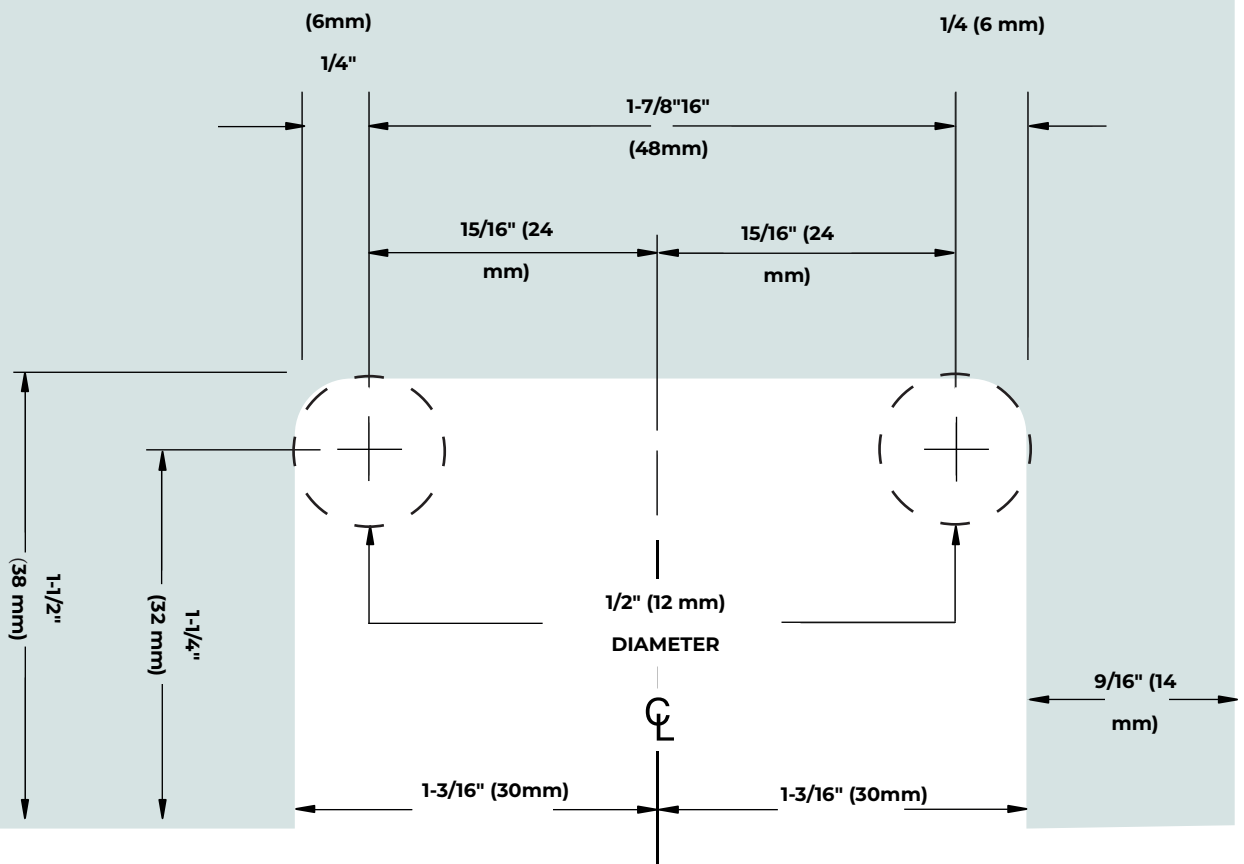
SHOWER HINGE TEMPLATE



SEE TEMPLATE ON BACK
Refer to Dimensions Shown
to Ensure Accuracy

IMPORTANT:

Project measurements from the edge of the glass



SHOWER HINGE TEMPLATE

MAXIMUM DOOR CAPACITY	1/2" (12 mm) GLASS	
	WEIGHT	WIDTH
USING 2 HINGES	100 LBS. (46 kg)	31" (787 mm)
Note: Do not exceed either maximum weight or width when choosing proper quantity of hinges		

MAXIMUM DOOR CAPACITY	3/8" (10 mm) GLASS	
	WEIGHT	WIDTH
USING 2 HINGES	100 LBS. (46 kg)	31" (787 mm)
Note: Do not exceed either maximum weight or width when choosing proper quantity of hinges		