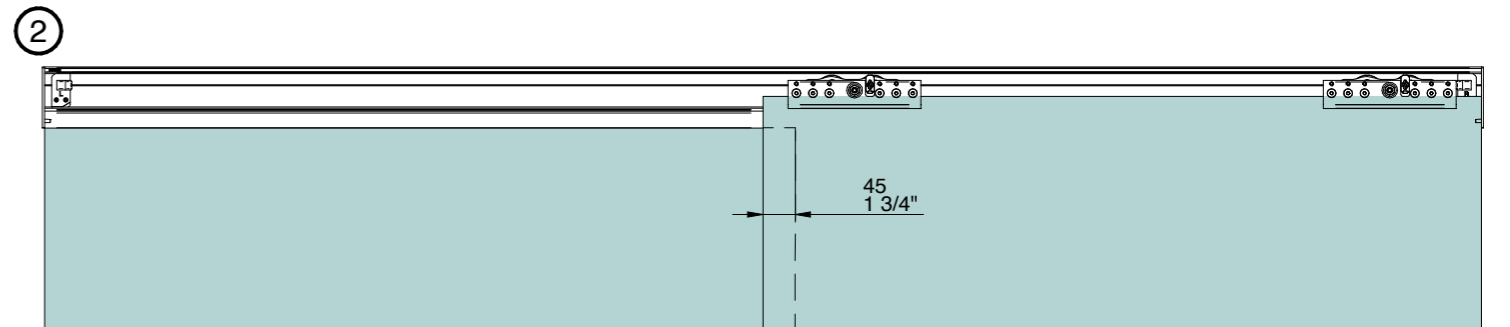
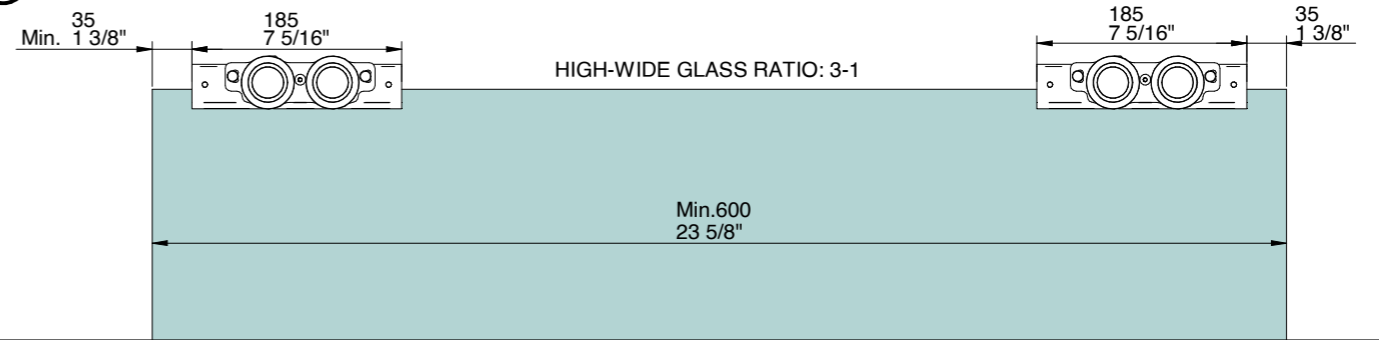
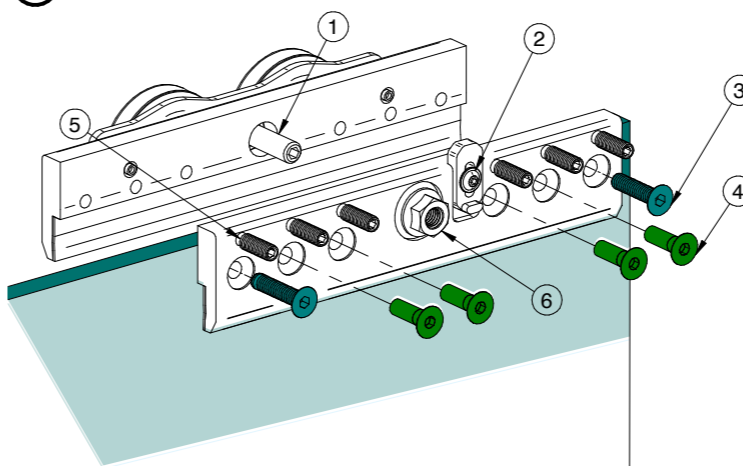


1 MINIMUM PANEL WIDTH AND CLAMP POSITIONING

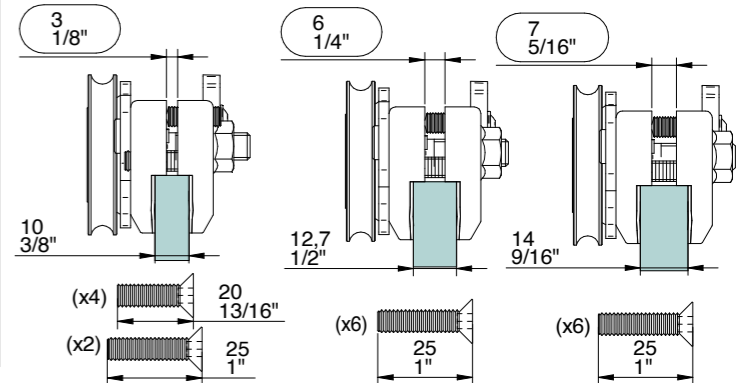
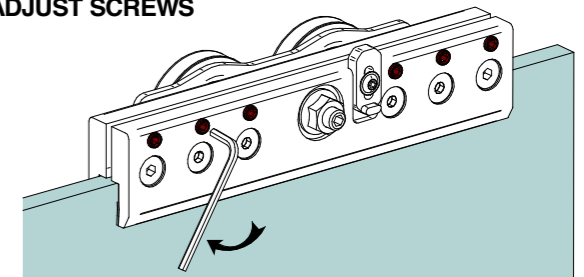


3 CLAMP SCREWS

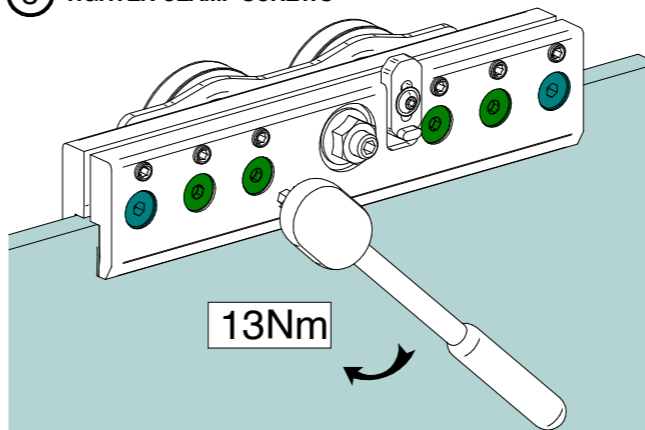


- (1) HEIGHT ADJUSTMENT SCREW
- (2) ANTIJUMP SCREW
- (3) CLAMP TIGHTEN SCREW: (x2) GLASS 3/8" -- (x6) GLASS 1/2" -- (x6) GLASS 9/16"
- (4) CLAMP TIGHTEN SCREW: ONLY (x4) CENTRAL SCREWS FOR GLASS 3/8"
- (5) GLASS THICKNESS SETTING SCREW
- (6) HEIGHT ADJUSTMENT NUT

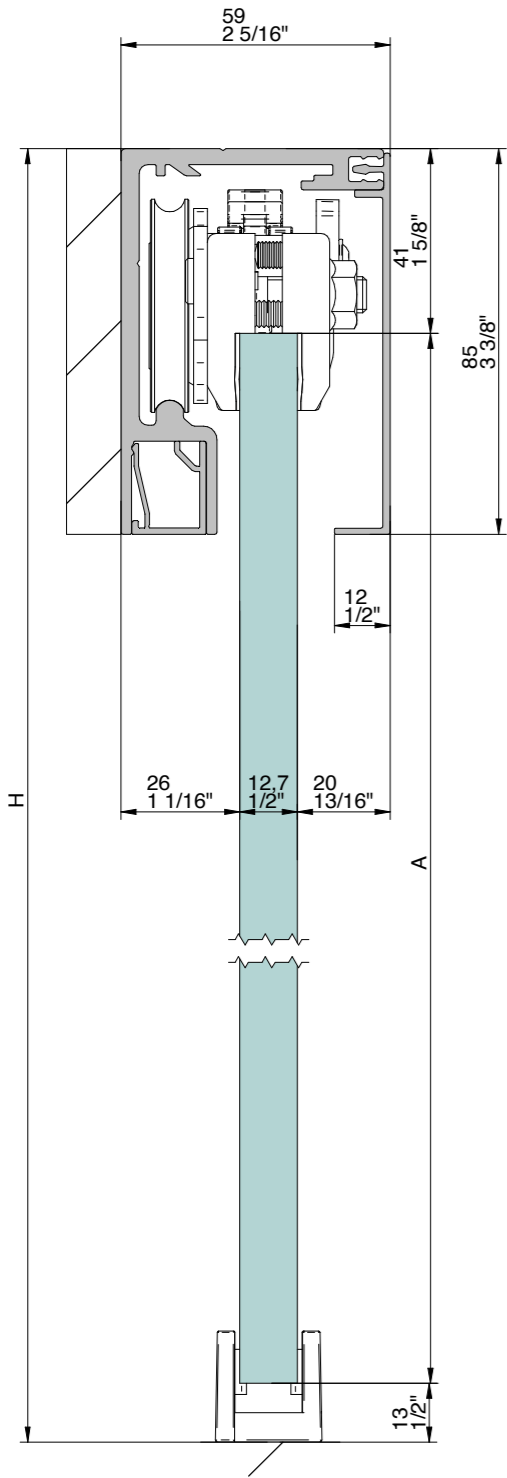
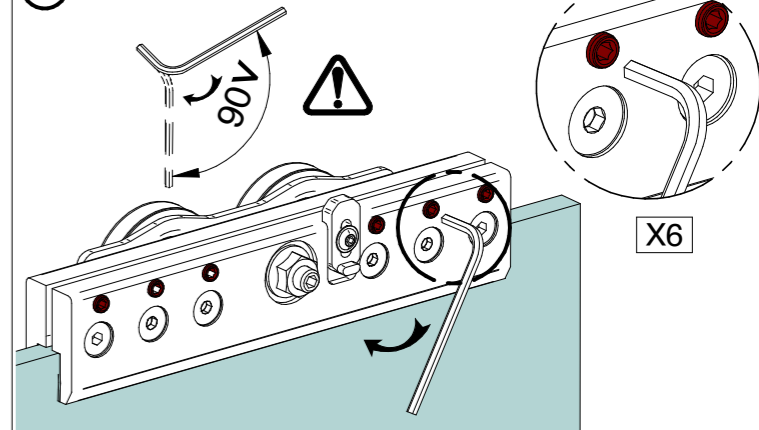
4 ADJUST SCREWS



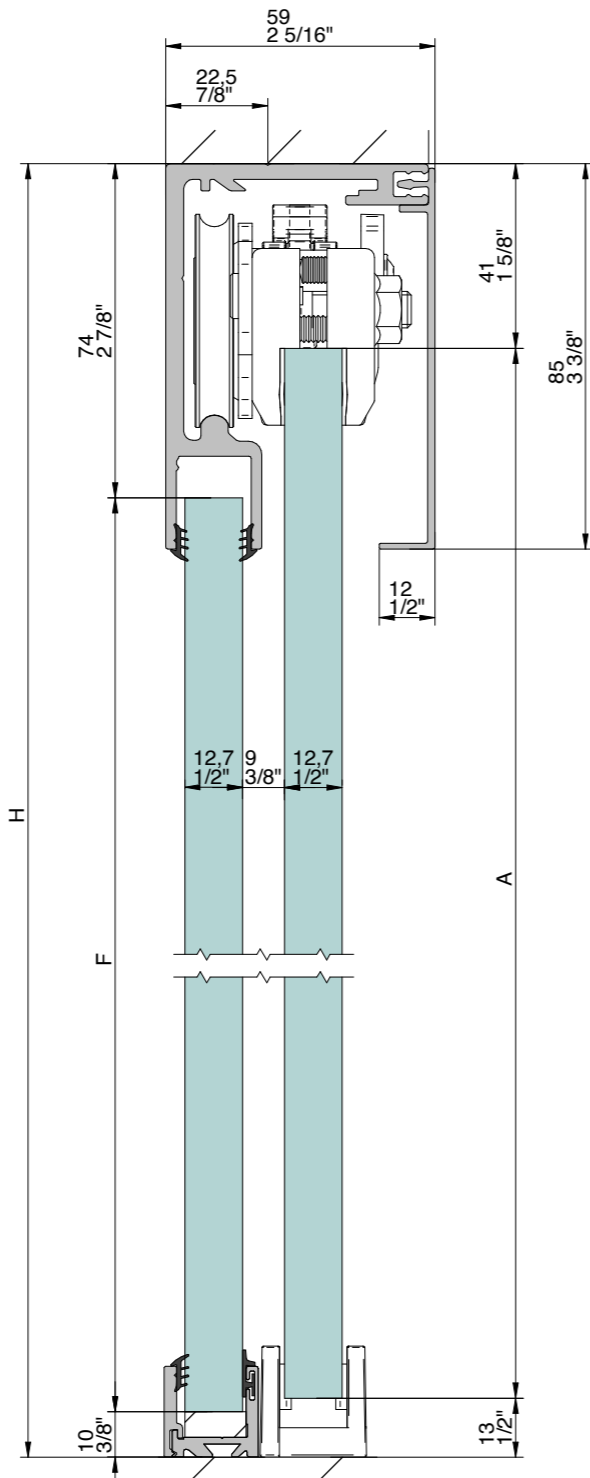
5 TIGHTEN CLAMP SCREWS



6 TIGHTEN GLASS THICKNESS SETTING SCREWS



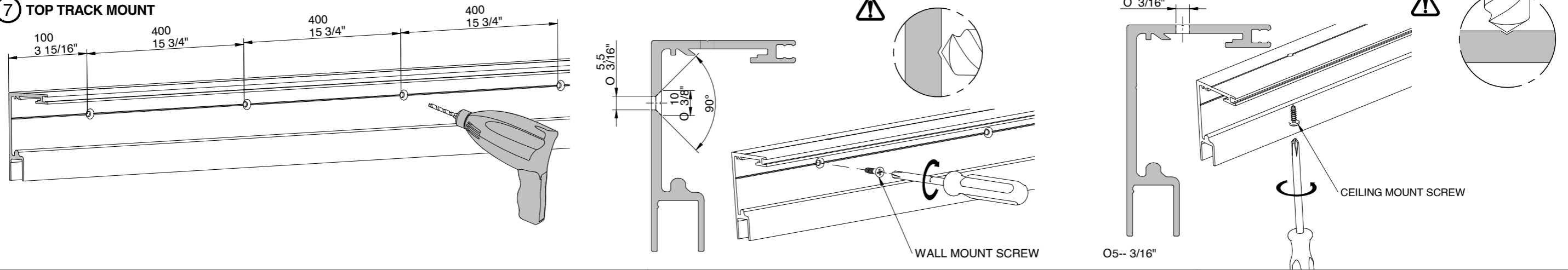
A = H - 54mm
A = H - 2 1/8"



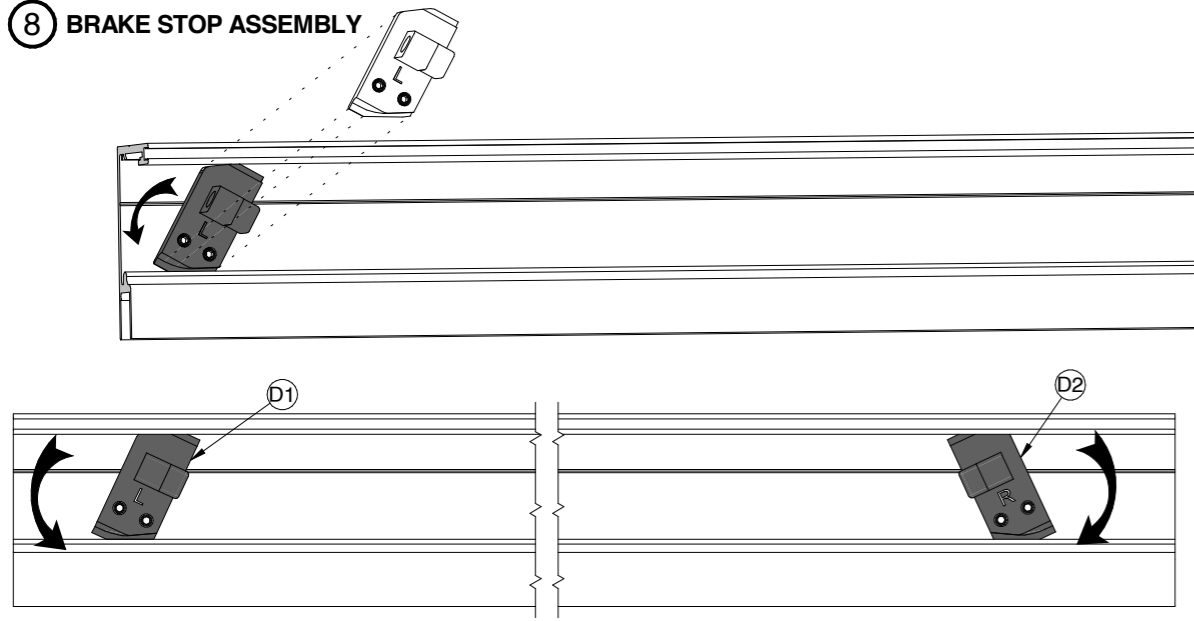
A = H - 54mm
A = H - 2 1/8"

F = H - 84mm
F = H - 3 5/16"

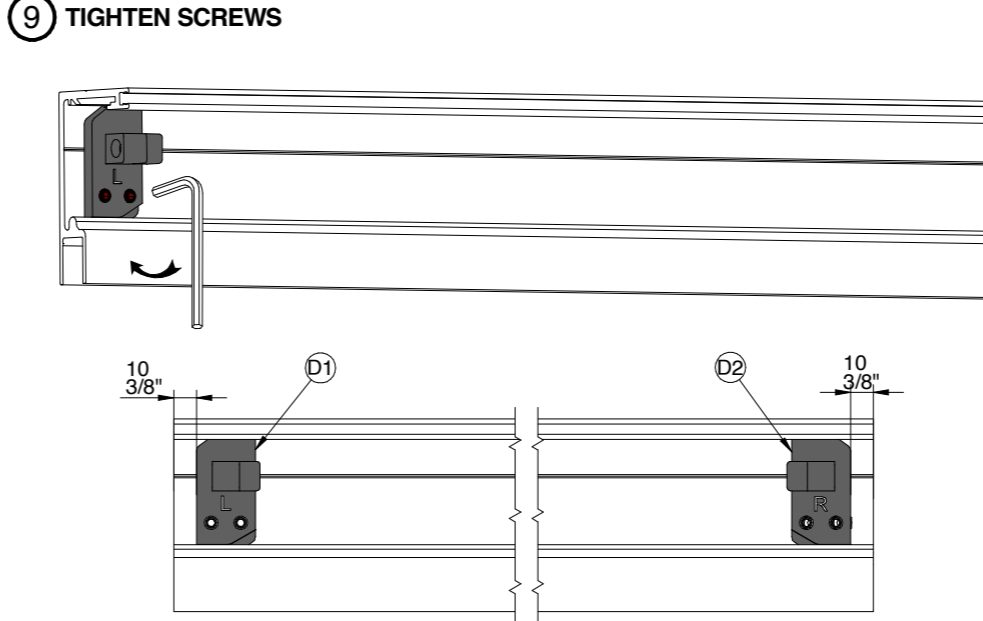
7 TOP TRACK MOUNT



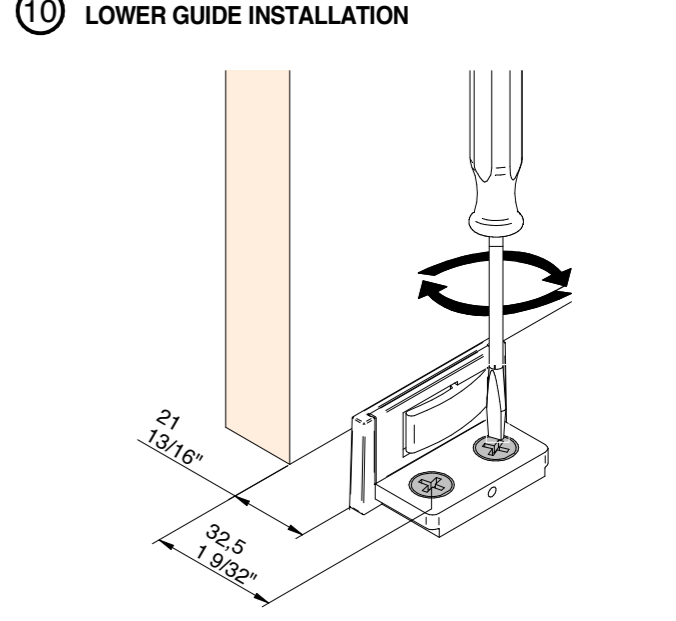
8 BRAKE STOP ASSEMBLY



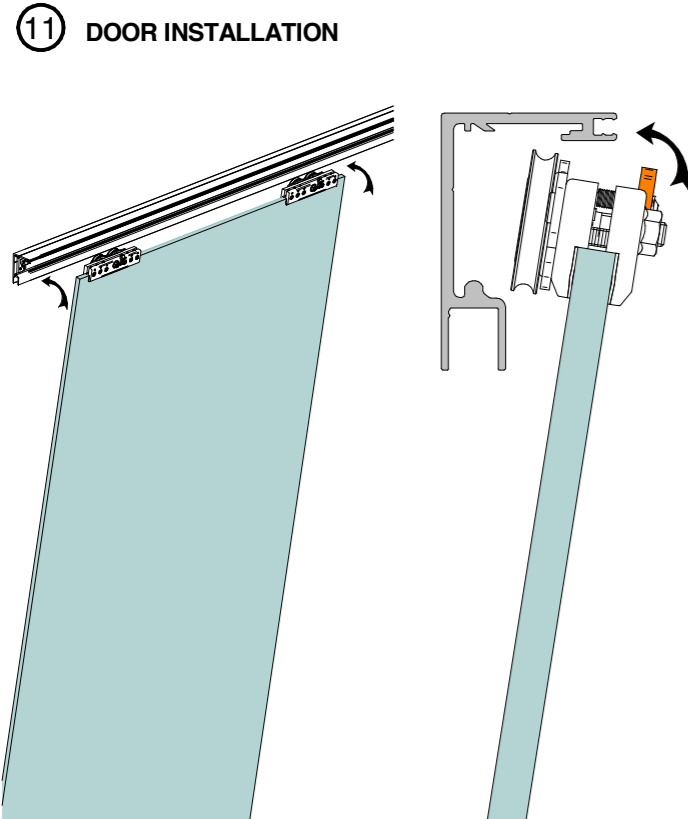
9 TIGHTEN SCREWS



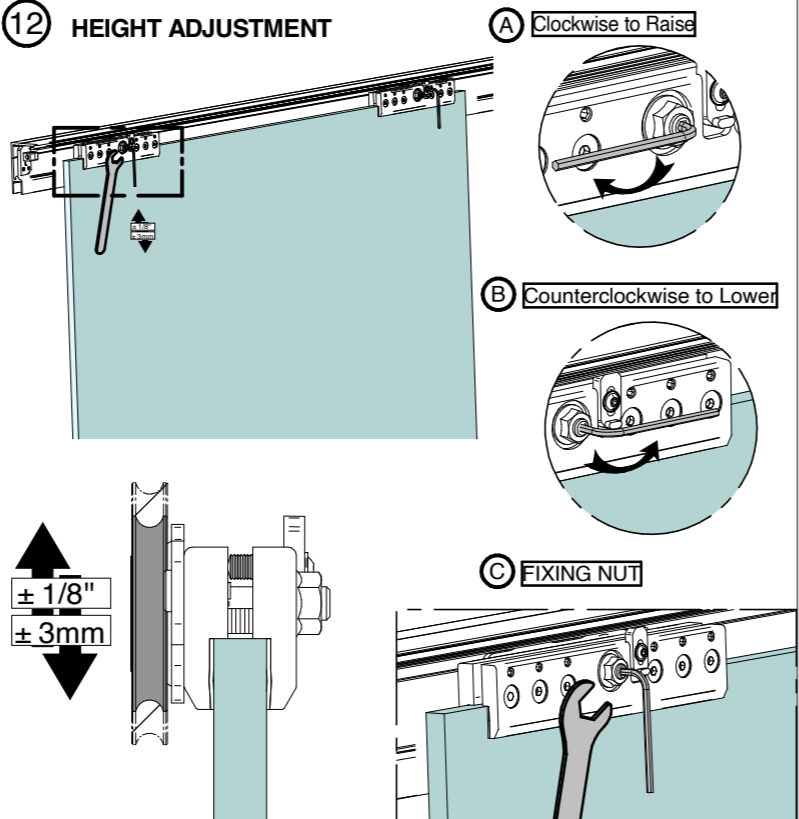
10 LOWER GUIDE INSTALLATION



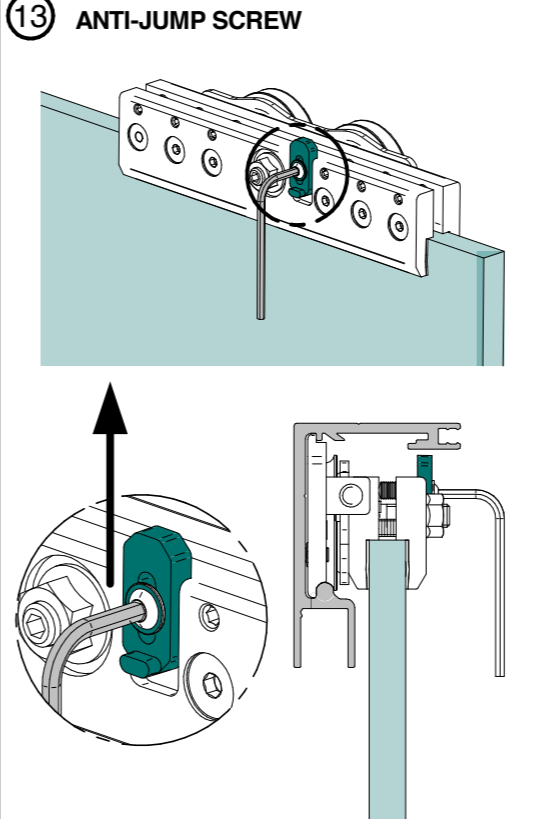
11 DOOR INSTALLATION



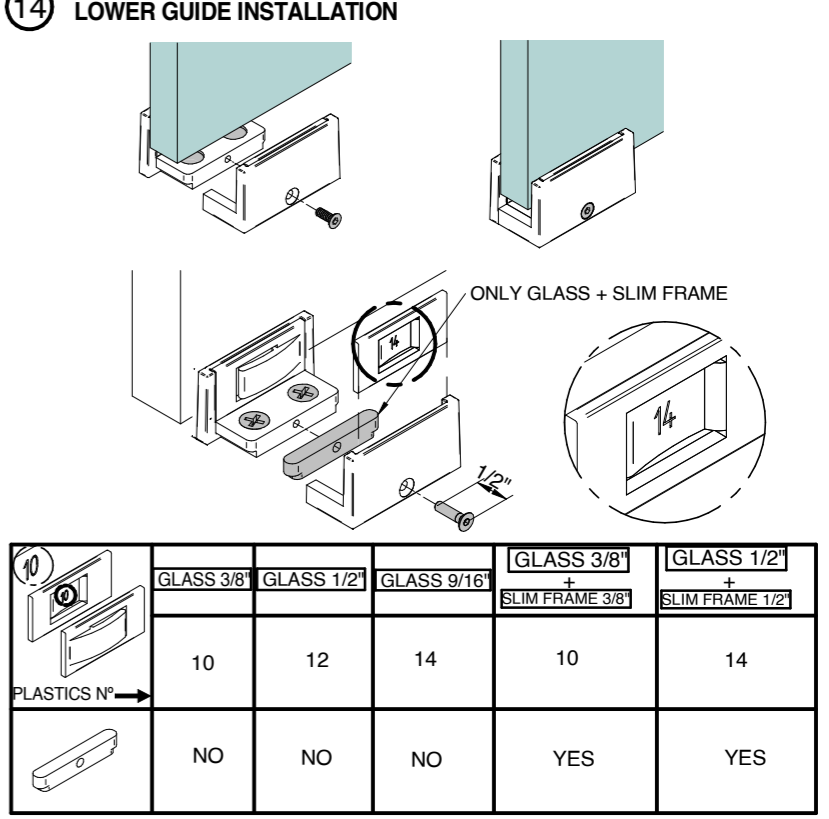
12 HEIGHT ADJUSTMENT



13 ANTI-JUMP SCREW

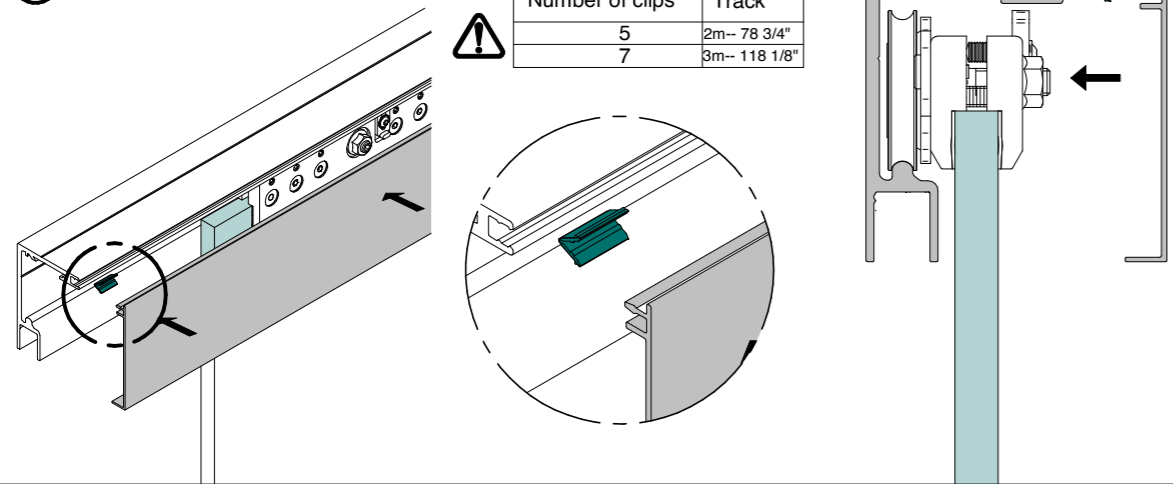


14 LOWER GUIDE INSTALLATION

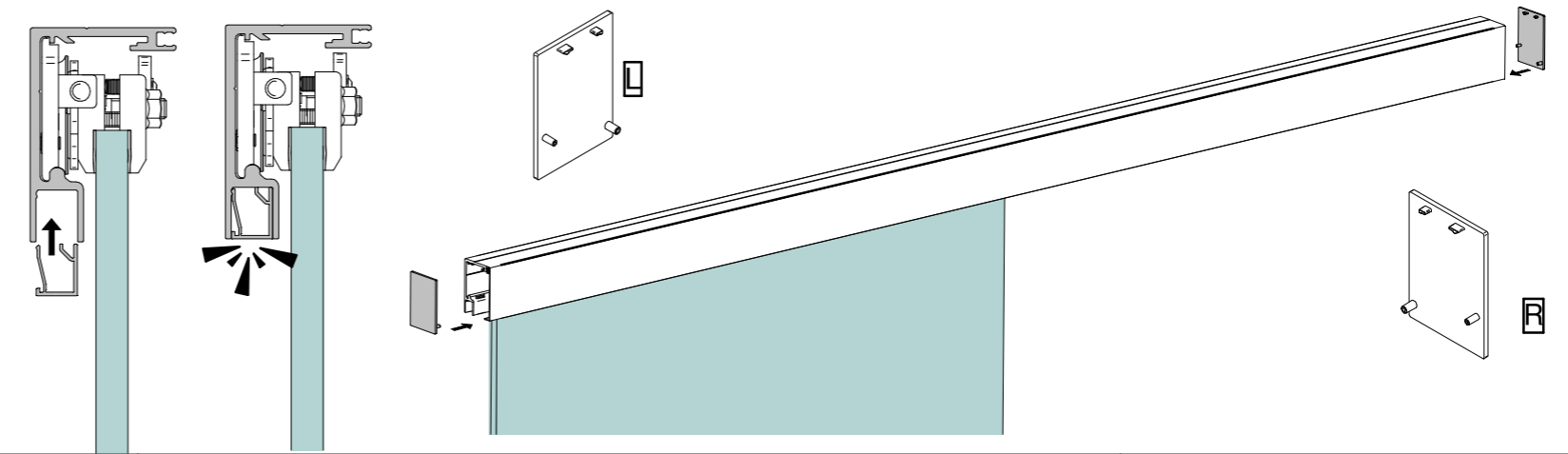


15 INSERT COVER CLIPS

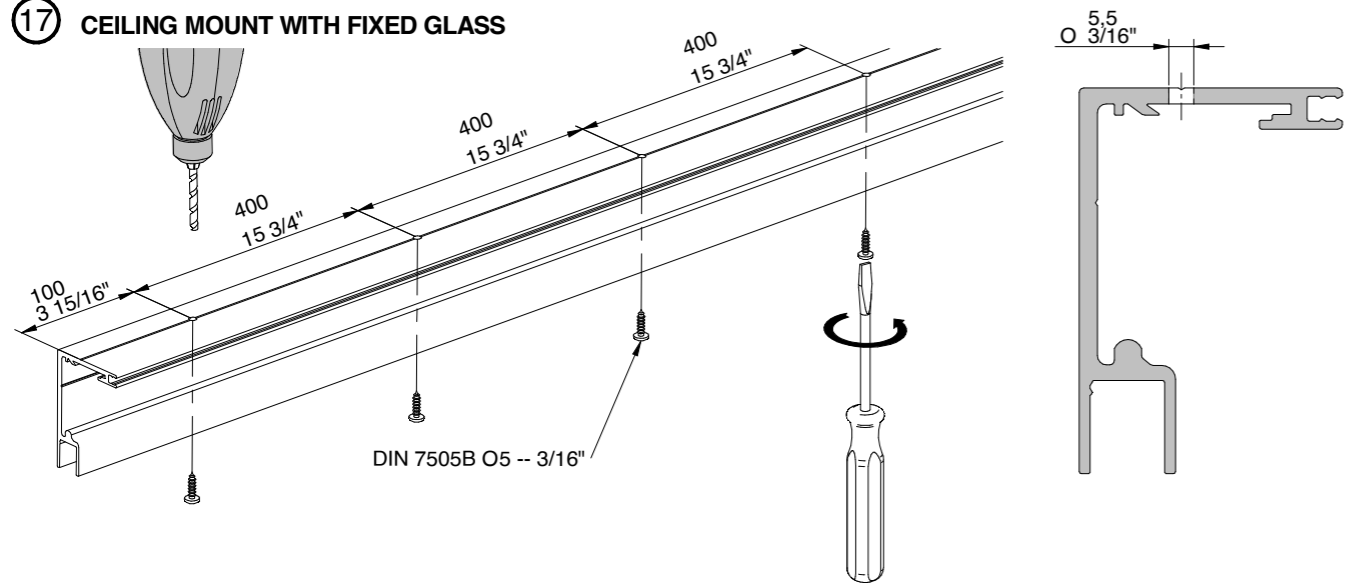
| Number of clips | Track |
|-----------------|---------------|
| 5 | 2m-- 78 3/4" |
| 7 | 3m-- 118 1/8" |



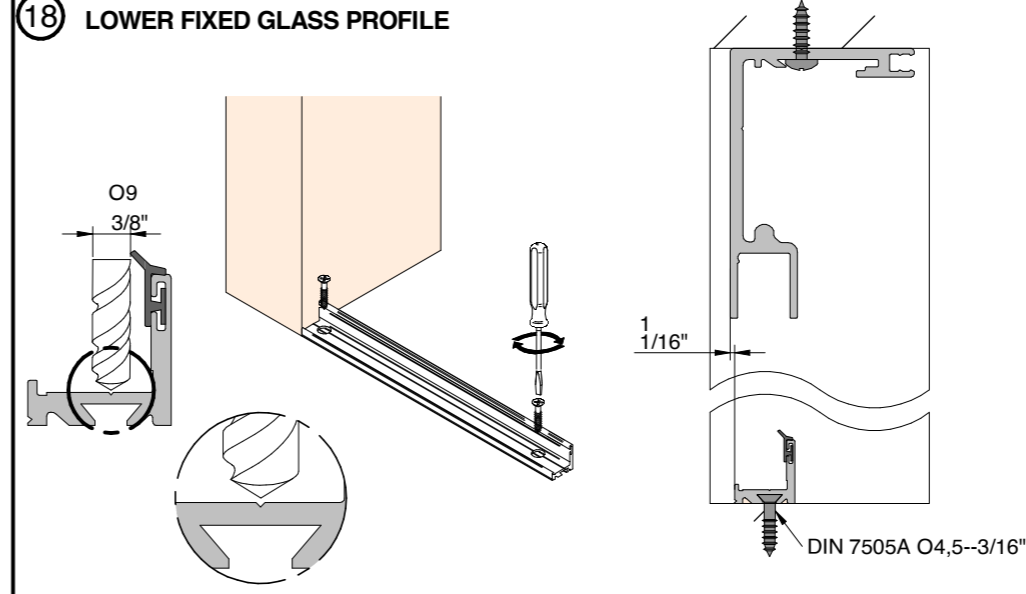
16 FIXED PANEL CHANNEL AND END COVERS



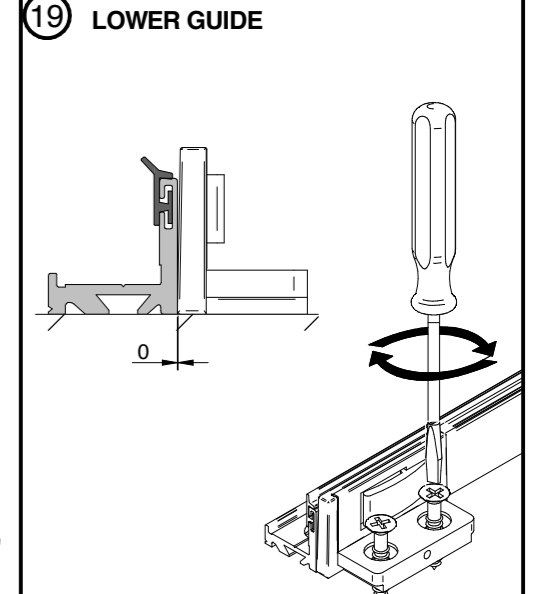
17 CEILING MOUNT WITH FIXED GLASS



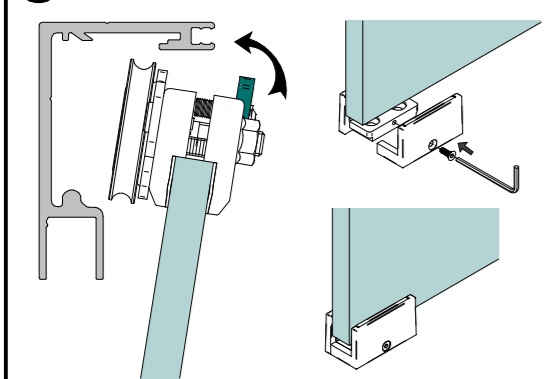
18 LOWER FIXED GLASS PROFILE



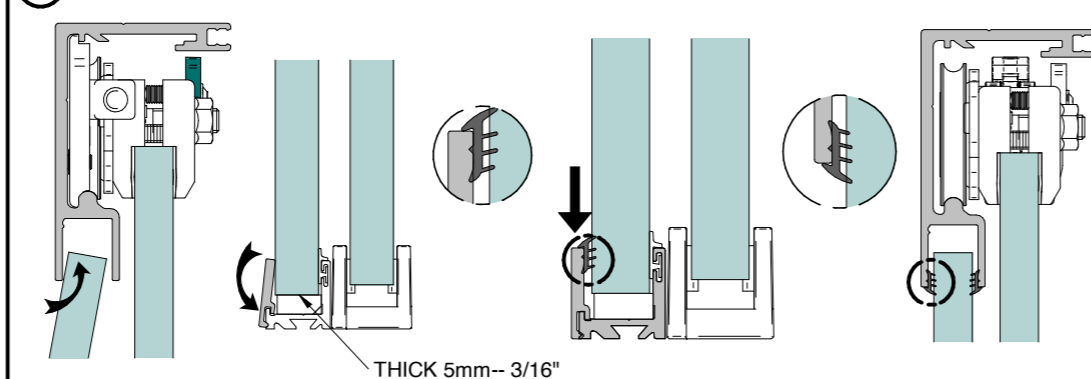
19 LOWER GUIDE



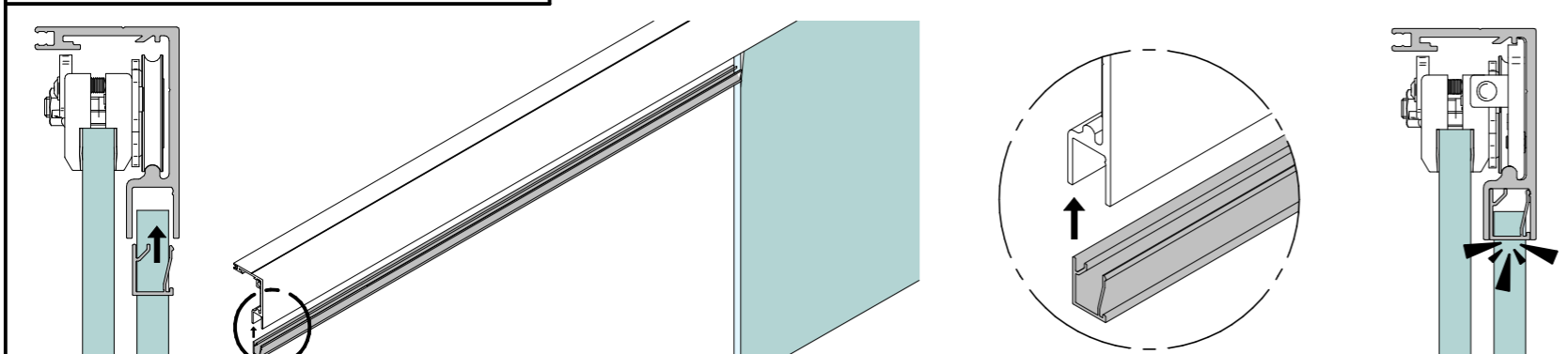
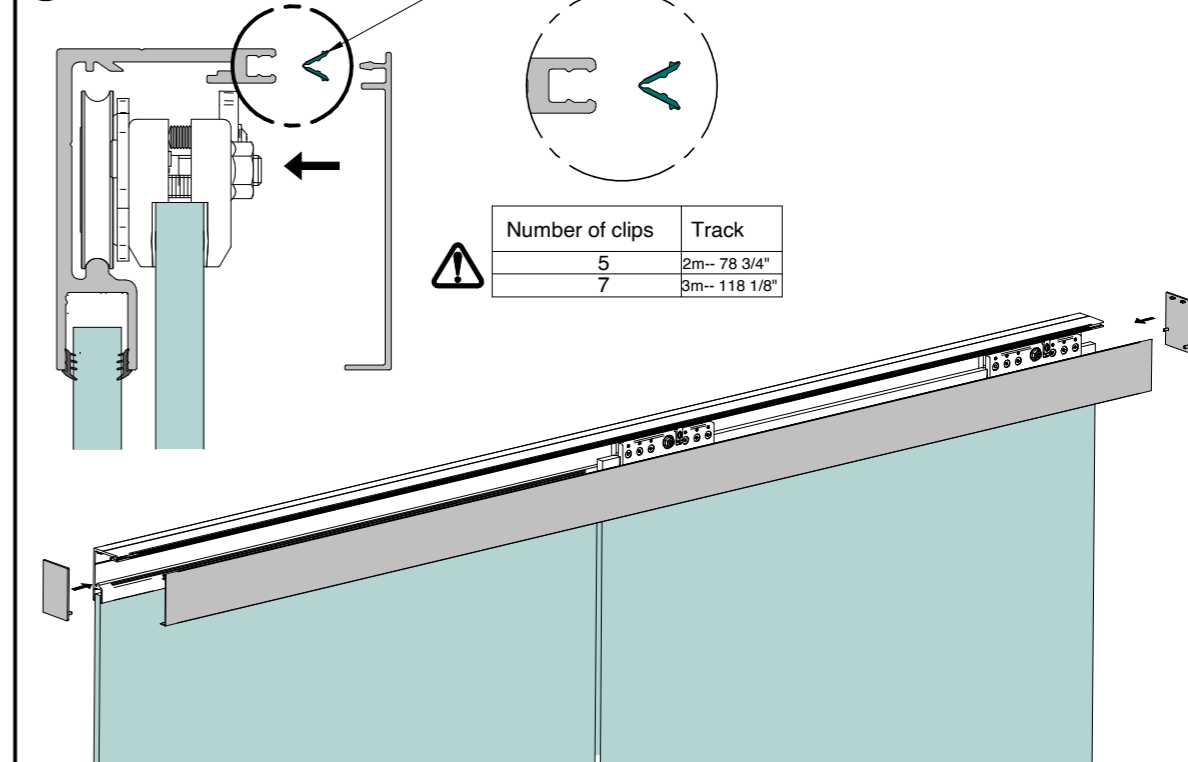
20 DOOR INSTALLATION



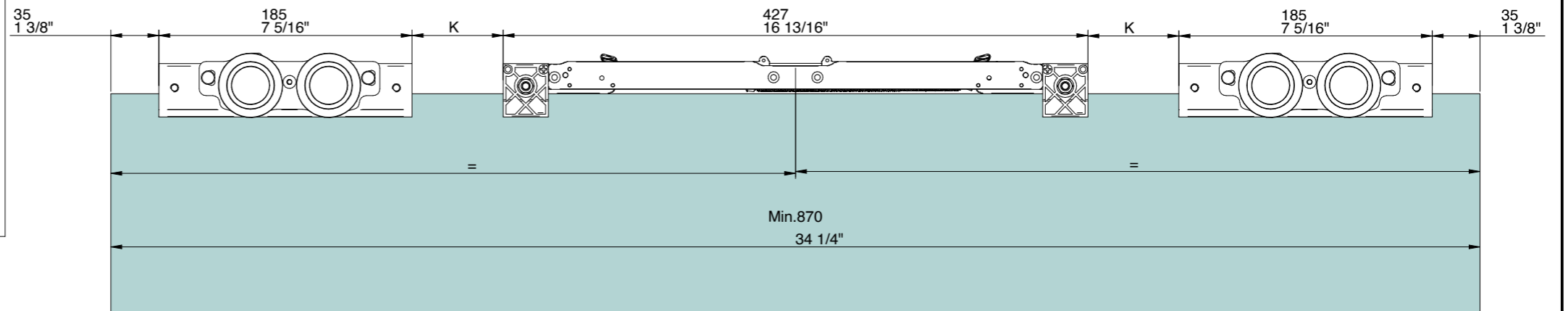
21 FIXED GLASS MOUNT



22 END COVERS MOUNT

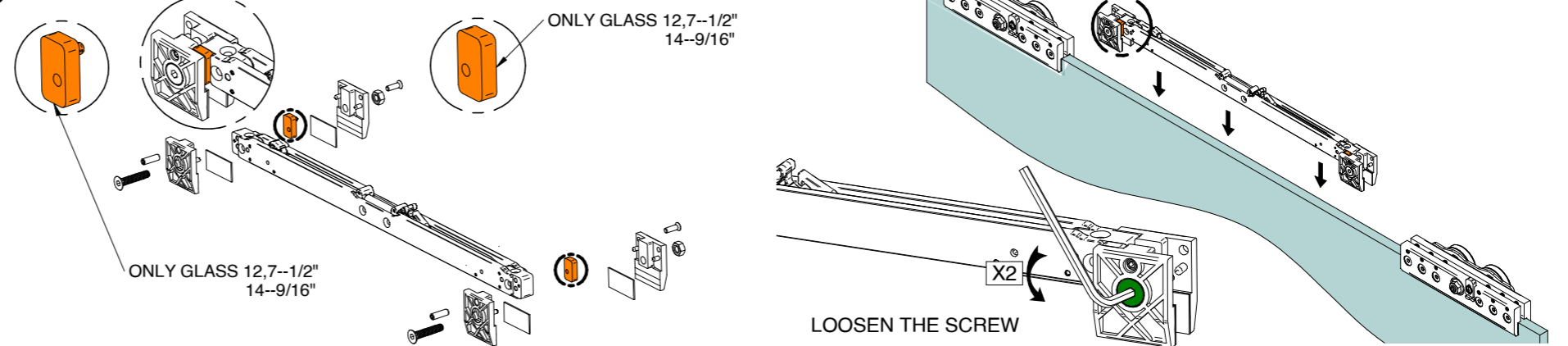


1 MINIMUM PANEL WIDTH AND CLAMP POSITIONING

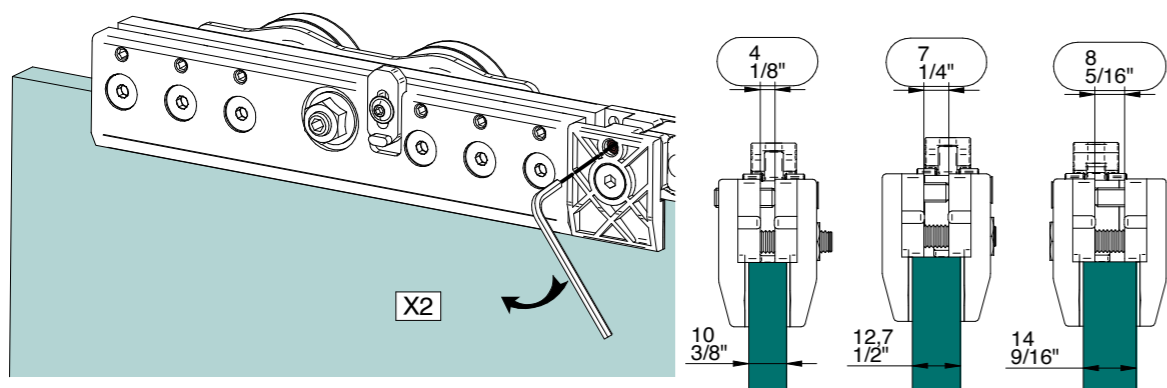


| | | | | | | | |
|-------------------|---|-------------------|-----|-------------------|----------------|-------------------|---|
| (f) | 1 | | (j) | 4 | DIN 913 M5X6mm | (l ¹) | 1 |
| (g ¹) | 2 | (g ²) | 2 | (g ³) | 1 | (l ²) | 1 |

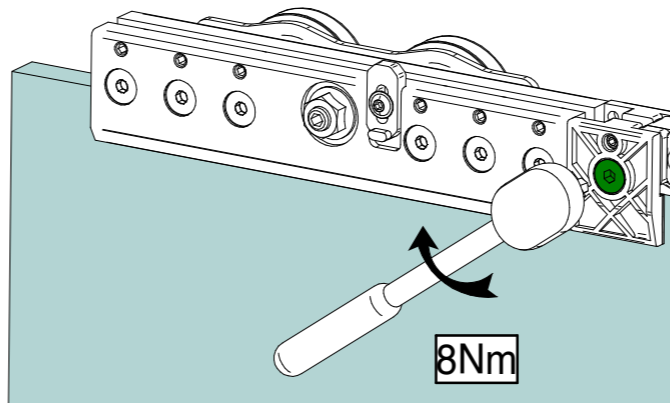
2 SOFTOP INSTALLATION



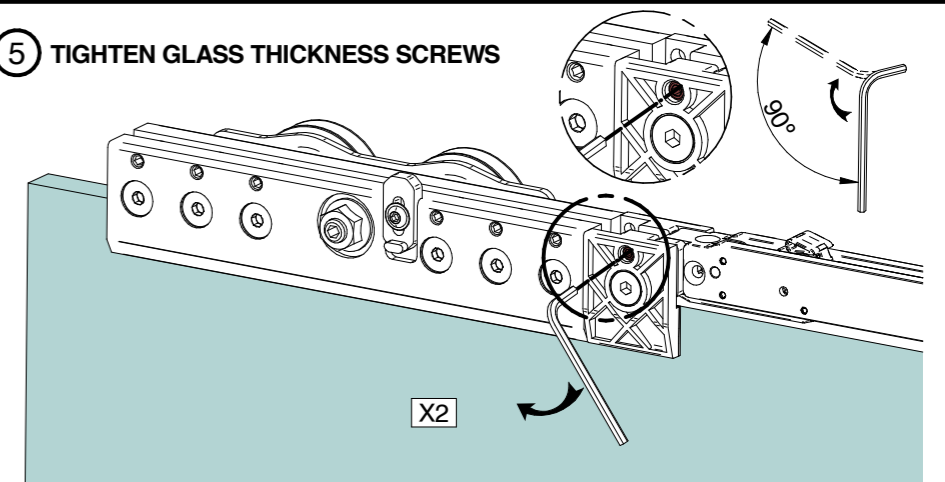
3 ADJUST GLASS THICKNESS SCREWS TO GAPS SHOWN



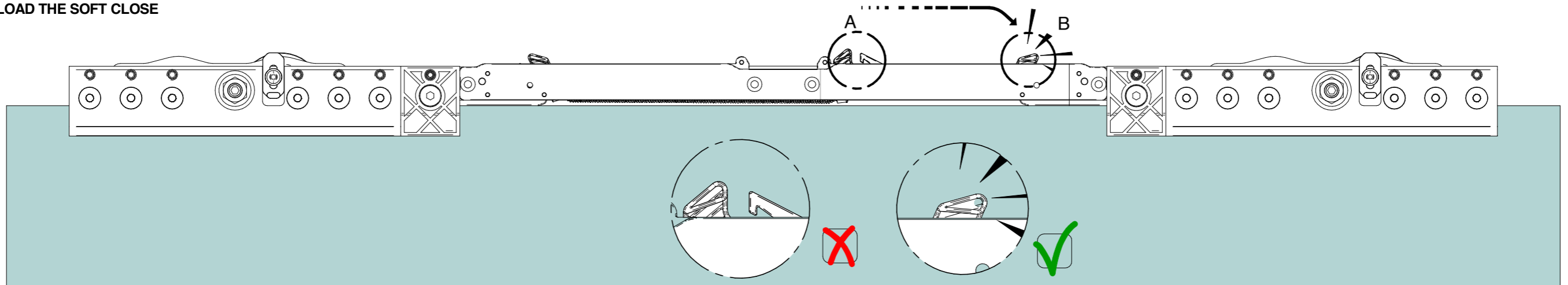
4 TIGHT THE CLAMP SCREWS

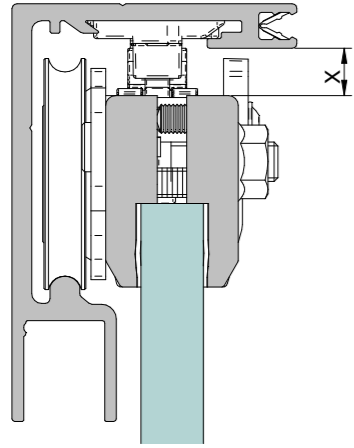


5 TIGHTEN GLASS THICKNESS SCREWS

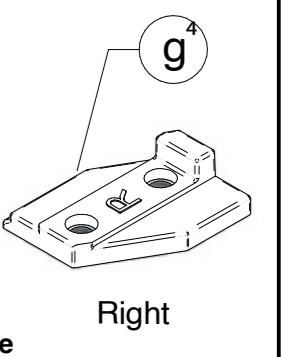
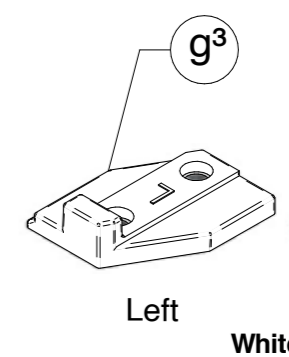
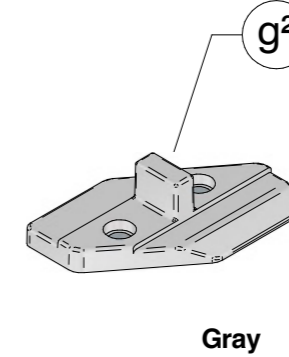
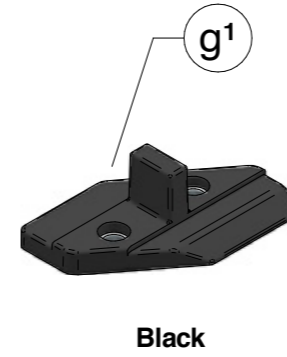


6 LOAD THE SOFT CLOSE

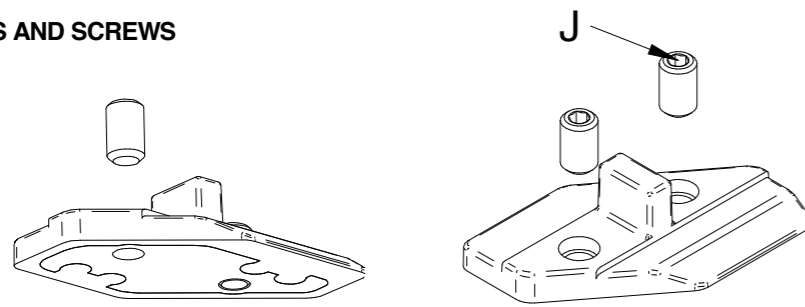




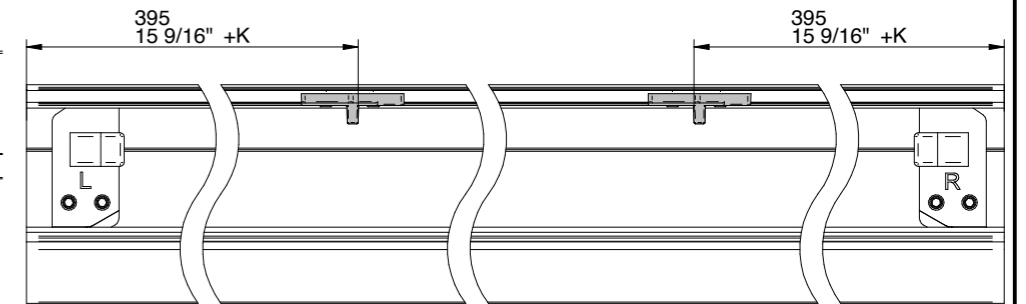
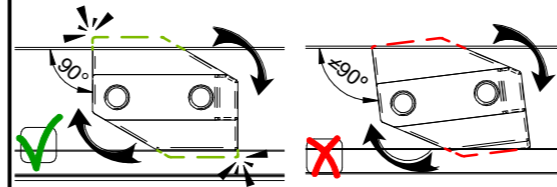
| | | |
|----------------|--|---|
| g ¹ | | $X \geq 7/16''$ $X \geq 10,5\text{mm}$ |
| g ² | | $5/16'' < X < 7/16''$ $8,5\text{mm} < X < 10,5\text{mm}$ |
| g ³ | | $X \leq 5/16''$ $X \leq 8,5\text{mm}$ |



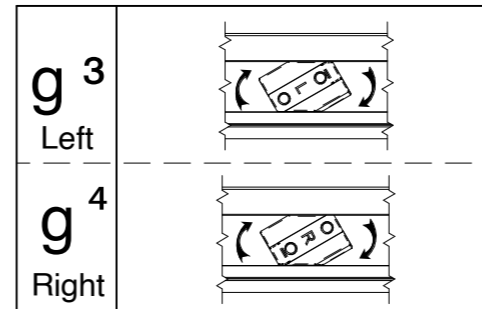
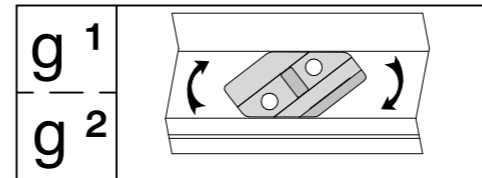
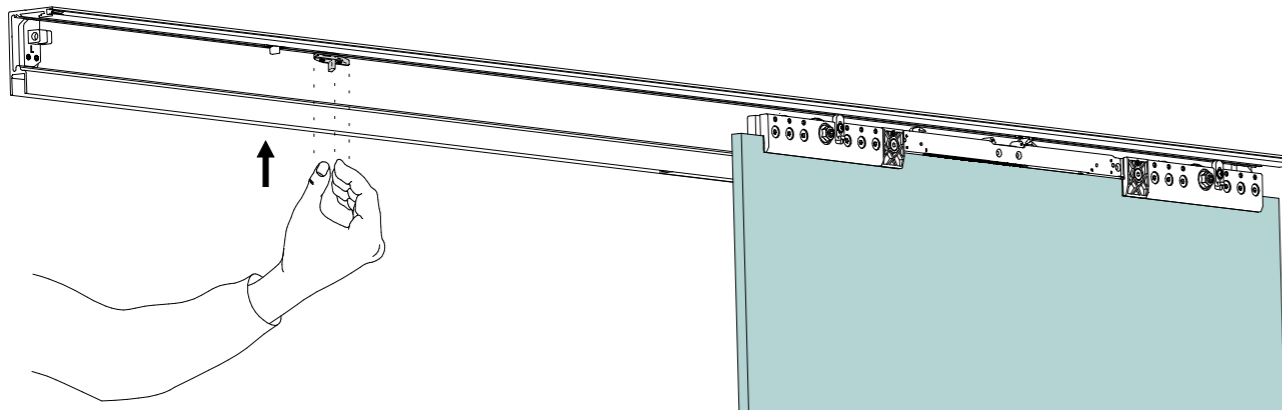
7 INSERT NUTS AND SCREWS



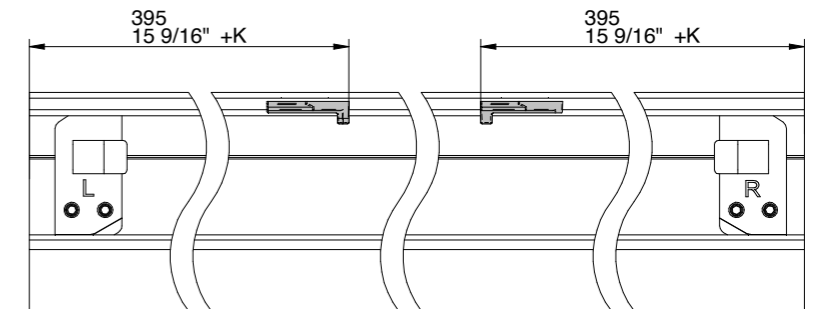
Make sure activators are completely turned at 90°



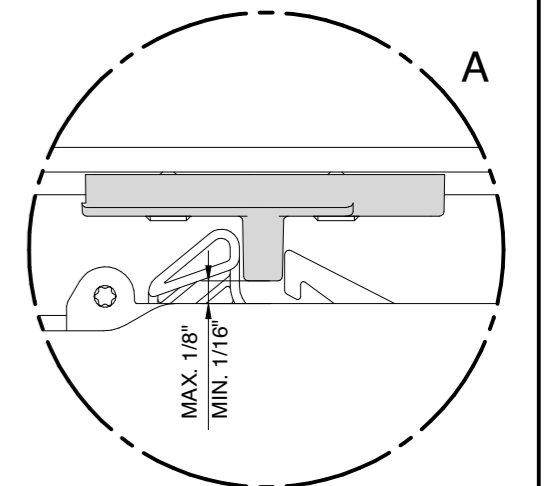
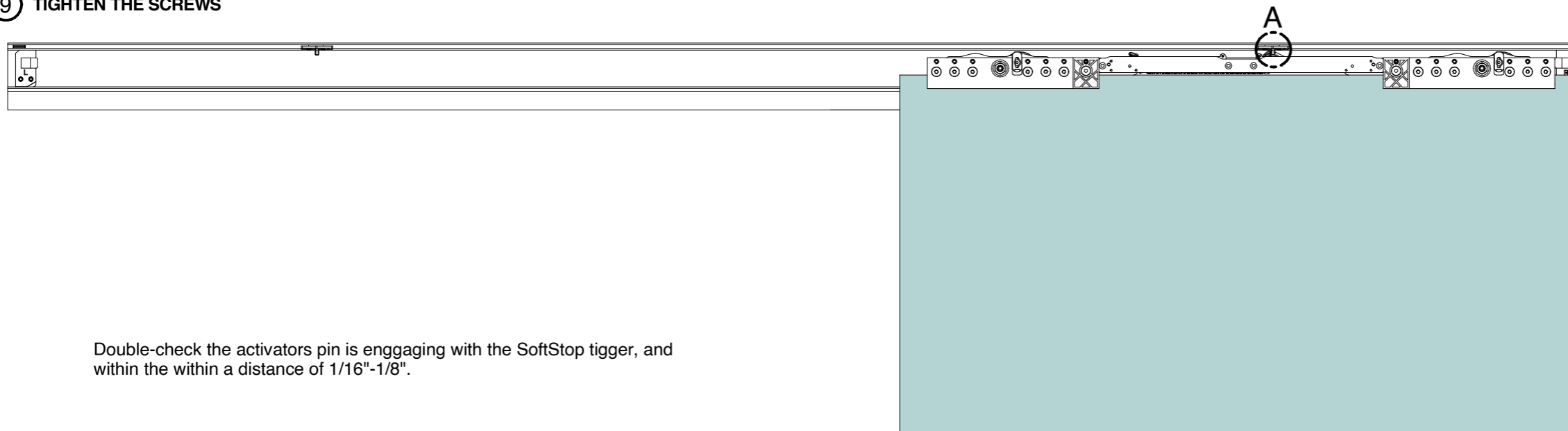
8 MOUNT SOFT CLOSE ACTIVATORS



Respect positioning distance of 12 7/8 + k



9 TIGHTEN THE SCREWS



Double-check the activators pin is engaging with the SoftStop trigger, and within the within a distance of 1/16''-1/8''.