

Mitered Handle 6"

SKU. MTH06

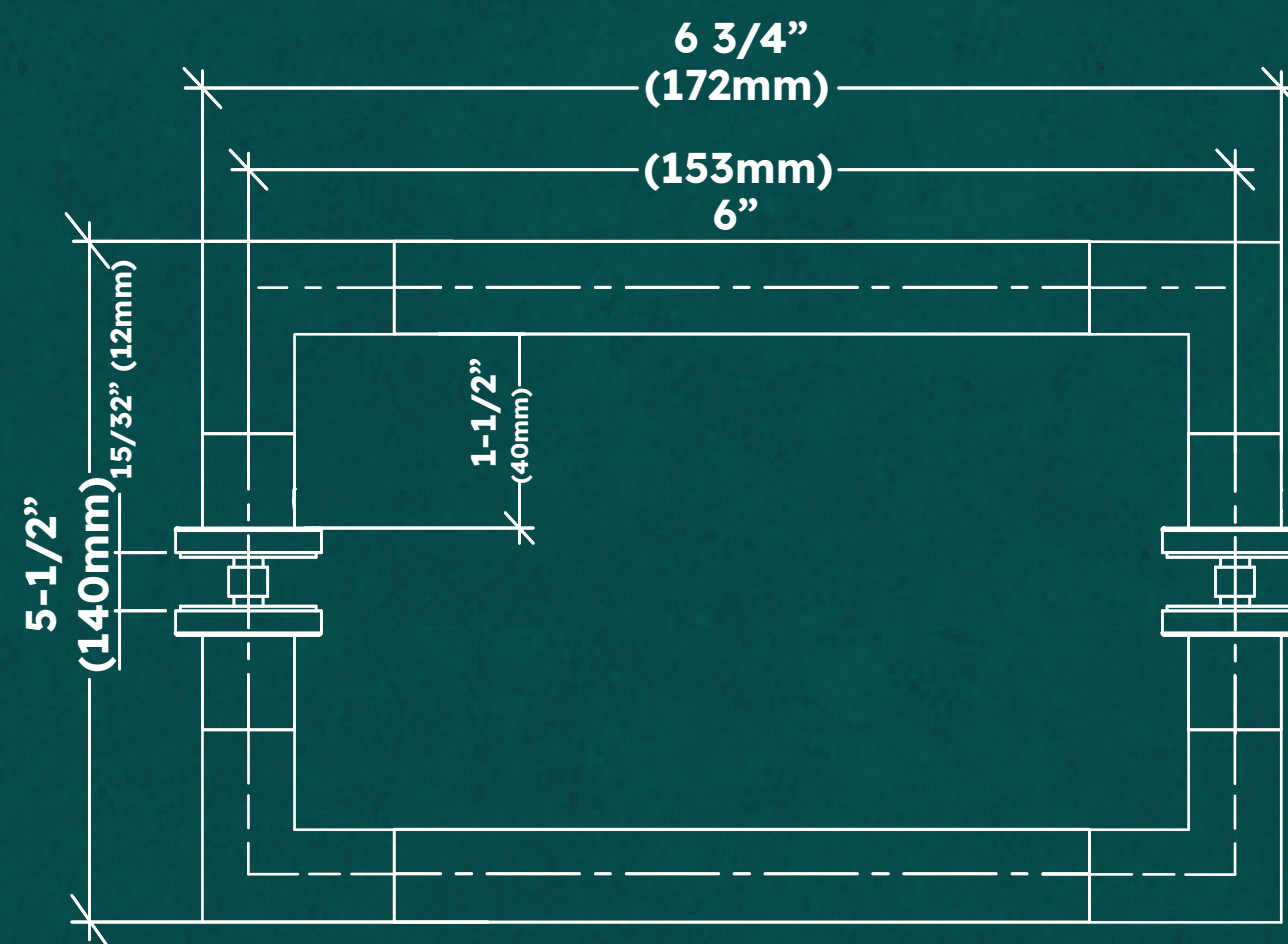


RECOMMENDATIONS:

Use only tempered safety glass.
Do not use power tools for tightening the hinge clamping plate.

MAINTENANCE GUIDELINES:

All Glaze Hardware hinges are factory greased to ensure a quiet, hassle-free installation. Suppose there is any noticeable squeaking that occurs after installation. In that case, applying a few drops of (3 in 1) multi-purpose oil to the hinge at the nylon washer/pivot location is recommended. If, for some reason, the hinge is disassembled during maintenance, use a small amount of white lithium grease to lubricate the interior hinge components. The lubricant will penetrate the hinge crevices, reducing friction and cleaning grime and buildup. The use of spray lubricants is prohibited.



Specifications:

All holes are 1/2" (12mm) Diameter

All measurements are Center-to-Center

For 1/4" (6mm) to 1/2" (12mm) Thick Glass

