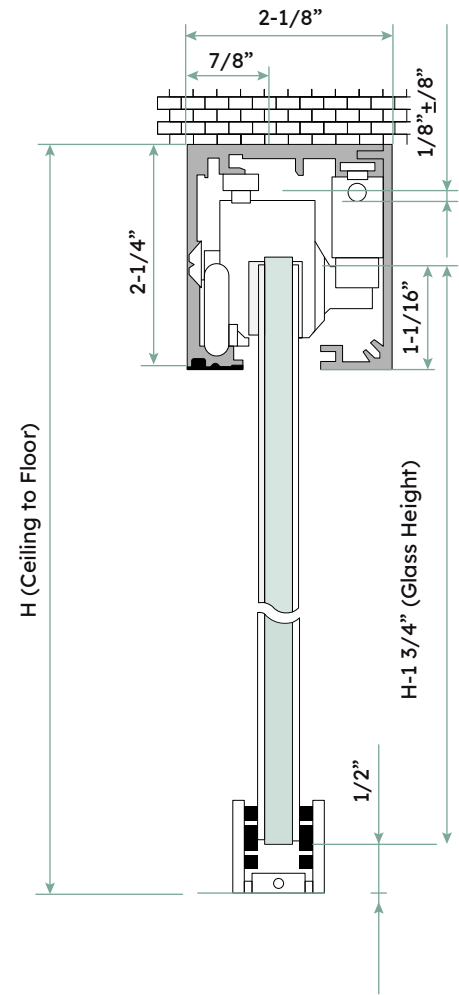
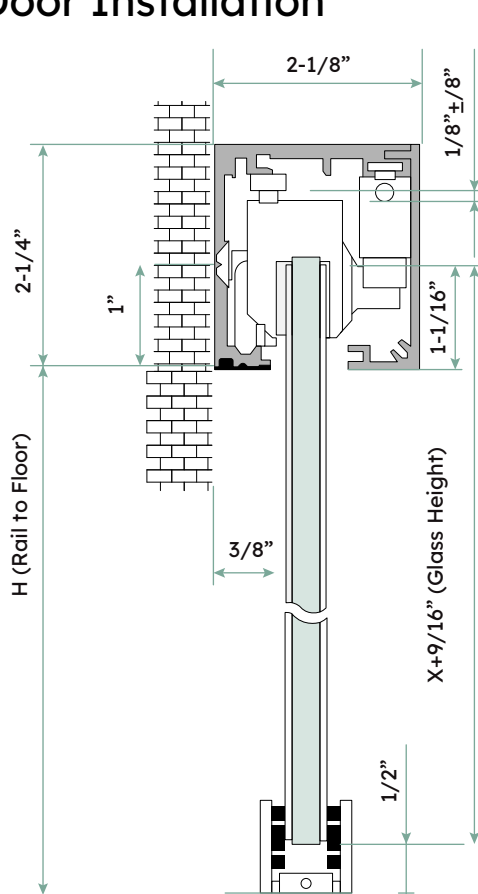
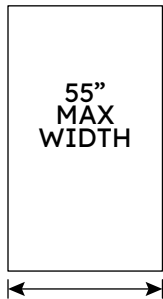


Heavy Duty Soft Close Sliding System Standard Single Door Installation



SPECIFICATIONS

Glass Sizes: 3/8" (10mm) to 1/2" (12mm) thick tempered safety glass

Min. Rail Length: (2 x Opening Width) + 4-5/16"

Min. Door Width: 29-1/2"

Max Door Width: 55"

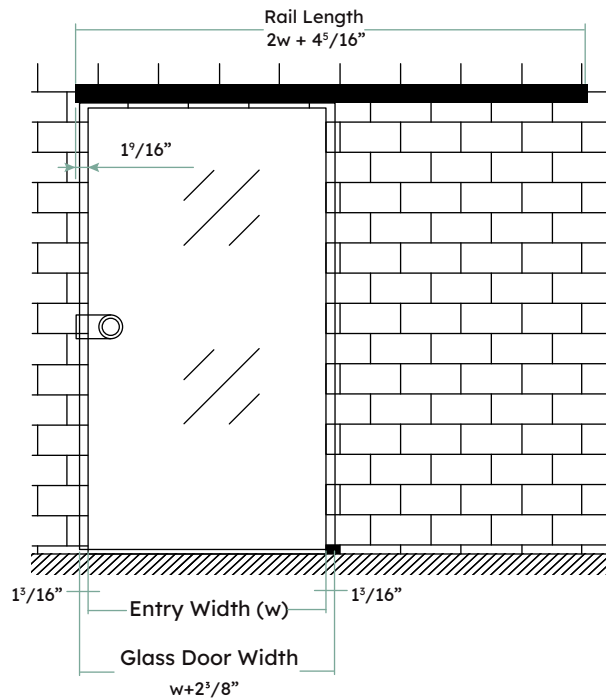
Max Door Weight: 330 lbs

Max. Height: 2.5 times the Width of the door

Door Width = Opening Width + 2-3/8"

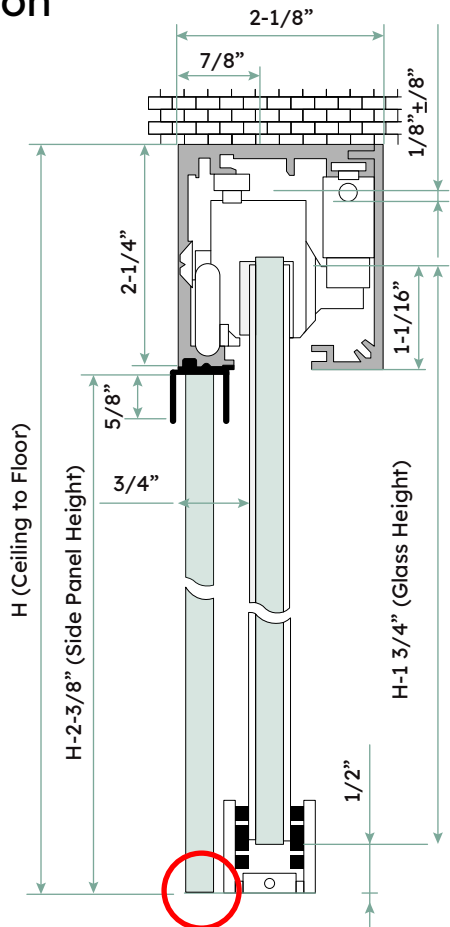
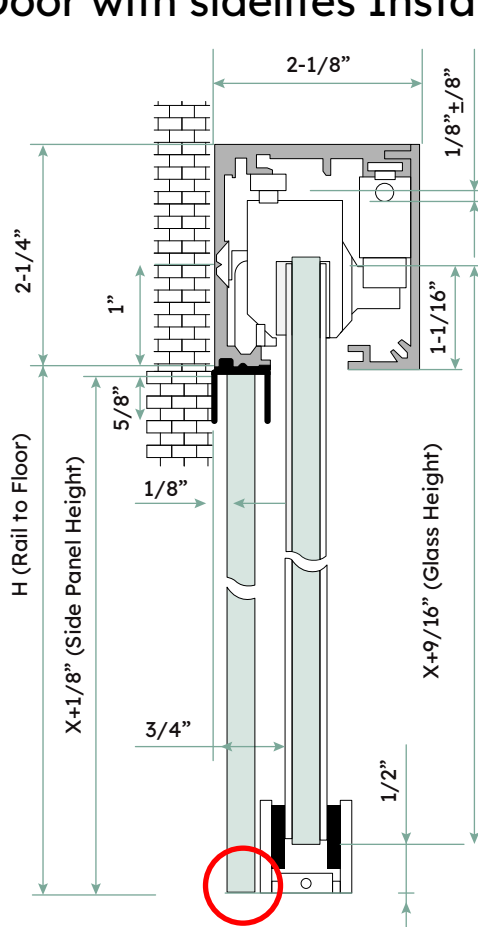
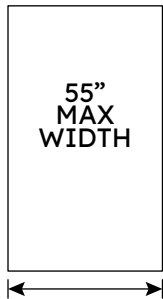
Door Height = See diagram to the right

SLIDING DOOR ACCESSORIES PARTS	QTY	COVERT
Carriage	2	
Stopper	2	
End Cap	2	
Bottom Guide	1	
Soft Closing Mechanism	2	



Heavy Duty Soft Close Sliding System

Standard Single Door with sidelites Installation



! 1/2" ADDITIONAL DEDUCTION ON SIDE PANELS RECOMMENDED FOR BOTTOM U-CHANNELS

SPECIFICATIONS

Glass Sizes: 3/8" (10mm) to 1/2" (12mm) thick tempered safety glass

Min. Rail Length: (2 x Opening Width) + 4-5/16"

Min. Door Width: 29-1/2"

Max Door Width: 55"

Max Door Weight: 330 lbs

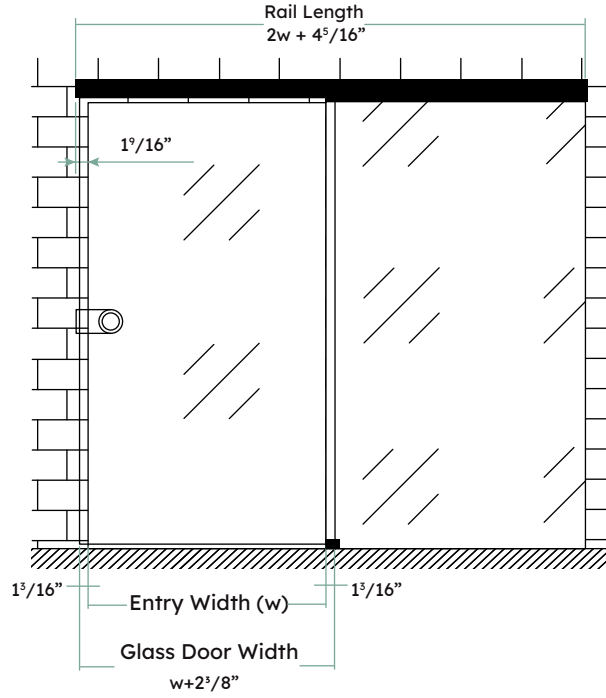
Max. Height: 2.5 times the Width of the door

Door Width = Opening Width + 2-3/8"

Door Height = See diagram to the right

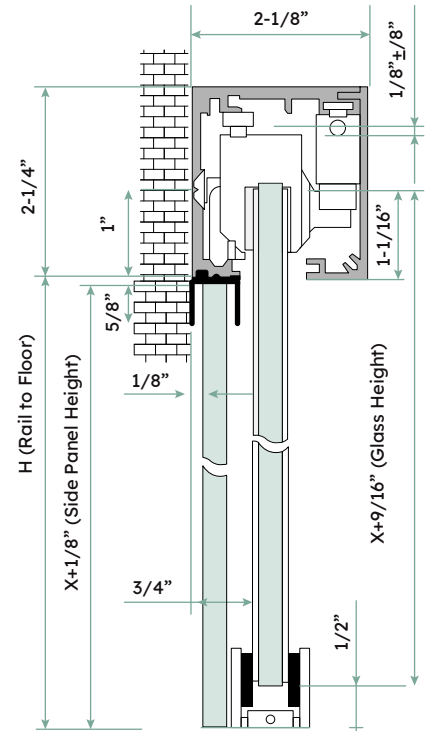
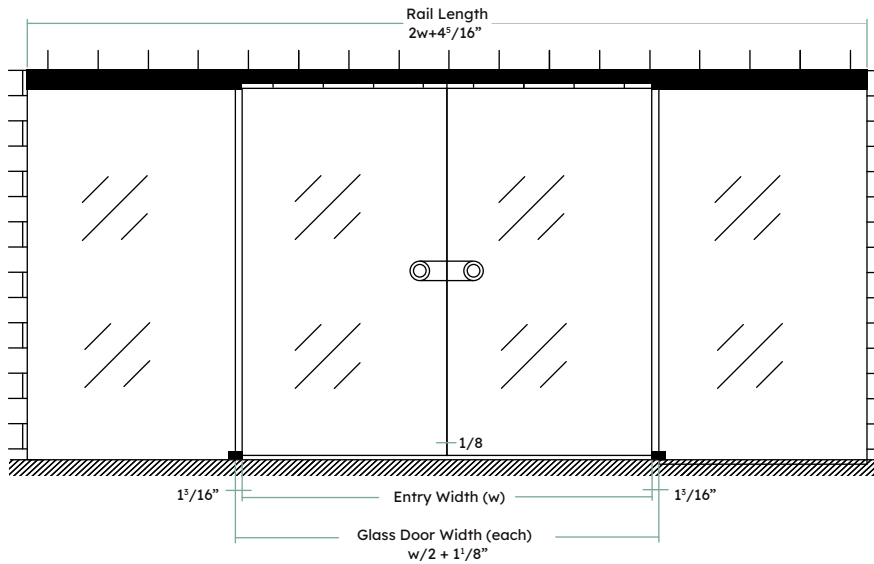
Side Panel Height = See diagram to the right

SLIDING DOOR ACCESSORIES PARTS	QTY	COVERT
Carriage	2	
Stopper	2	
End Cap	2	
Bottom Guide	1	
Soft Closing Mechanism	2	
Side U channel (51") (sold separately)	1	

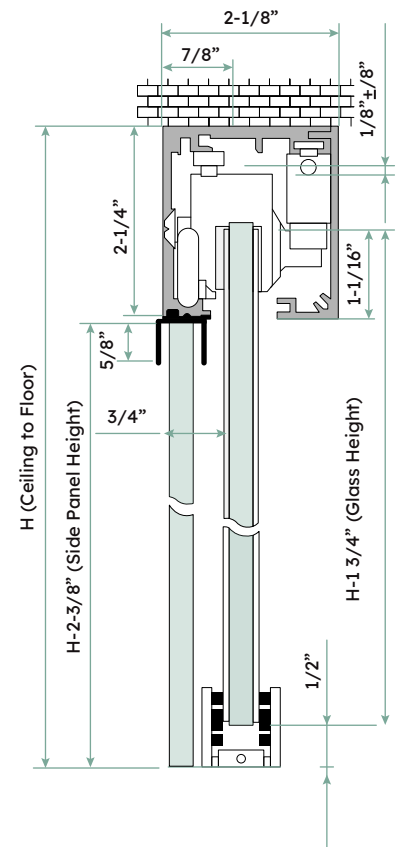
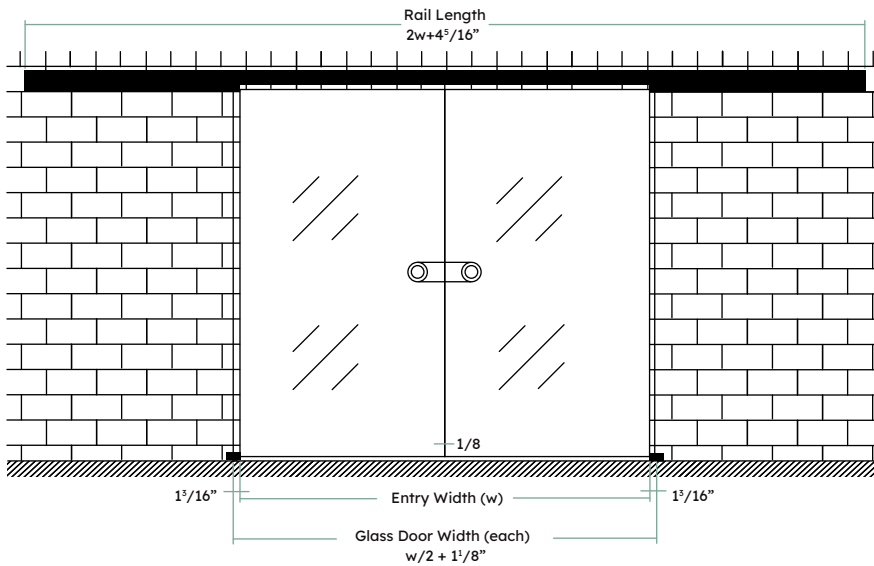


Heavy Duty Soft Close Sliding System Standard Double Door

Double door ceiling mounted with sidelites



Double door Surface mounted



SPECIFICATIONS

Glass Sizes: 3/8" (10mm) to 1/2" (12mm) thick tempered safety glass

Min. Rail Length: (2 x Opening Width) + 4-5/16"

Min. Door Width: 29-1/2"

Max Door Width: 55"

Max Door Weight: 330 lbs

Max. Height: 2.5 times the Width of the door

Door Width (each) = (Opening Width / 2) + 1-1/8"

Door Height = See diagram below

Side Panel Height = See diagram below

Heavy Duty Soft Close Sliding System

Standard Glass Mounted Sliding Door

SPECIFICATIONS

Glass Sizes: 3/8" (10mm) to 1/2" (12mm) thick tempered safety glass

Min. Rail Length: (2 x Opening Width) + 4-5/16"

Min. Door Width: 29-1/2"

Max Door Width: 55"

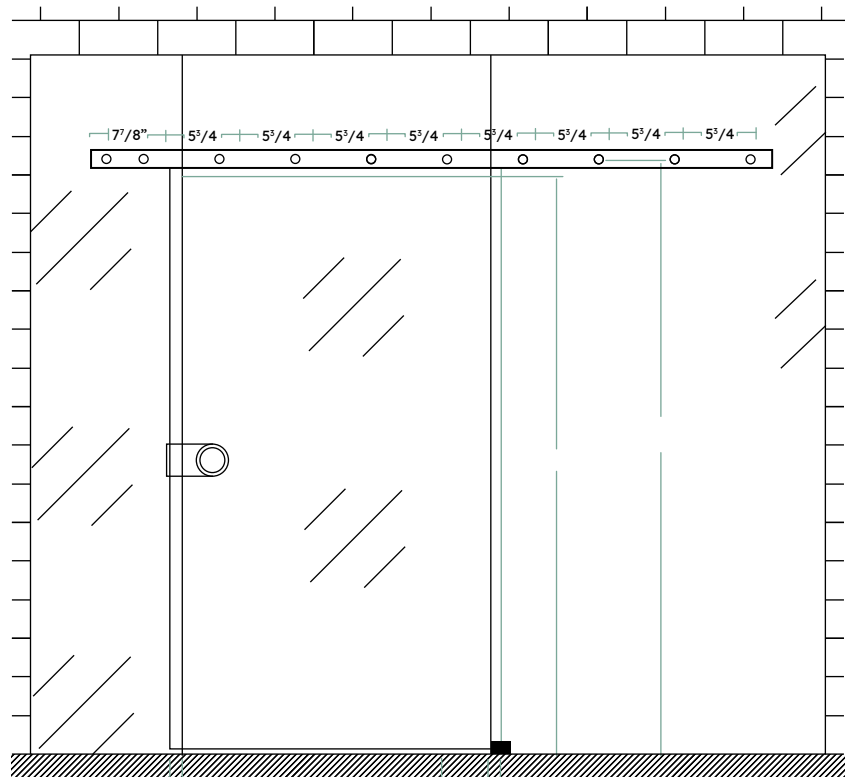
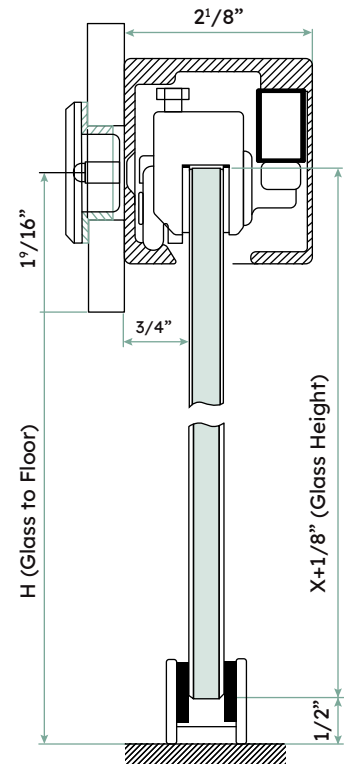
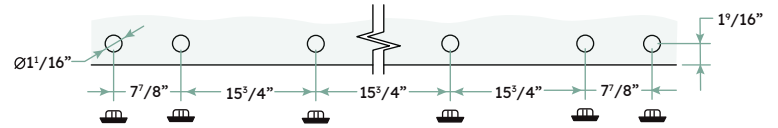
Max Door Weight: 330 lbs

Max. Height: 2.5 times the Width of the door

Door Width (each) = (Opening Width / 2) + 1-1/8"

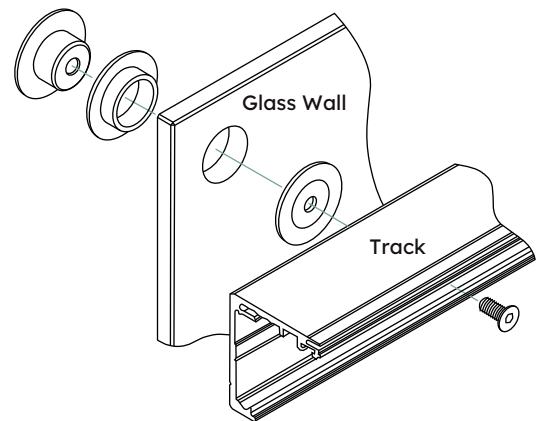
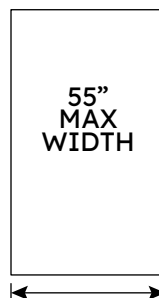
Door Height = See diagram below

Side Panel Height = See diagram below



1³/₁₆" Entry Width (W) 1³/₁₆"

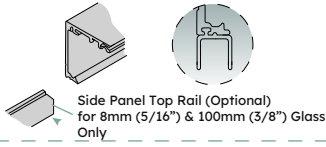
Glass Door Width
w+2⁵/₈"



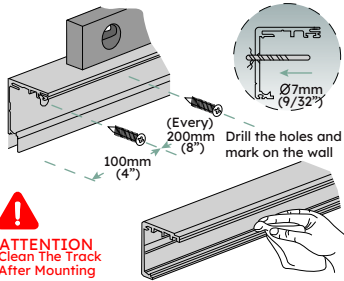
Heavy Duty Soft Close Sliding System

Nove series

1. Side Panel Top Rail (Optional)

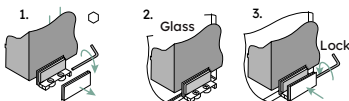


2. To Wall / Ceiling / Glass

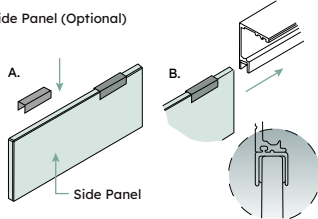


3. Bottom Guide (Adjustable Glass)

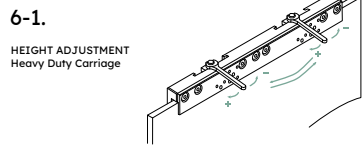
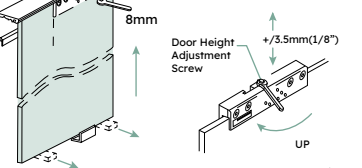
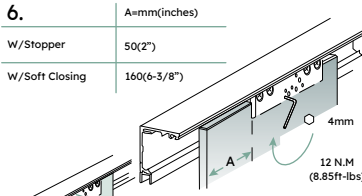
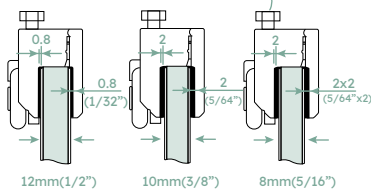
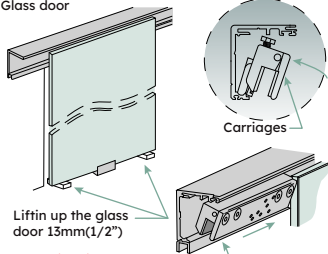
Glass Thickness	A=mm(inches)
12mm(1/2")	24.8(31/32")
10mm(3/8")	23.8(15/16")
8mm(5/16")	22.8(7/8")



4. Side Panel (Optional)

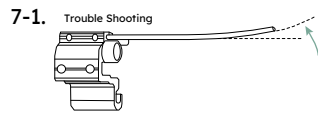
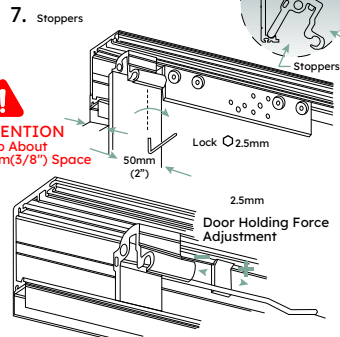


5. Standard for 8mm (5/16") & 10mm (3/8") Glass door

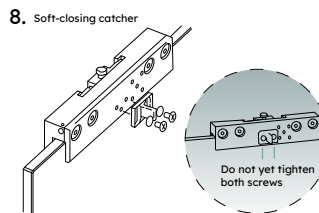


Ensuring rollers on both sides (total 4 rollers) touch on the rail before adjusting door height. Turn the height adjustment screw on both sides evenly and at the same time.

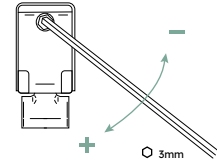
PLS SKIP STEP 8-10 FOR INSTALLING WITHOUT SOFT CLOSING DEVICE
PLS SKIP STEP 7 FOR INSTALLING SOFT CLOSING DEVICE



If the stopper spring rubs against the carriage, it may be the result of uneven wall, pls. Take out the stopper, and bending the spring in the arrow direction to make it slightly curved (as shown above), then re-installing the stopper.



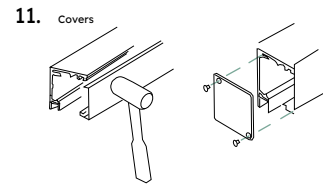
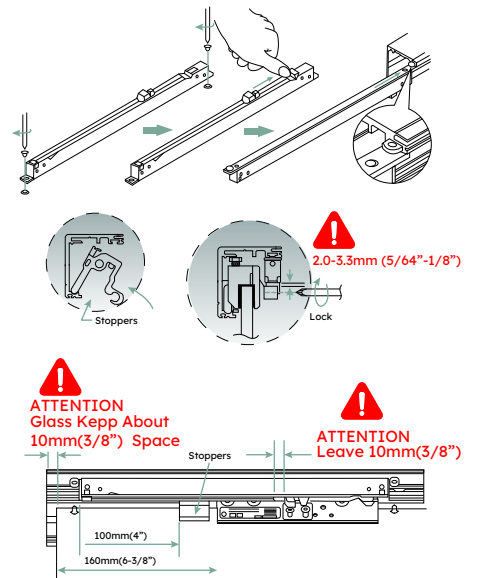
9. Soft-closing strength adjustment



Default	40Kgs(88Lbs)	80Kgs(176Lbs)	120Kgs(264Lbs)
15	60Kgs(132Lbs)	100Kgs(220Lbs)	135Kgs(297Lbs)
30	80Kgs(176Lbs)	120Kgs(264Lbs)	150Kgs(330Lbs)

Calculating Door Weight =
Door height (cm)xDoor width (cm) x Door Thickness (cm)
X0.0026 (density)
Door height (inch)xDoor width (inch) x Door Thickness (inch)
X0.0094 (density)

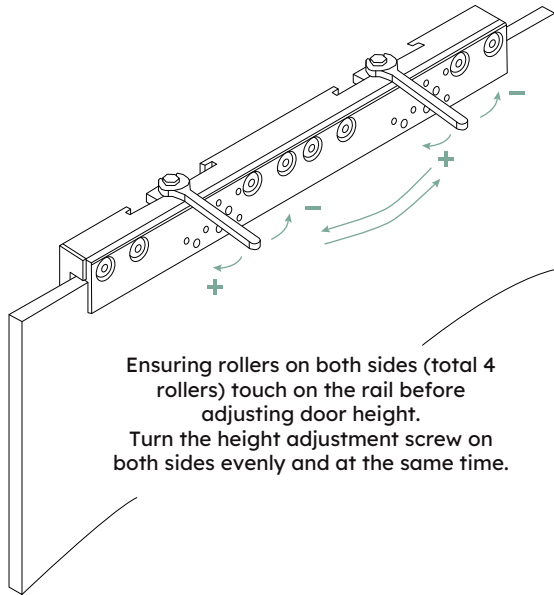
10. Soft-closing & Stopper



Patented in many countries

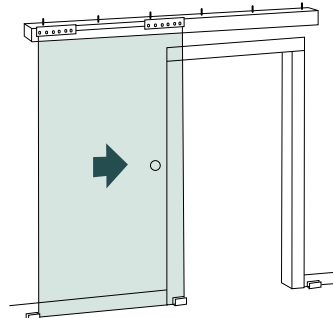
Heavy Duty Soft Close Sliding System

Height Adjustment

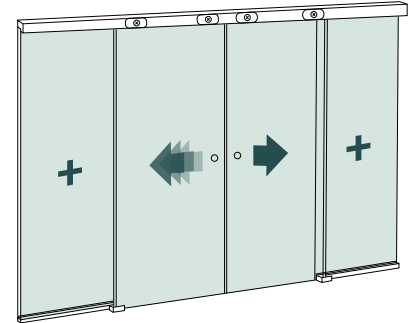


Ensuring rollers on both sides (total 4 rollers) touch on the rail before adjusting door height.
Turn the height adjustment screw on both sides evenly and at the same time.

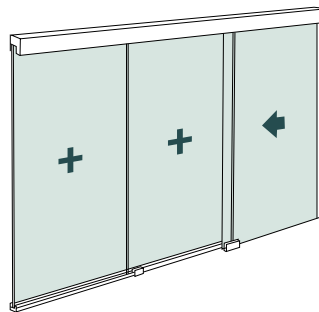
Multiple Configurations



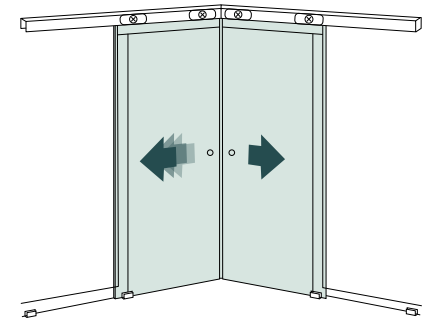
SINGLE GLASS DOOR
SURFACE MOUNT



BI PARTING DOUBLE GLASS
DOORS W/ 2 FIXED PANELS



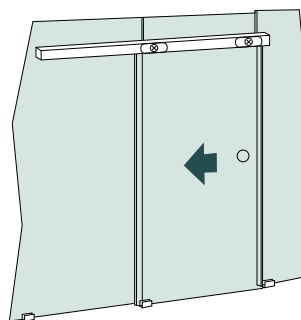
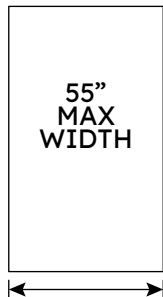
2 FIXED GLASS PANELS AND
1 SLIDING GLASS DOOR



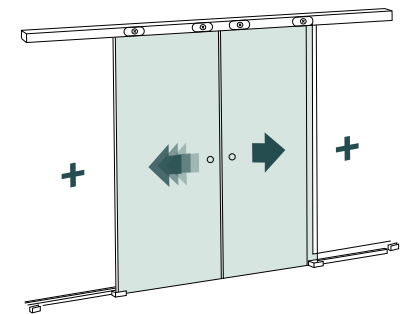
90° CORNER UNIT W/ DOUBLE
BI PARTING GLASS DOORS

3 Years Warranty

DIN EN 1527 CERTIFIED
100,000 CYCLES TESTED



SINGLE GLASS DOOR
TRANSOM MOUNT



BI PARTING DOUBLE
GLASS DOORS