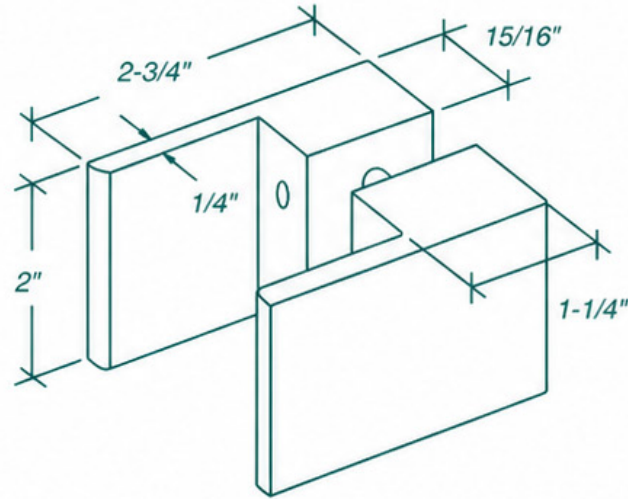


PADDLE HANDLE

Paddle Handle Back to Back Mount

SPECIFICATIONS

Glass Sizes: 1/4" to 1/2" (6 to 12 mm) Tempered Glass Only
Construction: Solid Brass
Fabrication Required: (2) 1/2" Diameter Holes
Includes: Paddle handle body, gaskets, mounting hardware, and fabrication template
Use: Residential Bath and Commercial Hotel Applications



DO NOT MEASURE / SCALE DRAWING
 USE DIMENSIONS SHOWN



GASKET SPECIFICATIONS:

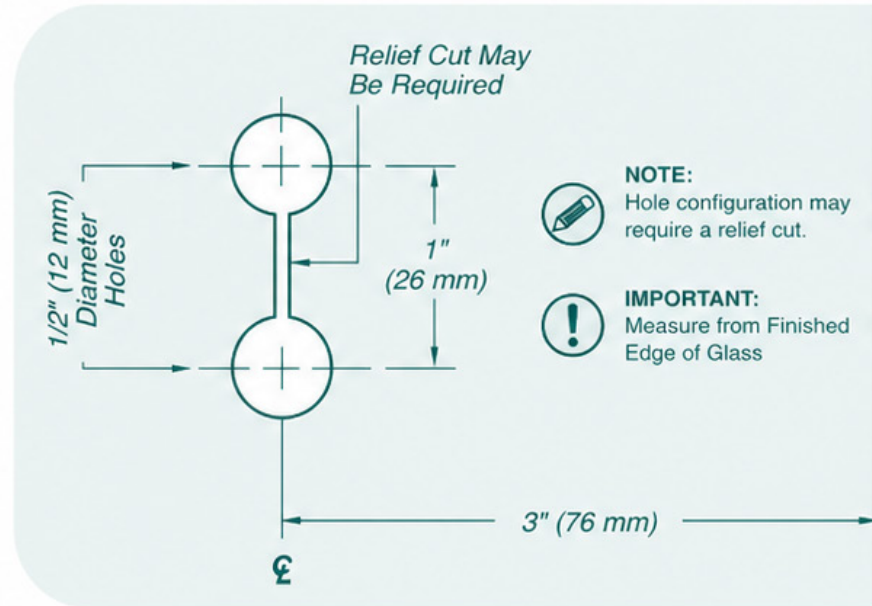
For 1/4" (6 mm) Glass: Use One Thin Gaskets On Each Side
For 1/2" (12 mm) Glass: Use One Thin Gaskets On Each Side

GLASS INSTRUCTIONS:

Only use tempered safety glass.
 Two 1/2" (12 mm) Diameter Hole in Glass.

CARE & CLEANING GUIDELINES:

For best results, keep the following recommendations in mind when caring for you Glaze shower door hardware. Your shower door hardware should be dried daily with a soft towel or cloth to insure its original finish. Do not use harsh cleaners or chemicals on the hardware, as many of the components are coated with a clear lacquer that will become damaged beyond repair. Always test your cleaning solution in an inconspicuous area prior to cleaning the entire hardware surface. Wipe surfaces clean using a soft dampened cloth or sponge and rinse completely with warm water immediately after applying the cleaning solution. Use only small amounts of liquid, gentle cleaner. Never use abrasive products, sponges, or wire scrub brushes while cleaning hardware.



USE ONLY
 MONOLITHIC
 TEMPERED GLASS

Phone: (813) 922-2309
glazehardware.com



GLAZE
 HARDWARE