

INSTALLATION INSTRUCTIONS

GLAZE PRINCE SYSTEM SERIES PRINCE SLIDING DOOR KIT.



Phone: (813) 922-2309
glazehardware.com

Please keep this manual and the product code number for future reference and to order replacement parts if necessary

GENERAL INSTRUCTIONS

- Please read this manual carefully and thoroughly before proceeding.
- For your safety, it is recommended that you wear safety glasses at all times during installation.

INSTALLATION OVER CERAMIC TILES

- If you are installing the shower door over ceramic tiles, make sure that the tiles lay completely under the wall jamb.
- Use mildew resistant silicone to seal the gaps where the ceramic tiles meet the fixed panel.

NOTICE

- Caulking is not required inside the shower, unless otherwise stated.
- Some models are equipped with clear sealing gaskets.

CARE FOR YOUR SHOWER DOOR

- Do not use scouring powder pads or sharp instruments on metal pieces or glass panels.
- To keep the panels and metal parts looking new, occasionally wipe them down with a mild soap diluted in water.
- We recommend wiping the glass panels with a squeegee after each use.





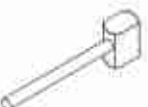







2 PEOPLE REQUIRED

Product specifications are subject to change without notice.

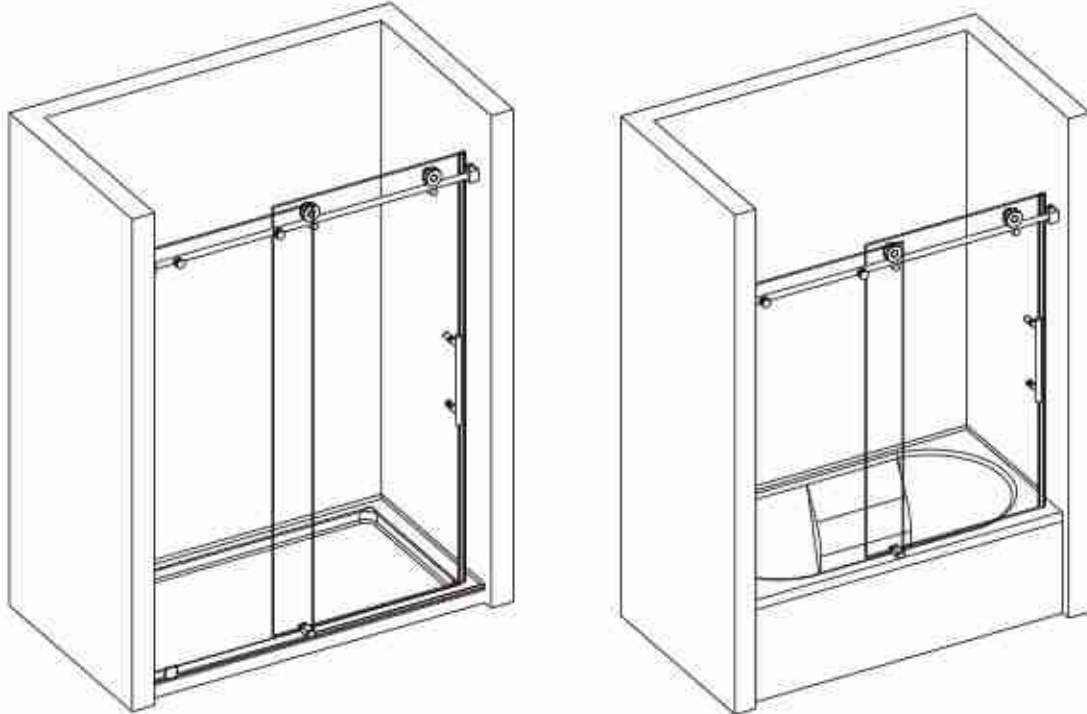
SLIDING SYSTEM TEMPLATE

TOOLS REQUIRED

 SPIRIT LEVEL	 POWER DRILL	 PENCIL	 SILICONE	 MALLET
 TAPE MEASURE	 SCREW DRIVER	 8mm (5/16") DRILL BITS	 HACKSAW	 SAFETY GLASSES

* Use a 8mm(5/16") drill bit for ceramic when drilling into ceramic tiles.

CHOOSE A CONFIGURATION



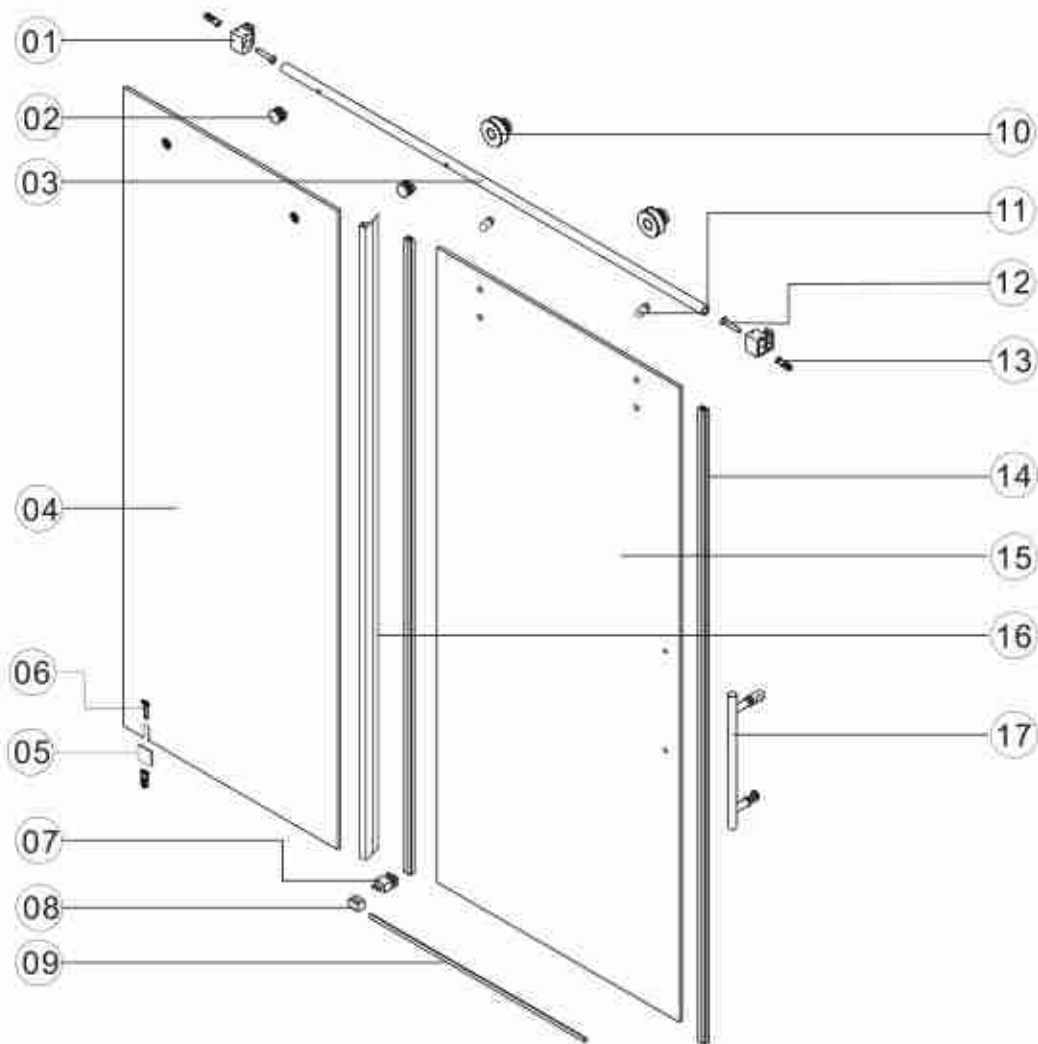
**For bath tub model,
please refer to step 6**

PRINCE SLIDING DOOR KIT



*Our products are available in a variety of colors and sizes to suit your needs.

PARTS LIST

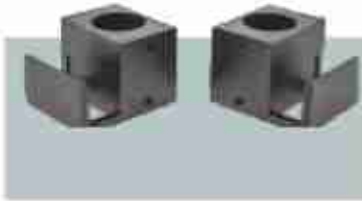


ITEM	PARTS	DIAGRAM	QTY	ITEM	PARTS	DIAGRAM	QTY
1	Wall mount bracket		2	10	Ø70 Roller		2
2	Fixed panel bracket		2	11	Anti-jump nail		2
3	Header bar		1	12	Screw St5x45		2
4	Fixed panel		1	13	Wall anchor Ø8		3
5	Square wall clamp		1	14	Door plastic seal		2
6	Screw St5x45		1	15	Sliding door		1
7	Bottom guide for door glass		1	16	Fixed panel plastic seal		1
8	Bottom guide for fixed glass		1	17	Handle		1
9	Threshold		1				

PARTS LIST



■ Tubular Header Bar
Length: 48"-98"
304 Stainless Steel



■ Wall Mount Bracket
304 Stainless Steel



■ Fixed Panel Bracket
304 Stainless Steel



■ Rubber Cushion



■ Aluminum Threshold



■ Solid Brass
Square Wall Clamp



■ Roller - Diameter: 70mm
304 Stainless Steel



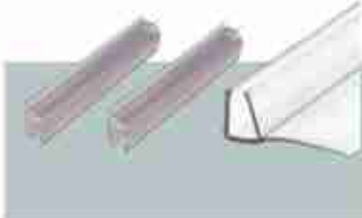
■ 12" Pull Handle
304 Stainless Steel



■ Bottom Guide
Length: 2-3/4"
304/316 Stainless Steel

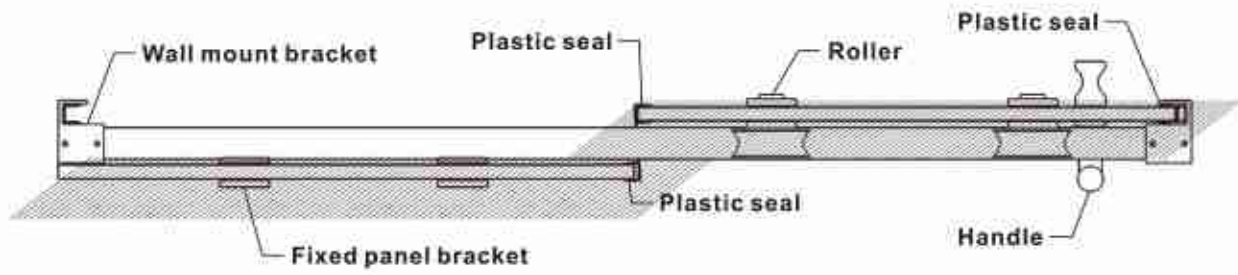
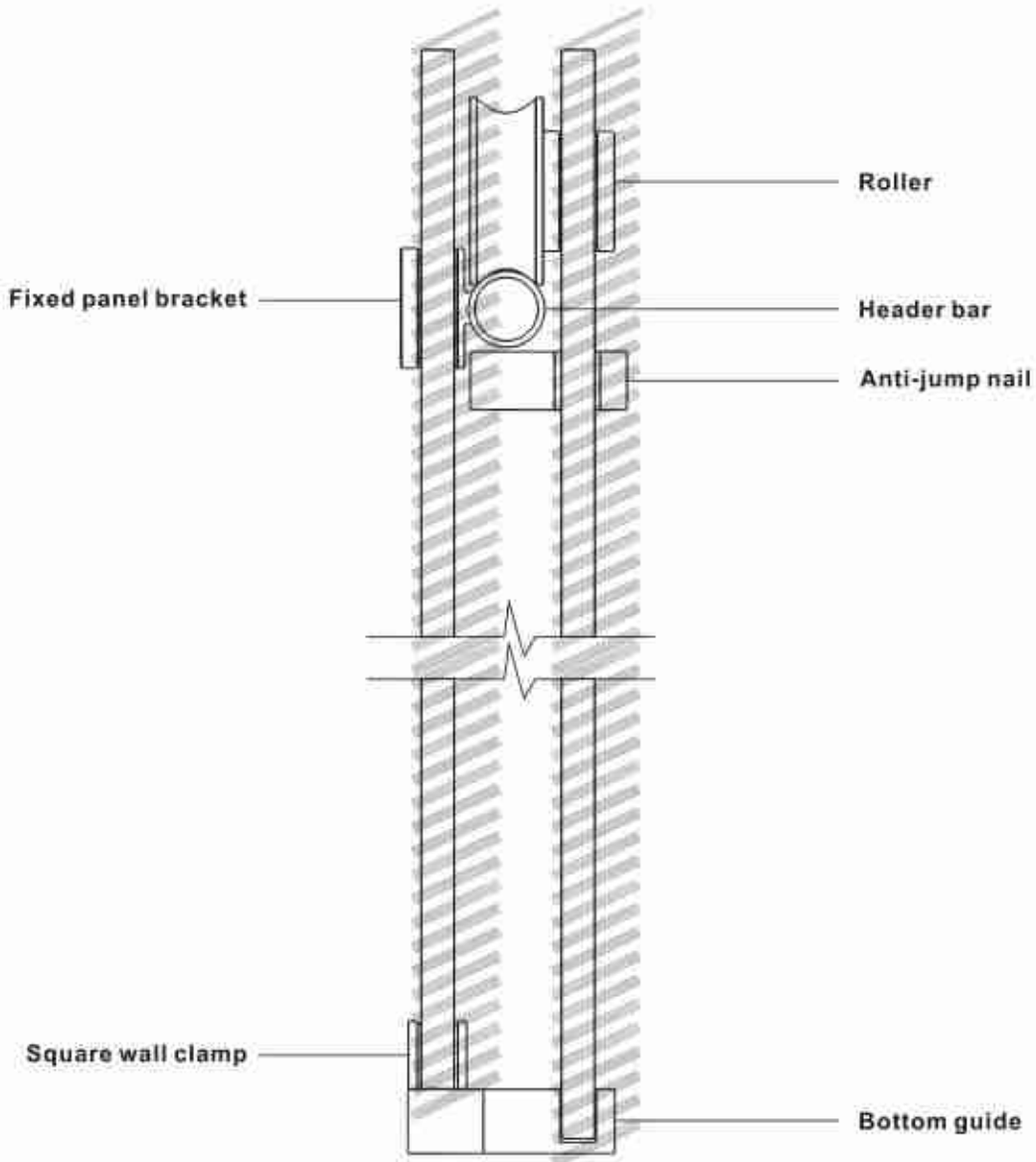


■ Anti-Jump Nail
304 Stainless Steel



■ 2 Glass-To-Wall Sealing
Strip And 1 Gap Fin-Seal

SECTION DIAGRAM



SLIDING SYSTEM TEMPLATE



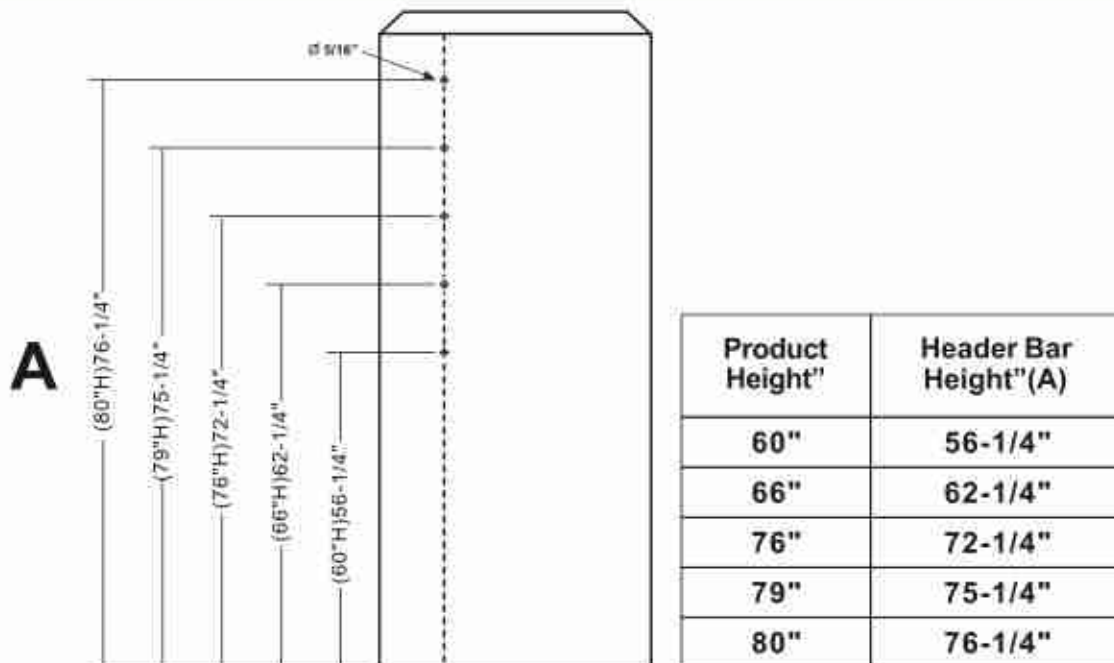
Left



Right

* Before starting the installation, decide whether to install the door on the left or right side based on the specific conditions at the site.

PRINCE DRILLING GUIDE



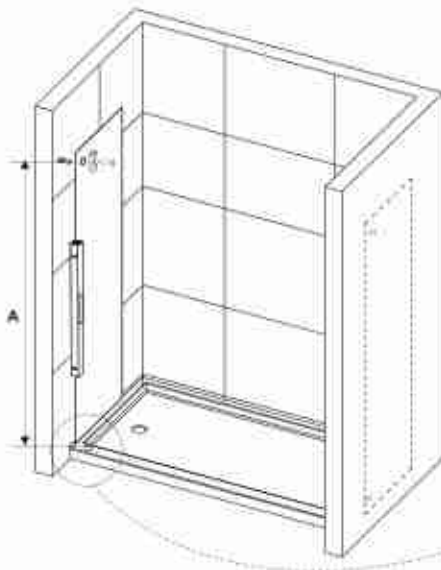
ATTENTION

Please verify the measurements with a tape measure before drilling any holes in the wall.

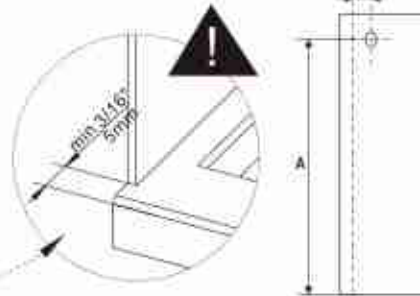
STEP 1

Installation of the top header

Product Height"	Header Bar Height"(A)
60"	56-1/4"
66"	62-1/4"
76"	72-1/4"
79"	75-1/4"
80"	76-1/4"



*Please verify the measurements with a tape measure before drilling any holes in the wall.



*Use a spirit level or laser level to measure the wall. Once aligned horizontally, attach the height template to both sides of the wall.



*Mark these locations with a pen, ensuring precision and clarity for accurate positioning during subsequent drilling.



*Select the appropriate hole positions according to the height of the shower door you purchased. Drill the holes using a 5/16" drill bit.



*Insert wall anchors into the drilled holes.



*Use an Allen wrench to remove the wall mount bracket covers.

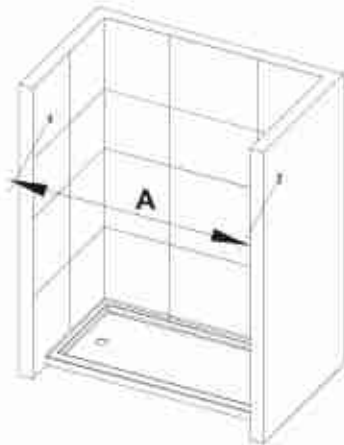


*Align the brackets with the holes and securely tighten them with screws.

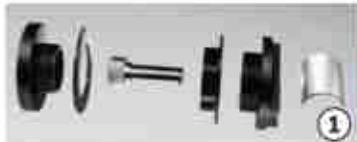
SLIDING SYSTEM TEMPLATE

STEP 2

Installation of the top header



- *Measure the desired length and use a saw to accurately cut the stainless to size, ensuring the edges are smooth and flat.
- *When cutting the stainless steel header bar, make the cut on the side without holes to allow for adjustment.



- *Disassemble the glass fixing fittings.
- *Insert the cylinder fixing blocks into the stainless steel header bar, ensuring that the holes align with the pre-drilled holes on the header bar. Then, arrange the fittings in order and secure them with screws.

STEP 3

Installation of the top header

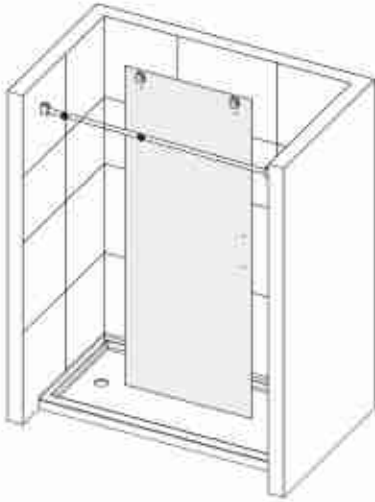


- *Insert the two wall mount bracket covers into the rails. Align them with the installed wall mount brackets and push them securely into place.
- *Use an Allen wrench to securely tighten the screws on both sides of the covers.

SLIDING SYSTEM TEMPLATE

STEP 4

Installation of the glass door rollers

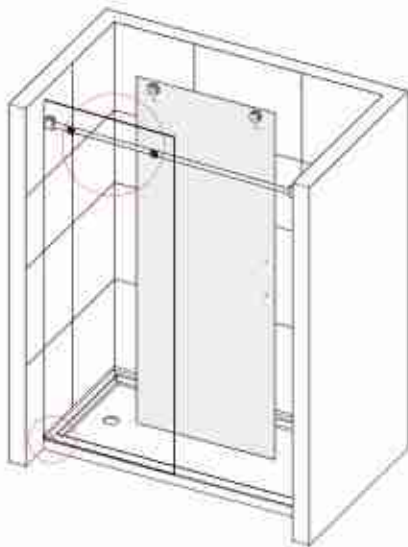


*Place the pulleys in the correct order on the holes in the glass door, after tightening the pulleys using the screws and placing the inner glass inside. Please use a mat or soft cloth on the placement area to protect the door and the floor.



STEP 5

Installation of fixed panel & square wall clamp



*Secure the glass to the track first to ensure accurate installation of the bottom guide.



STEP 6

Installation of fixed panel & square wall clamp



- *Use a level to ensure the glass is vertically aligned, and mark the positions of the glass clamping holes with a marker.
- *Loosen the covers, remove the glass from the track, and place it in a safe location.
- *Use a 5/16-inch drill bit to drill 5/16-inch holes.
- *Insert anchors into the ground, align the clamps with the holes. Tighten them with screws, and then install the glass gasket.
- *Align the glass-holding holes with the slide hangers. Install the spacers, and securely tighten the knobs using an Allen wrench.
- *At the bottom, install the gasket and cover, then securely tighten the screws from the inside using an Allen wrench.

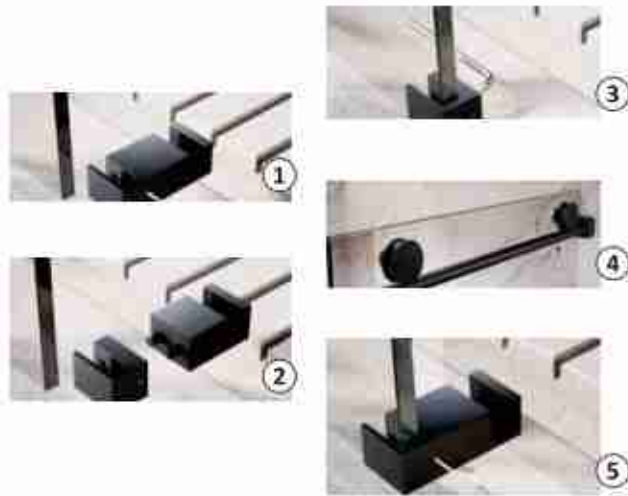
WARNING



When purchasing a bathtub shower enclosure model, please install the glass clamp securely on the wall.

STEP 7

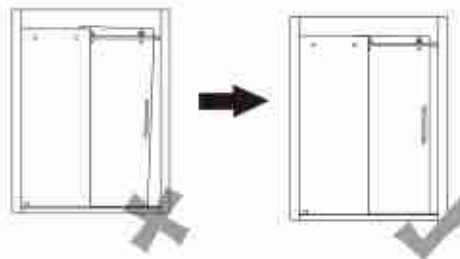
Installation of bottom guide



- *Remove the bottom guide, snap the left-side piece onto the glass first, and then tighten the side screws.
- *When installing the glass on sliding rail, ensure both wheels are securely seated and glide smoothly along the rail for safe operation.
- *Ensure the glass snaps securely into place against the bottom guide, then push it in and tighten the screws to secure its position.

STEP 8

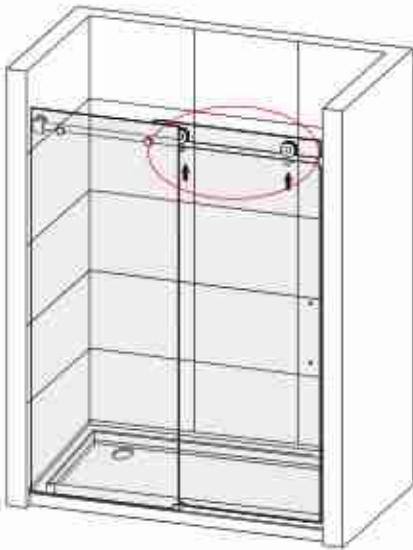
The correct method of installing glass



- *If you notice that the glass is not level at the top and bottom, adjust the eccentric screw on the wheels to ensure the glass is level.

STEP 9

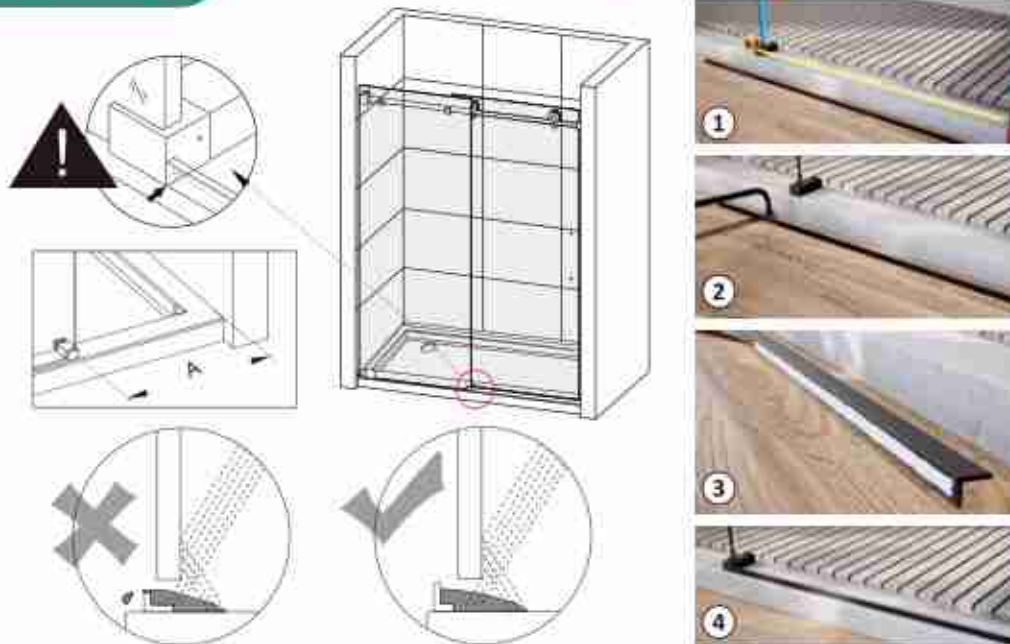
Installation of anti-jump nails



*After ensuring the glass is level, install anti-jump nails to prevent the glass from accidentally falling and causing injury.

STEP 10

Installation of the water stopper in the bottom fixture recess

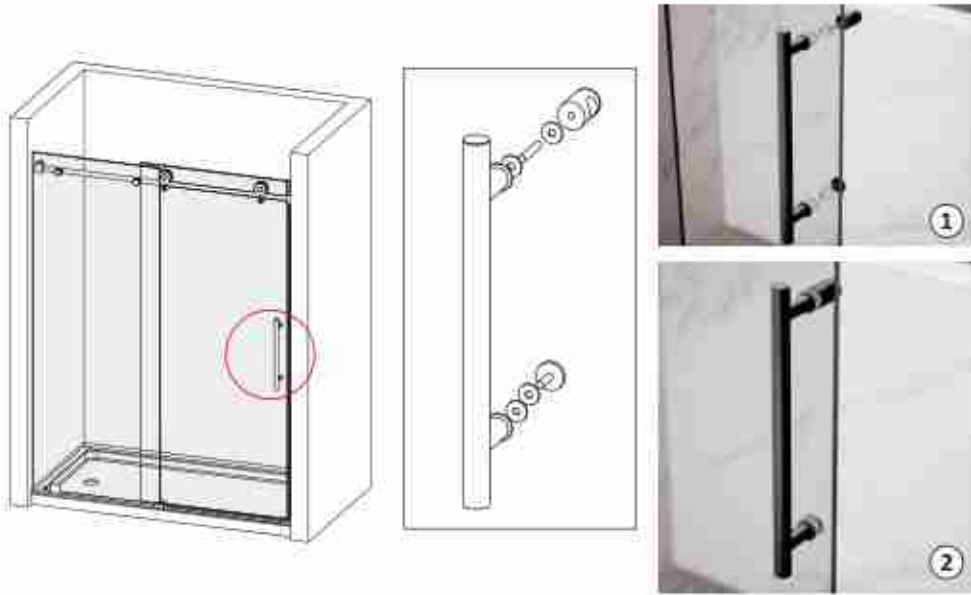


*Measure the desired length and use a saw to cut the aluminum to the correct size. Ensure the edges are smooth and flat.

*To ensure the threshold functions properly, apply glass adhesive to fill the bottom gap completely. Covering the entire bottom surface.

STEP 11

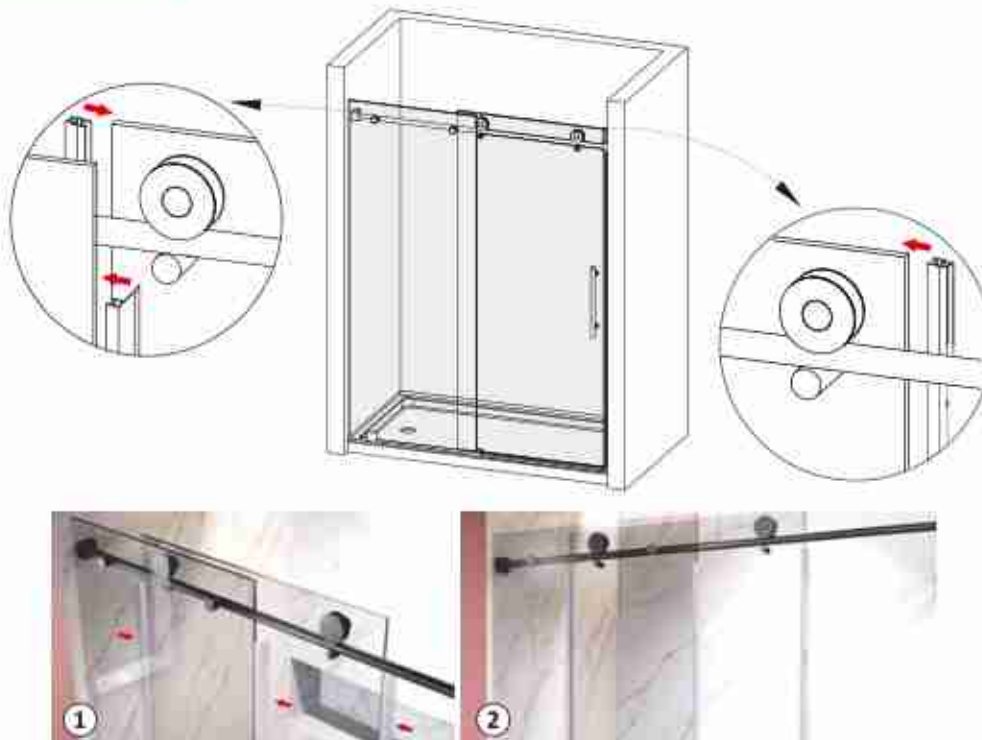
Installation of glass door handle



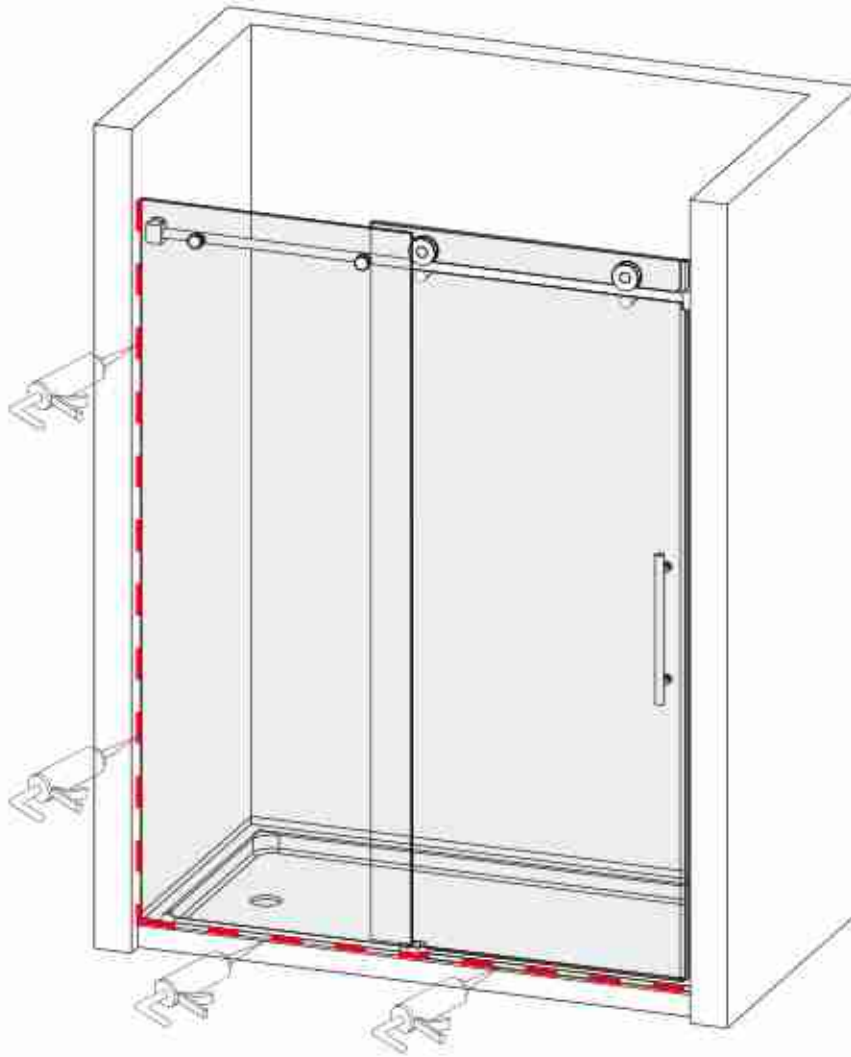
*Install the handle and gasket then tighten the small internal pull.

STEP 12

Install plastic seal along the edges of both glass panels



STEP 13



24 HOURS

*Wait 24 hours for the glass adhesive to cure.