

INSTALLATION INSTRUCTIONS

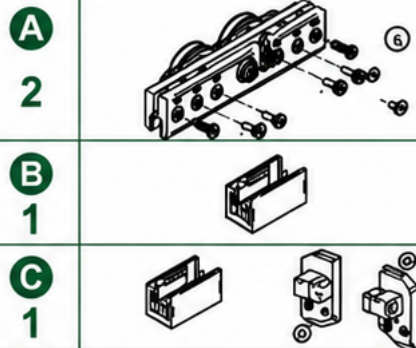
GLIDEWALL POCKET SINGLE SLIDING DOOR WITH SOFTBRAKE



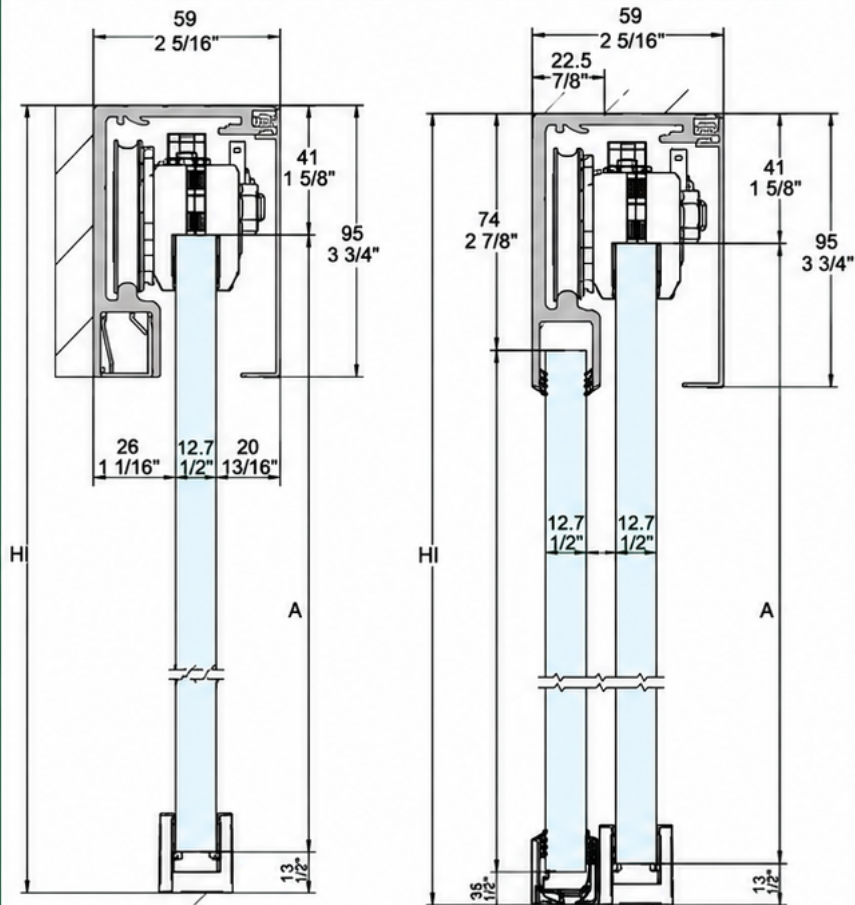
Phone: (813) 922-
2309
glazehardware.com

POCKET SINGLE SLIDING

MAX. 160Kg
MAX. 352Lb

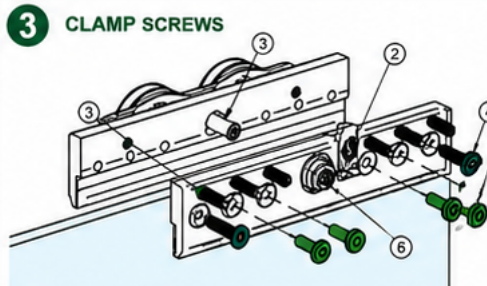
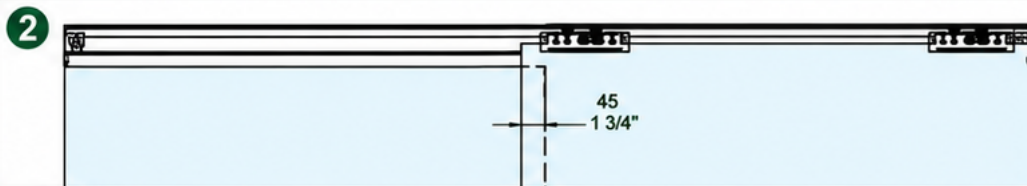


1 MINIMUM PANEL WIDTH AND CLAMP POSITIONING

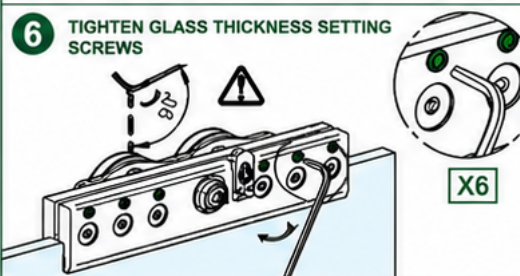
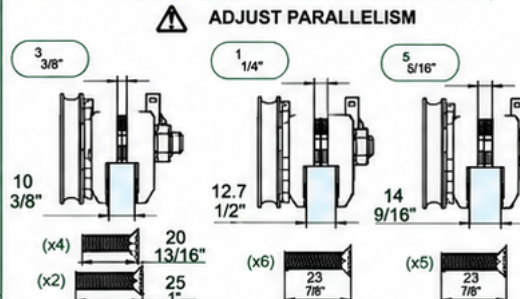
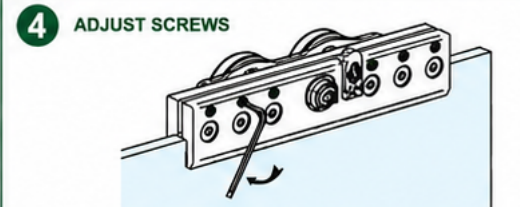
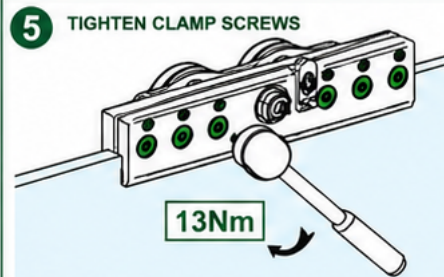


A = H - 54mm
A = H - 2 1/8"

A = H - 54mm
F = H - 84mm
A = H - 2 1/8"
F = H - 3 5/16"

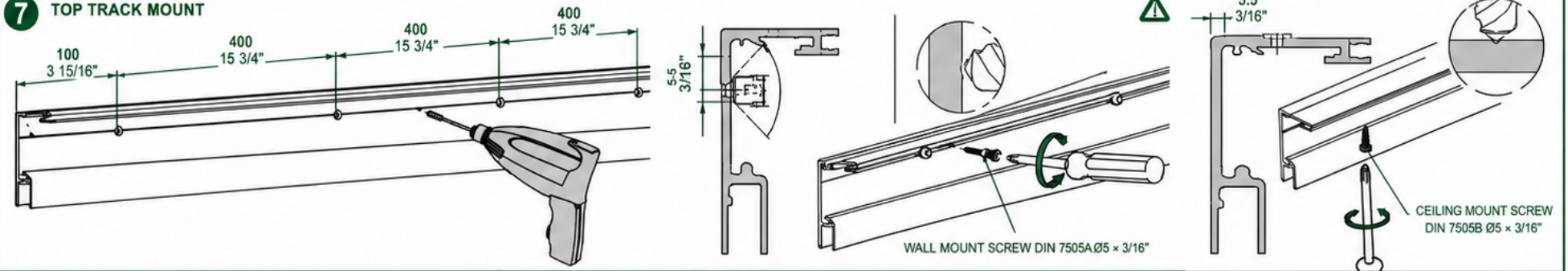


- (1) HEIGHT ADJUSTMENT SCREW
- (2) ANTI-JUMP SCREW
- (3) CLAMP TIGHTEN SCREW: 1/2"(GLASS 3/8" - 1/2"(GLASS 1/2" - 1/8"(GLASS 9/16")
- (4) CLAMP TIGHTEN SCREW: ONLY 1/2"(CENTRAL SCREWS FOR GLASS 3/8")
- (5) GLASS THICKNESS SETTING SCREW
- (6) HEIGHT ADJUSTMENT NUT

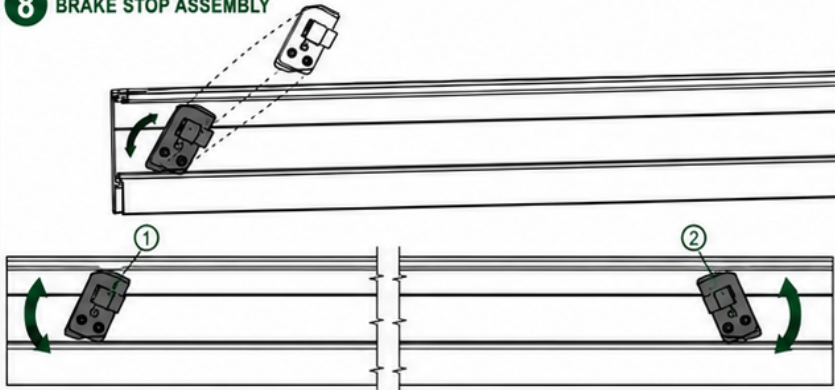


POCKET SINGLE SLIDING

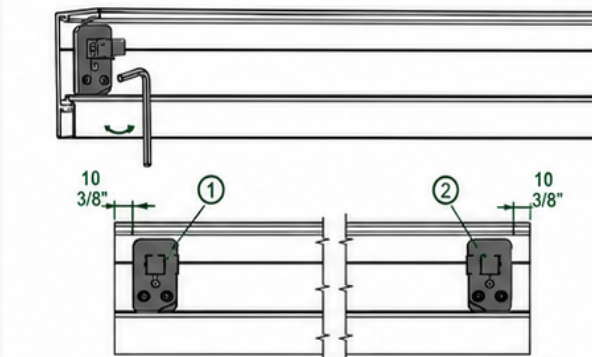
7 TOP TRACK MOUNT



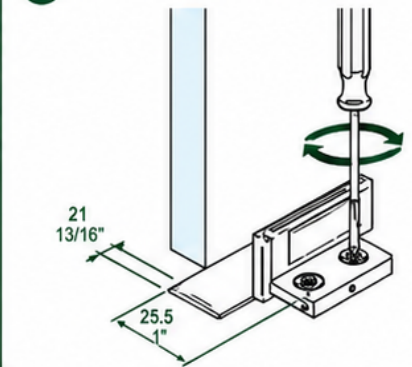
8 BRAKE STOP ASSEMBLY



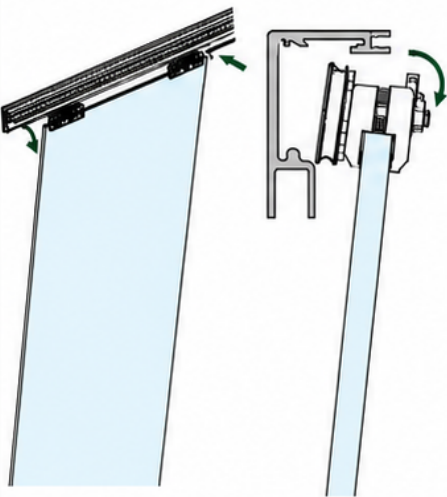
9 TIGHTEN SCREWS



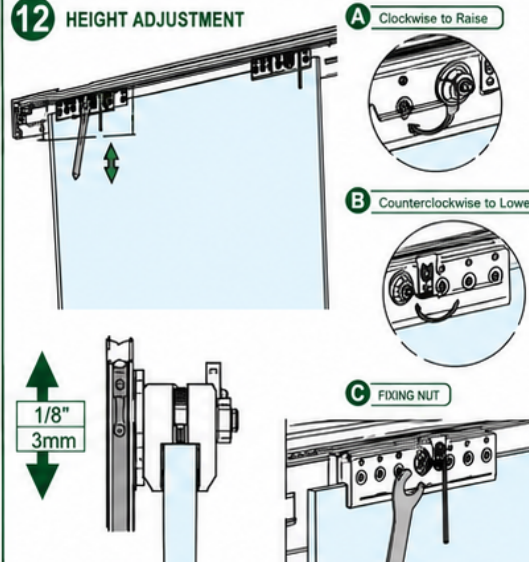
10 LOWER GUIDE INSTALLATION



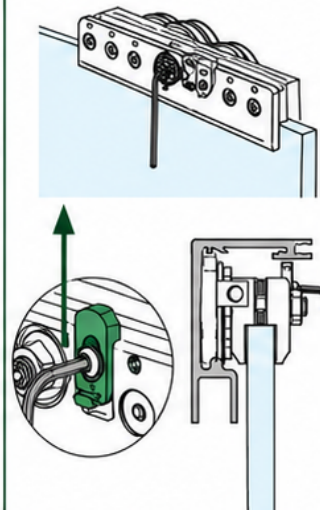
11 DOOR INSTALLATION



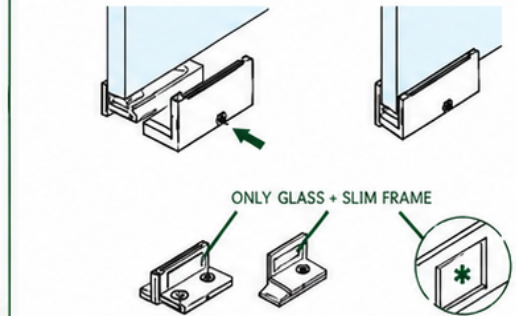
12 HEIGHT ADJUSTMENT



13 ANTI-JUMP SCREW



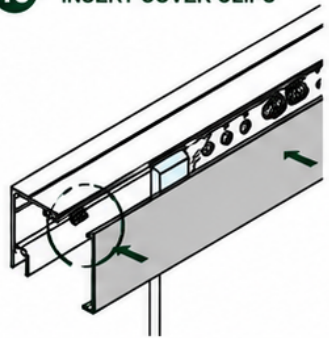
14 LOWER GUIDE INSTALLATION



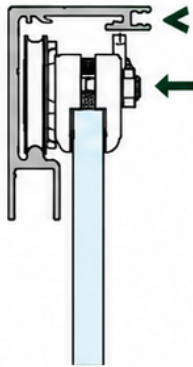
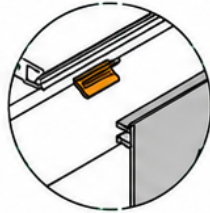
	GLASS 3/8"	GLASS 1/2"	GLASS 9/16" SLIM FRAME 1/2"	GLASS 3/8" ALUMINUM 5/16"	GLASS 15/32" ALUMINUM 1/2"
	10	12	14	10	14
	NO	NO	NO	YES	YES

POCKET SINGLE SLIDING

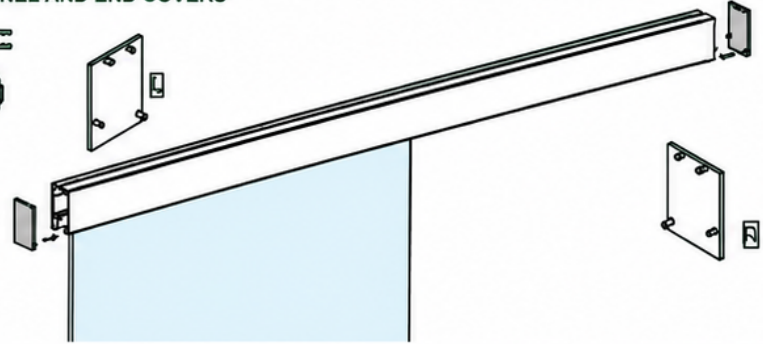
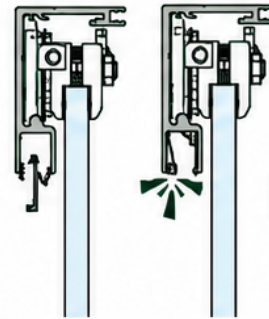
15 INSERT COVER CLIPS



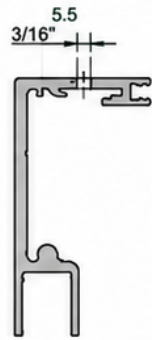
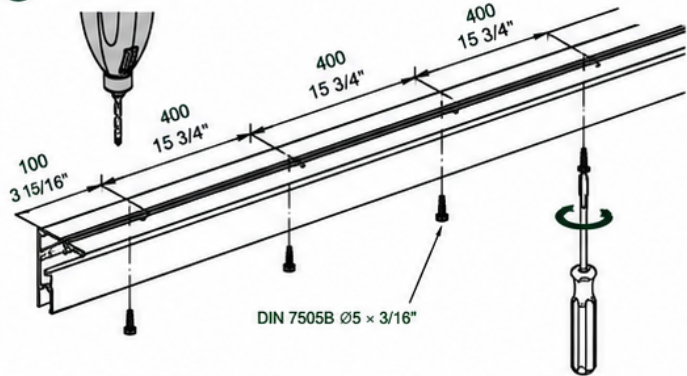
Number of clips	Track
5	72" - 83 1/2"
7	84" - 118 1/2"



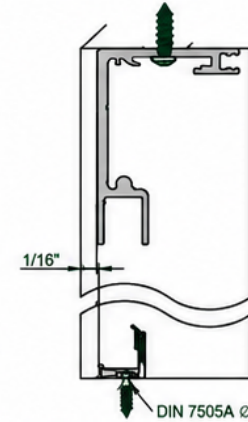
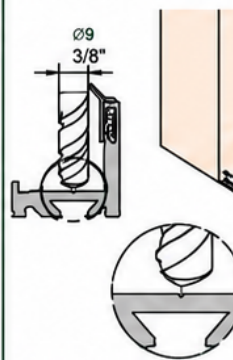
16 FIXED PANEL CHANNEL AND END COVERS



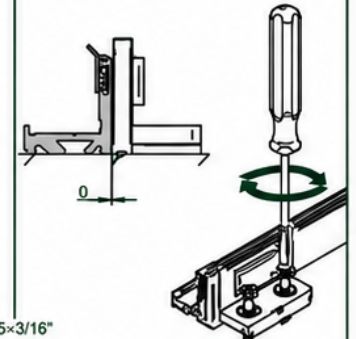
17 CEILING MOUNT WITH FIXED GLASS



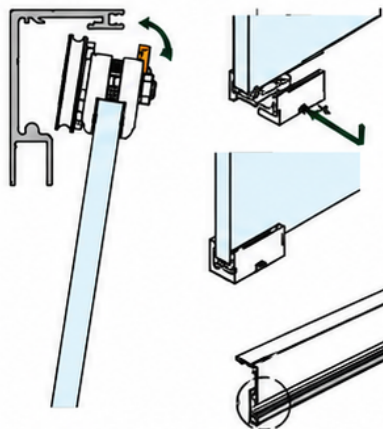
18 LOWER FIXED GLASS PROFILE



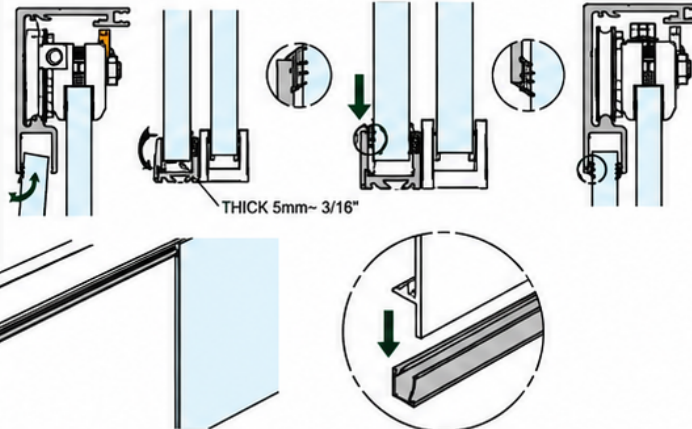
19 LOWER GUIDE



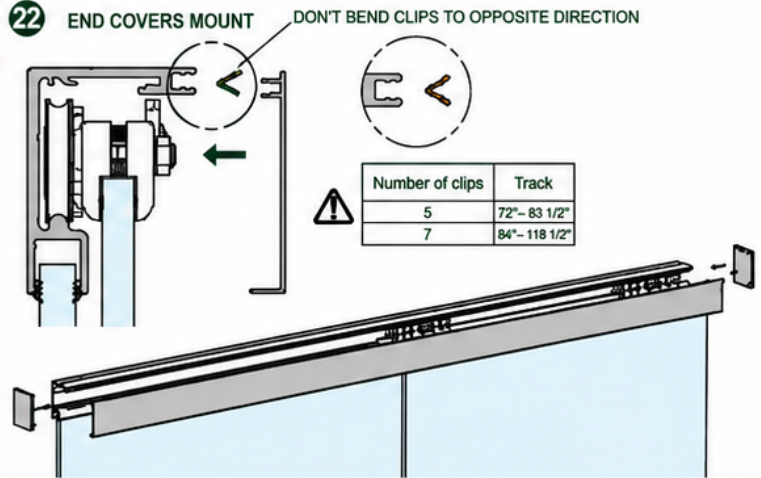
20 DOOR INSTALLATION



21 FIXED GLASS MOUNT



22 END COVERS MOUNT

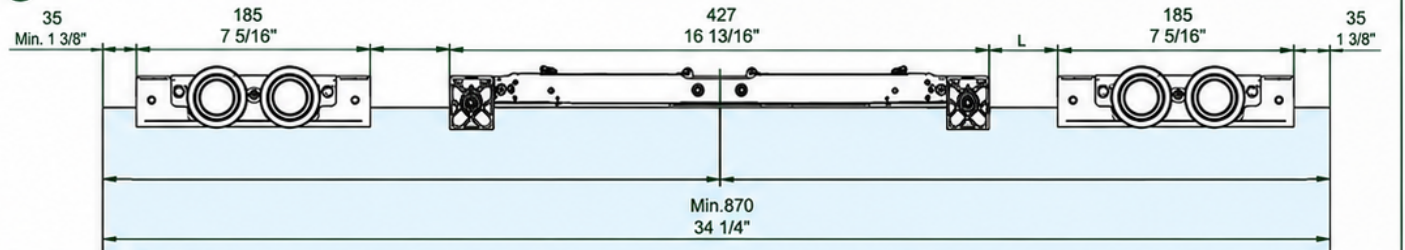


POCKET SINGLE SLIDING

**MAX.
160Kg**

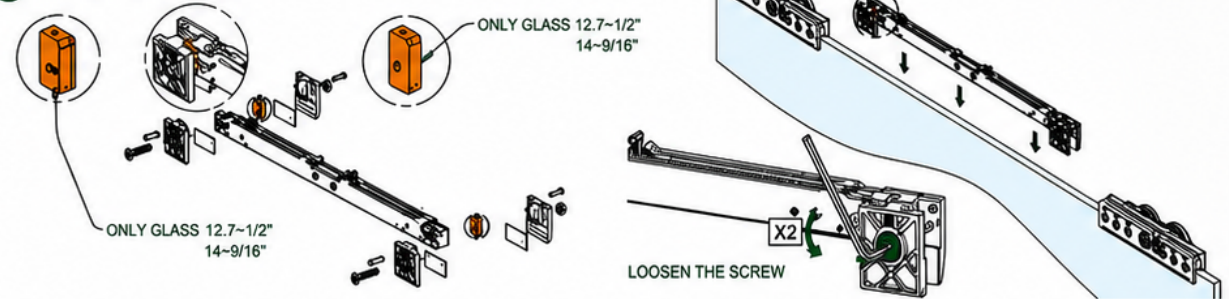
**MAX.
352Lb**

1 MINIMUM PANEL WIDTH AND CLAMP POSITIONING

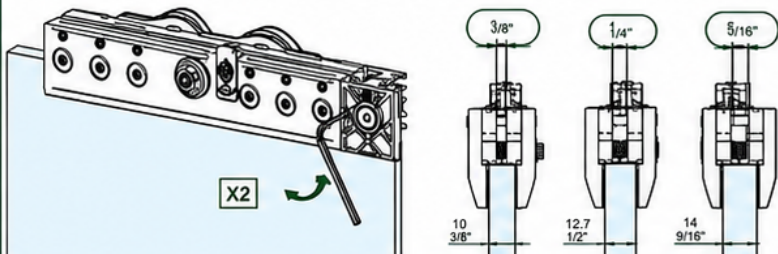


C 1		F 4		I 1	
D 2		G 4		J 1	
E 2		H 1			
K 2		L 2		M 2	

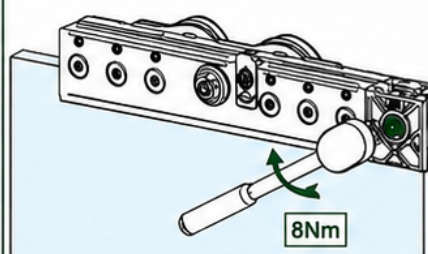
2 SOFTOP INSTALLATION



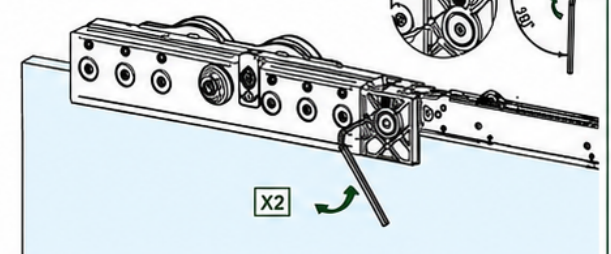
3 ADJUST GLASS THICKNESS SCREWS TO GAPS SHOWN



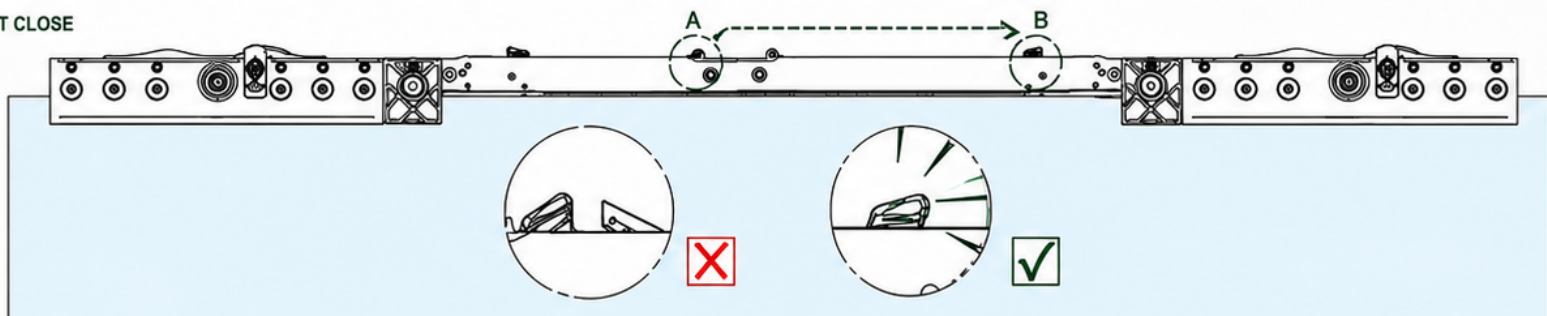
4 TIGHT THE CLAMP SCREWS



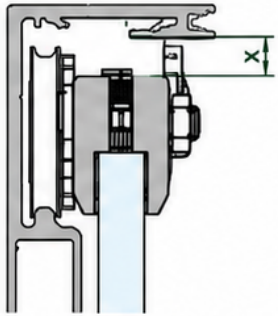
5 TIGHTEN GLASS THICKNESS SCREWS



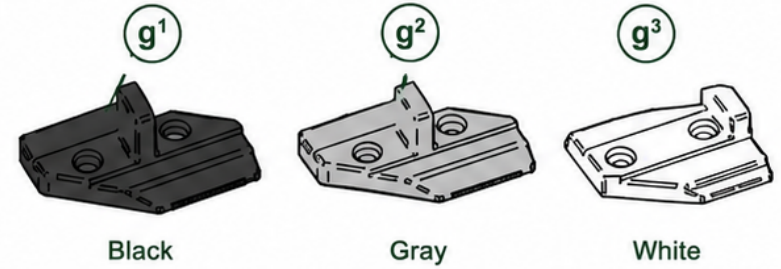
6 LOAD THE SOFT CLOSE



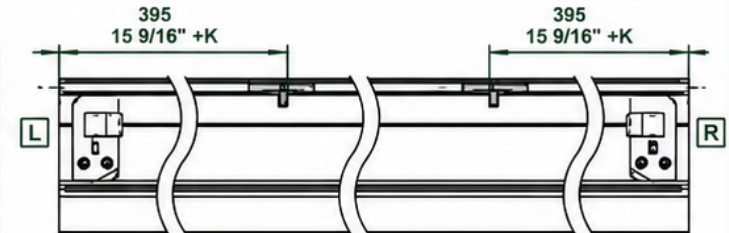
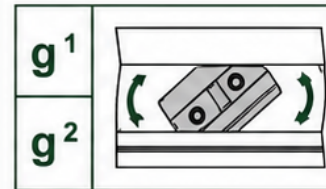
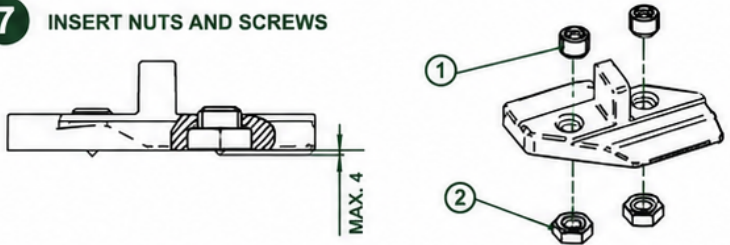
POCKET SINGLE SLIDING



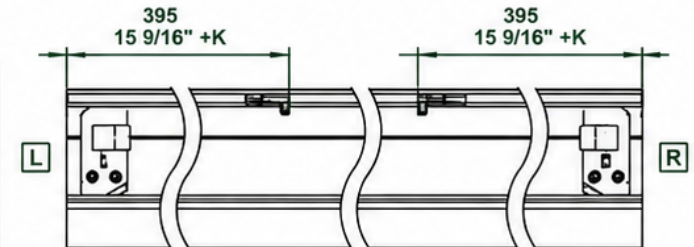
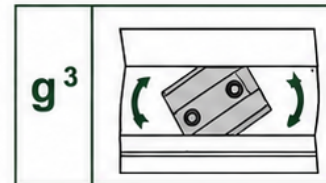
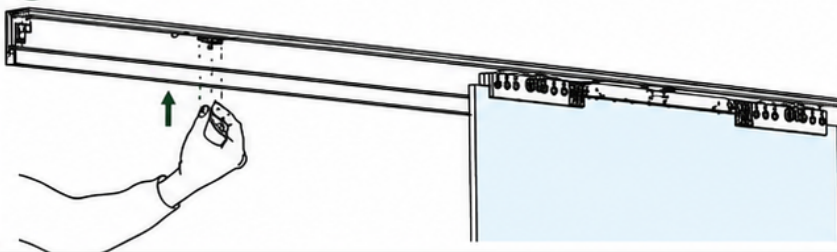
g¹		$X \geq 7/16''$ $X \geq 10,5\text{mm}$
g²		$5/16'' < X < 7/16''$ $8,5\text{mm} < X < 10,5\text{mm}$
g³		$X \leq 5/16''$ $X \leq 8,5\text{mm}$



7 INSERT NUTS AND SCREWS



8 MOUNT SOFT CLOSE ACTIVATORS



9 TIGHTEN THE SCREWS

