

Standard Duty Glass Clamp

SHOWER HINGE TEMPLATE



Wall Mount Glass Clamps SKU. RGC45

Specifications:

Glass Sizes: 3/8" to 1/2" (10 to 12 mm) Tempered Glass Only
Construction: Solid Brass
Cutout Required: Cutout No. SD26
Includes: Clamp body, glazing gaskets, mounting screws, and fabrication template.
Use: Residential Bath and Commercial Hotel Applications

GASKET SPECIFICATIONS:

For 3/8" (10mm) Glass:
Use One Thick Gasket On Each Side

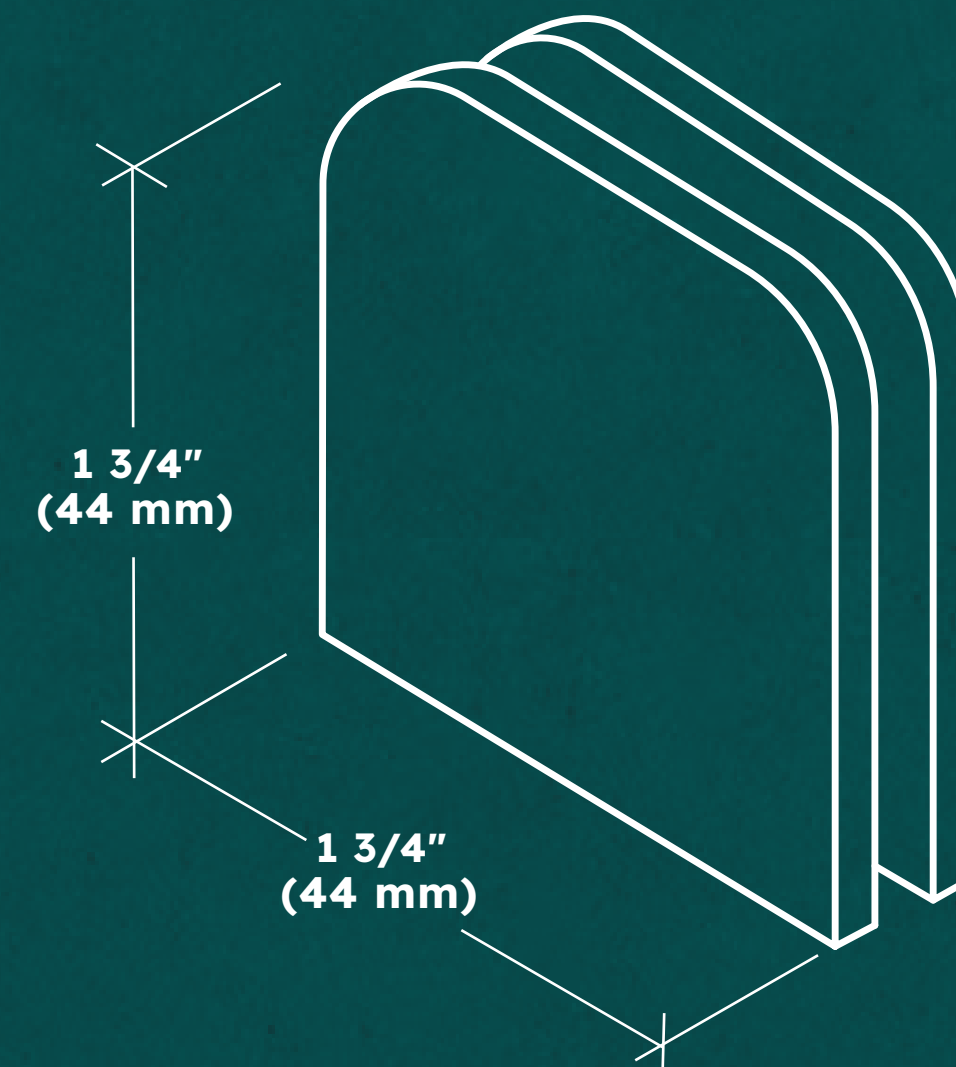
For 1/2" (12mm) Glass:
Use One Thin Gasket On Each Side

GLASS INSTRUCTIONS:

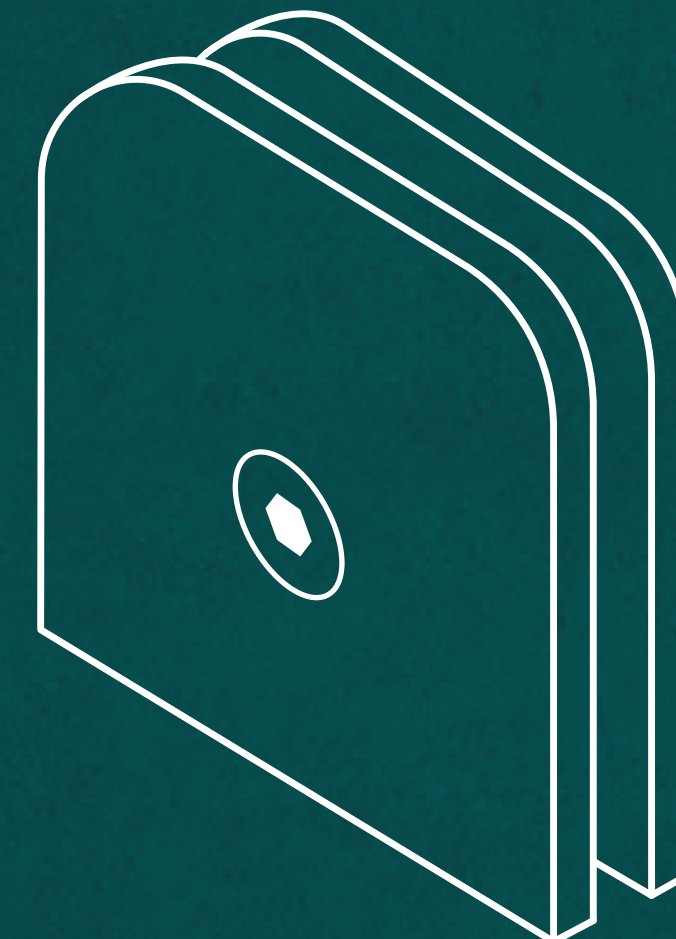
Only use tempered safety glass. To prevent damage to the clamp finish. Installing these clamps should not be performed with power tools.

CARE & CLEANING GUIDELINES:

Keep the following recommendations in mind for maximum results when caring for your Glaze shower door hardware. Your shower door should be dried daily with a soft towel or cloth to ensure its original finish. Do not use harsh cleaners or chemicals on the hardware, as many of the components are coated with a clear lacquer that will become damaged beyond repair. Always test your cleaning solution in an inconspicuous area before wiping the entire hardware surface. Wipe surfaces with a soft, dampened cloth or sponge, and rinse with warm water immediately after applying the cleaning solution. Use only small amounts of a gentle, liquid cleaner. When cleaning hardware, don't use wire scrub brushes, or abrasive products.



Front View



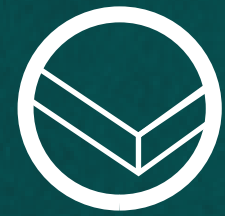
Rear View

Heavy-Duty Square Glass Clamp

SHOWER CLAMP TEMPLATE

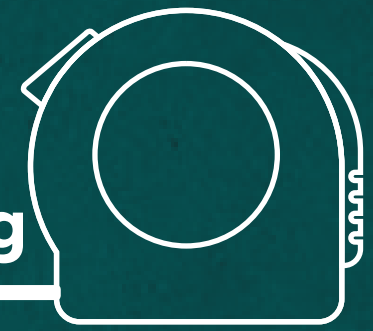


Fixed Panel Square Profile
SKU. SGC50



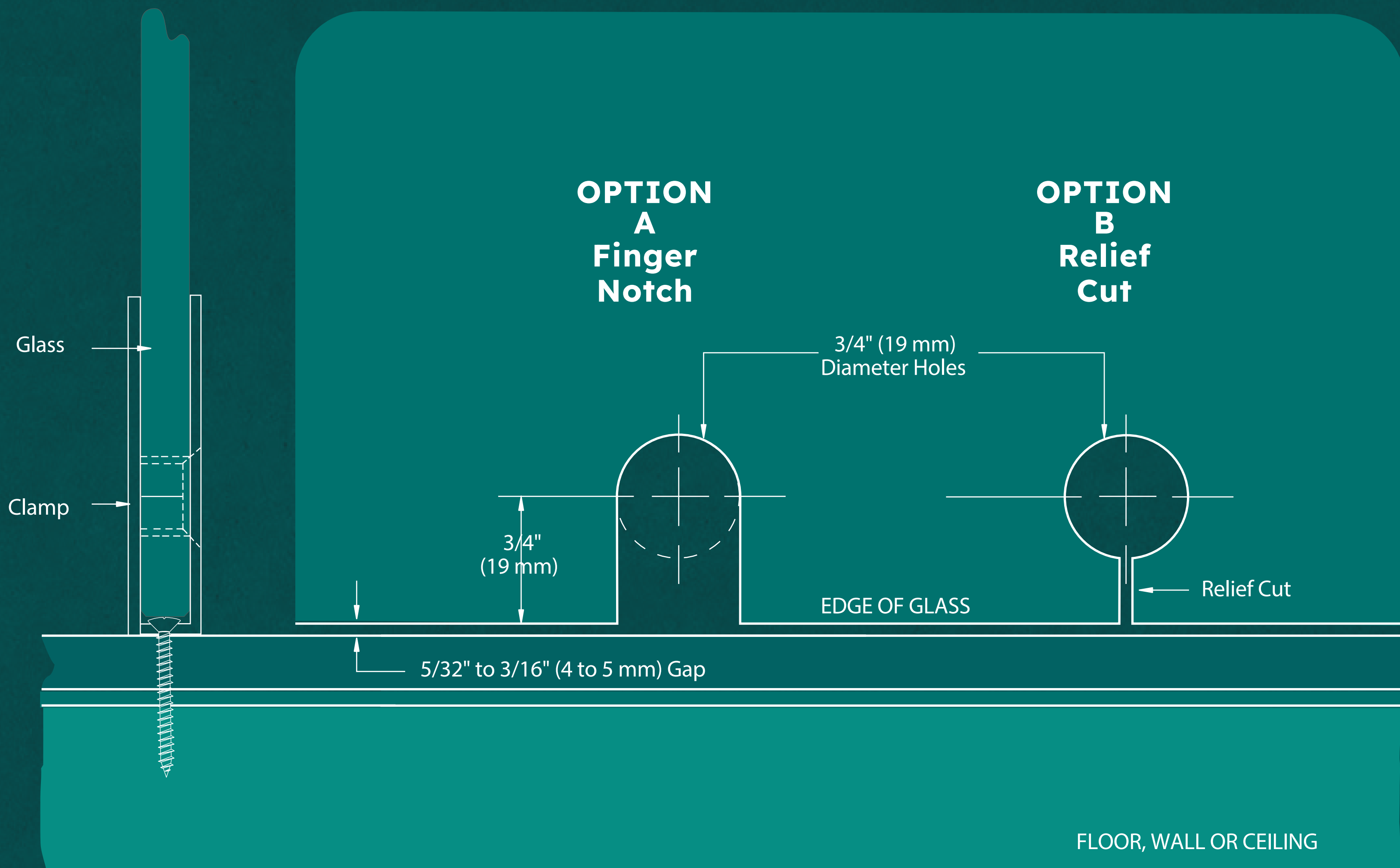
USE ONLY
MONOLITHIC
TEMPERED GLASS

Do not measure/scale drawing



Use dimensions shown

Cutout No. SD26



IMPORTANT:
Measure from Finished
Edge of Glass