

Square 135° Clamp Glass-to-Glass

SHOWER HINGE TEMPLATE



135° Glass Clamps SKU. SGC535

Specifications:

Glass Sizes: 3/8" to 1/2" (10 to 12 mm) Tempered Glass Only
Construction: Solid Brass
Cutout Required: Cutout No. CSU135
Includes: Clamp body, glazing gaskets, mounting screws, and fabrication template.
Use: Residential Bath and Commercial Hotel Applications

GASKET SPECIFICATIONS:

For 3/8" (10mm) Glass:
Use One Gaskets On Each Side

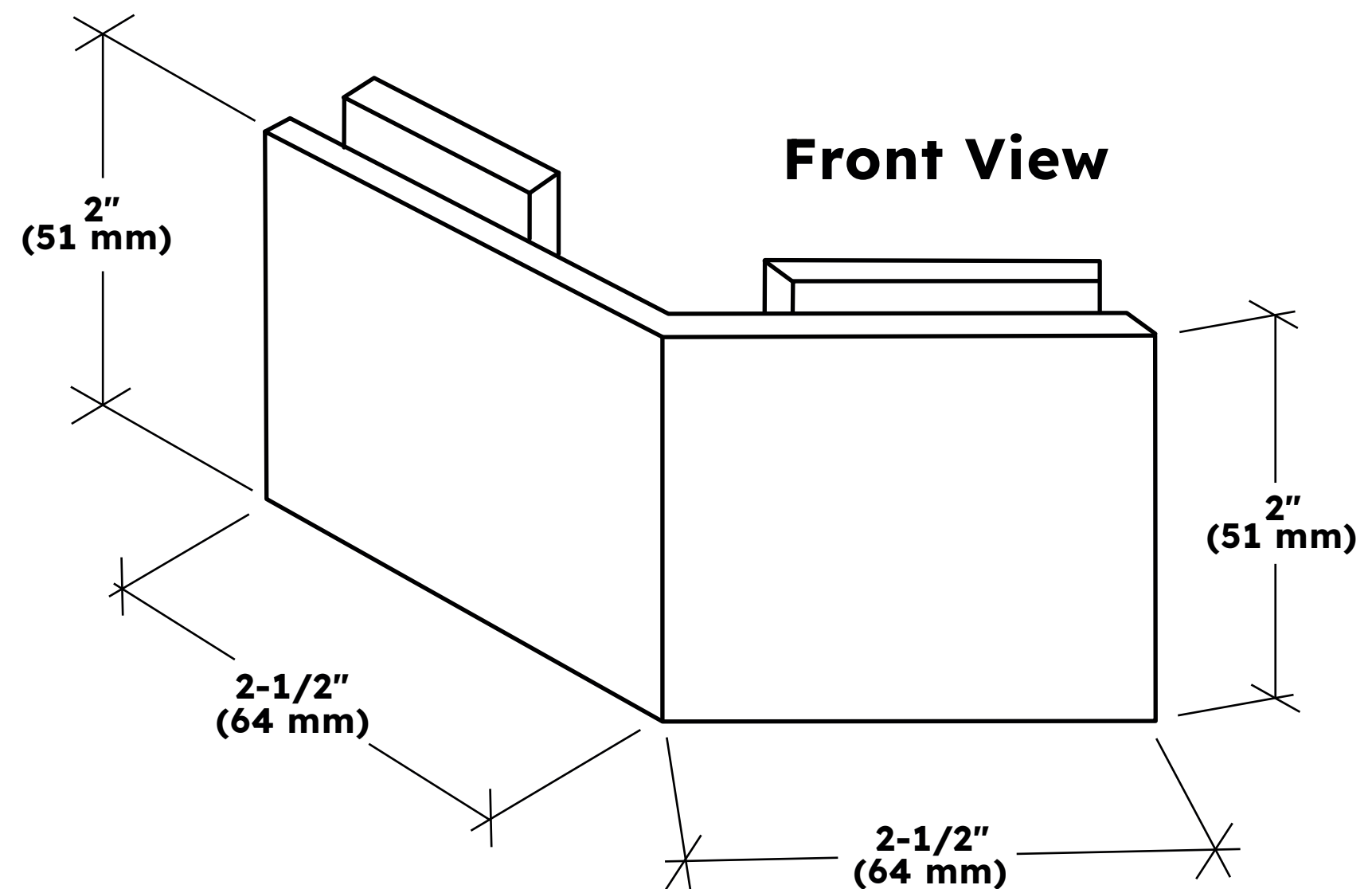
For 1/2" (12mm) Glass:
Use One Gaskets On Each Side

GLASS INSTRUCTIONS:

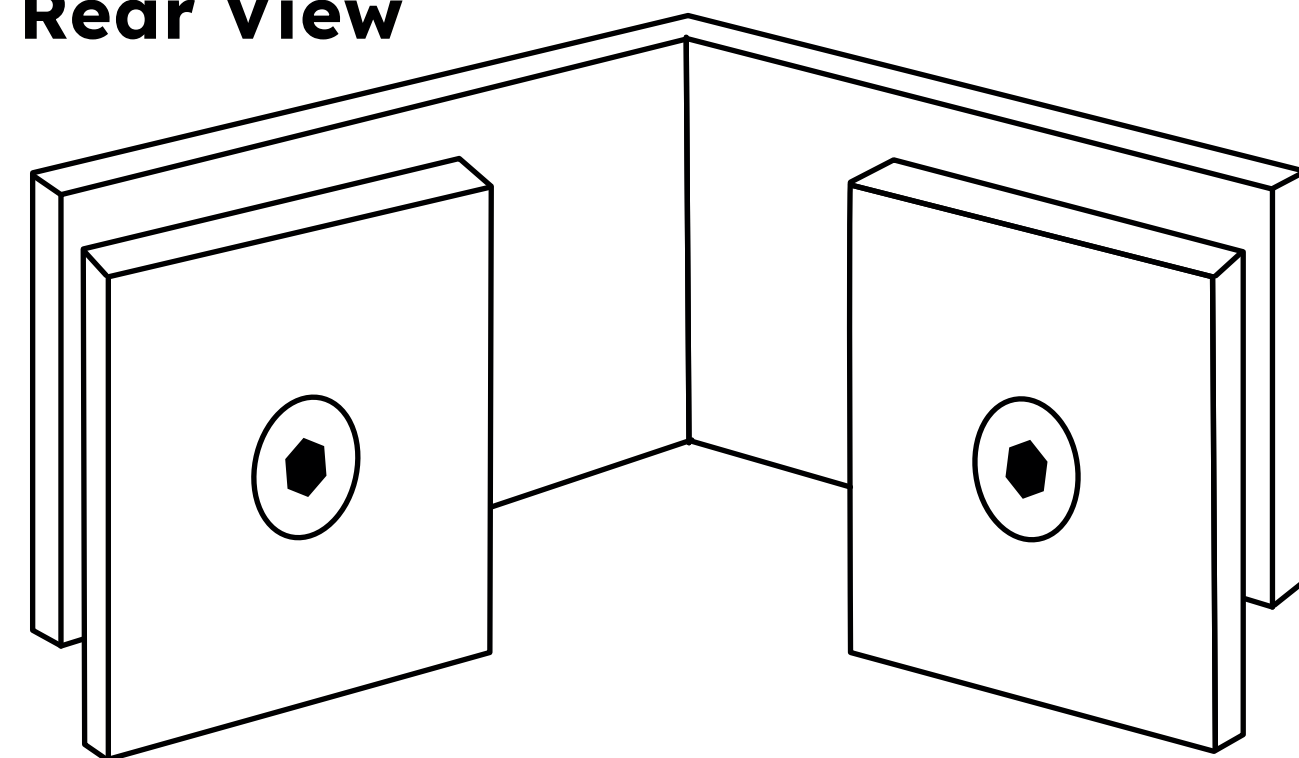
Only use tempered safety glass. To prevent damage to the hinge finish. Installing these hinges should not be performed with power tools.

CARE & CLEANING GUIDELINES:

Keep the following recommendations in mind for maximum results when caring for your Glaze shower door hardware. Your shower door should be dried daily with a soft towel or cloth to ensure its original finish. Do not use harsh cleaners or chemicals on the hardware, as many of the components are coated with a clear lacquer that will become damaged beyond repair. Always test your cleaning solution in an inconspicuous area before wiping the entire hardware surface. Wipe surfaces with a soft, dampened cloth or sponge, and rinse with warm water immediately after applying the cleaning solution. Use only small amounts of a gentle, liquid cleaner. When cleaning hardware, don't use wire scrub brushes, or abrasive products.



Rear View

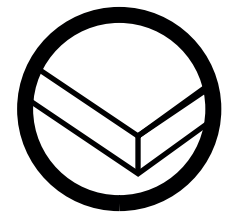


Square 135° Clamp Glass-to-Glass

SHOWER CLAMP TEMPLATE



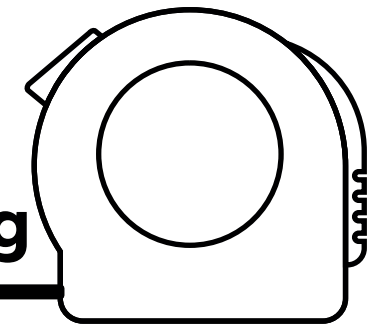
135° Glass Clamps
SKU. SGC535



**USE ONLY
MONOLITHIC
TEMPERED GLASS**

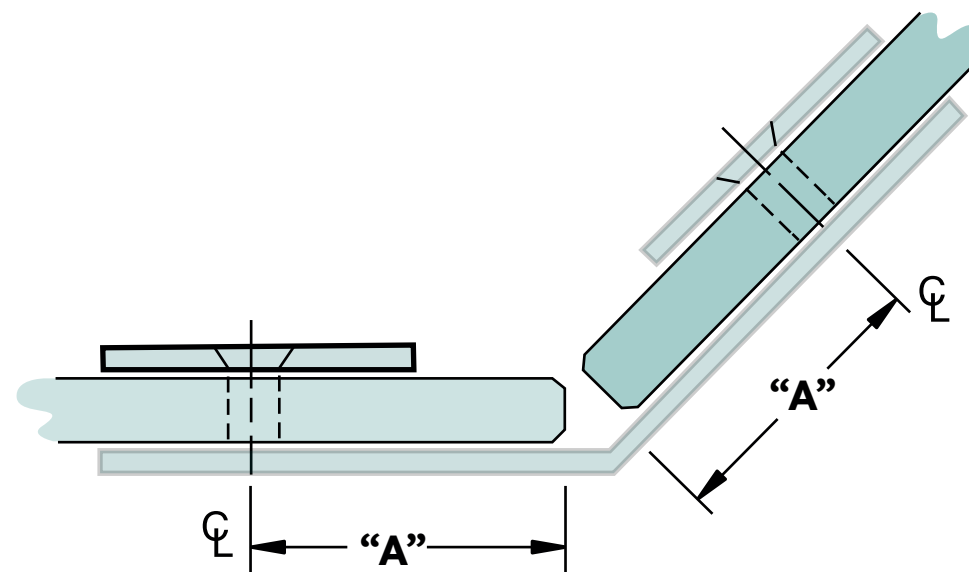
Do not measure/scale drawing

Use dimensions shown

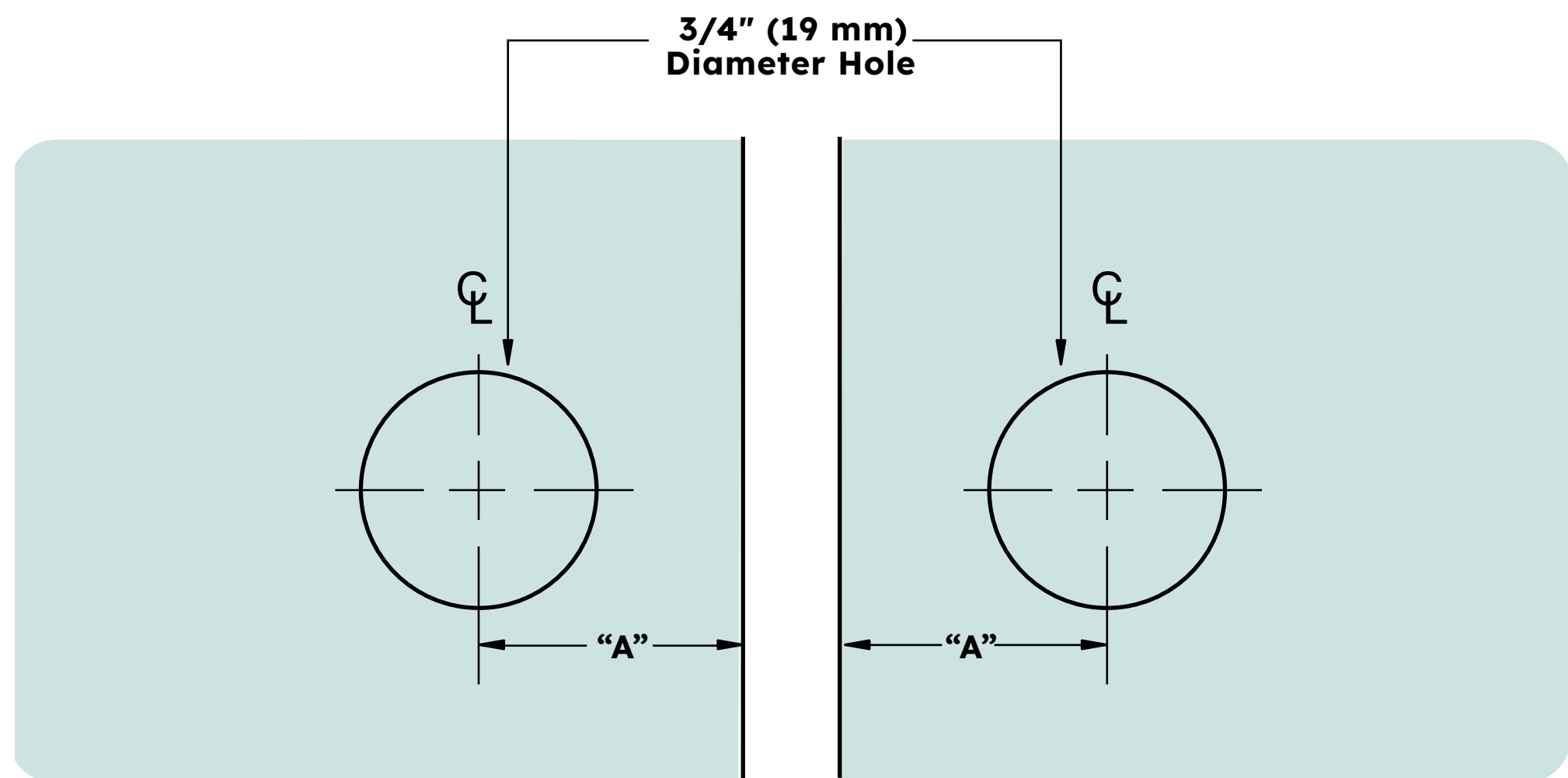


Cutout No. CSU135

TEMPLATE OPTION FOR SQUARE CUT GLASS



GLASS THICKNESS	"A" MEASUREMENT
3/8" (10 mm)	1-5/16" (33 mm)
1/2" (12 mm)	1-1/4" (32 mm)



TEMPLATE OPTION FOR 22-1/2° MITERED GLASS (TYPICAL INSTALLATION)

