

Frameless Fence Clamps

Square Surface

Round Surface

SKU: SPGT-SQ

Specifications:

Glass Sizes: 1/2" (12mm) to 9/16" (14mm) thick
tempered and/or laminated safety glass

Construction: Stainless Steel

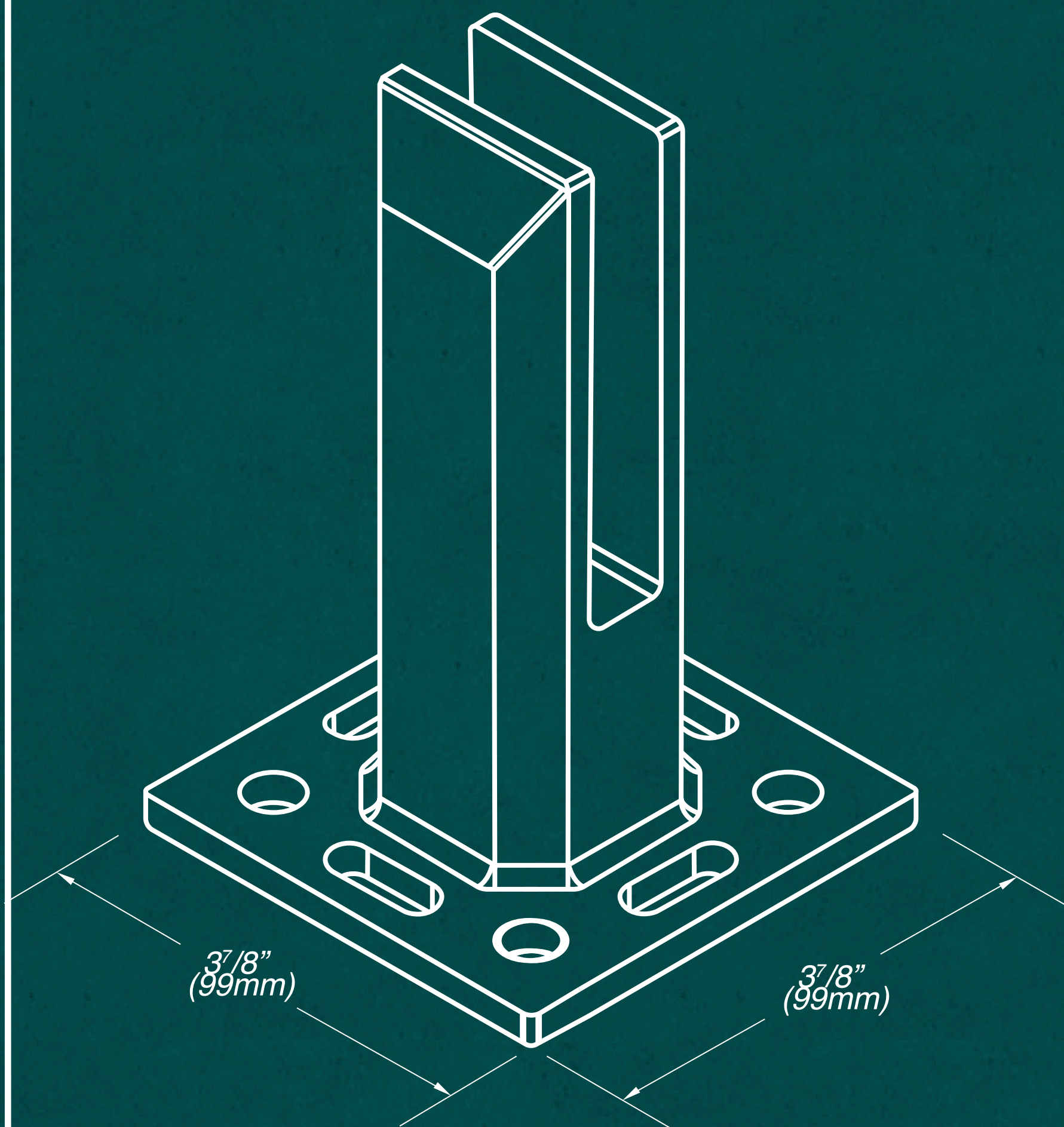
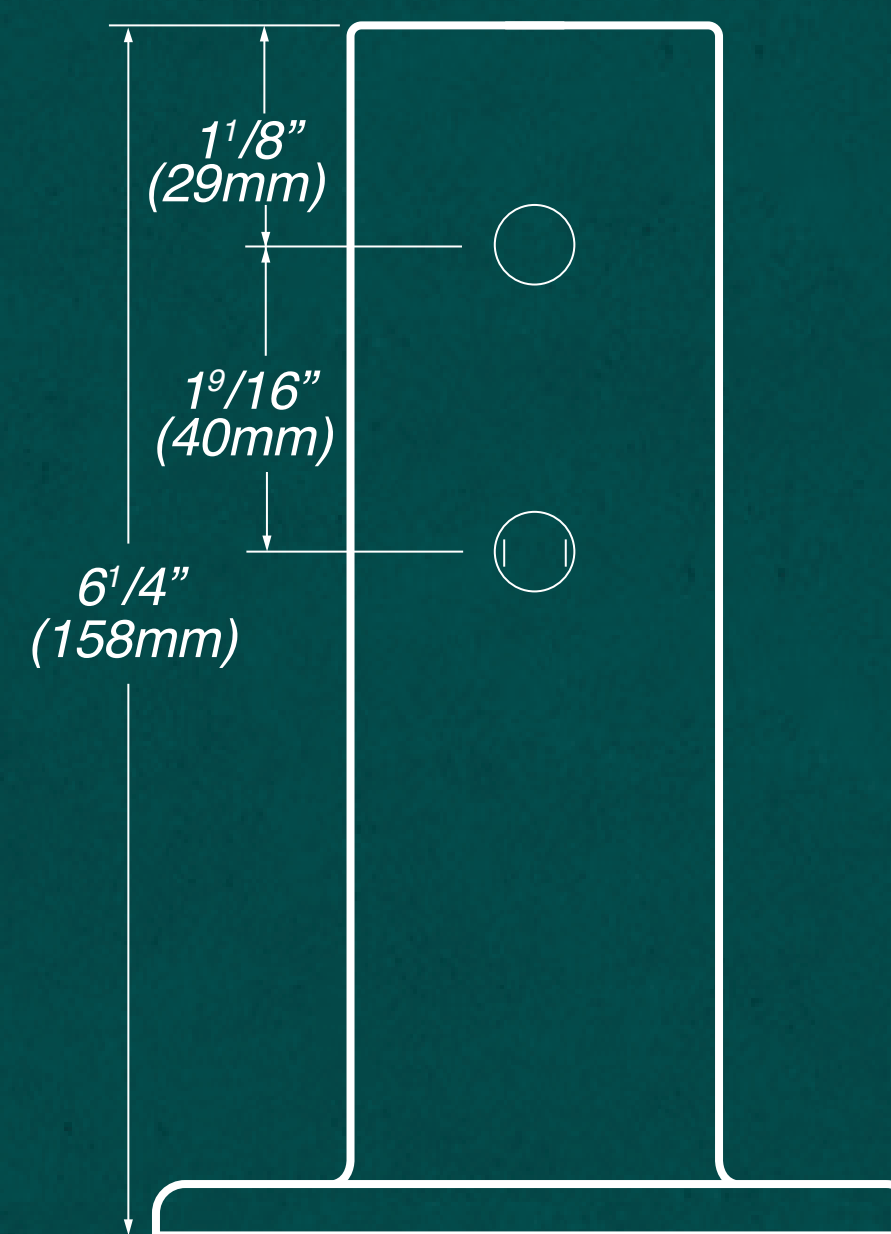
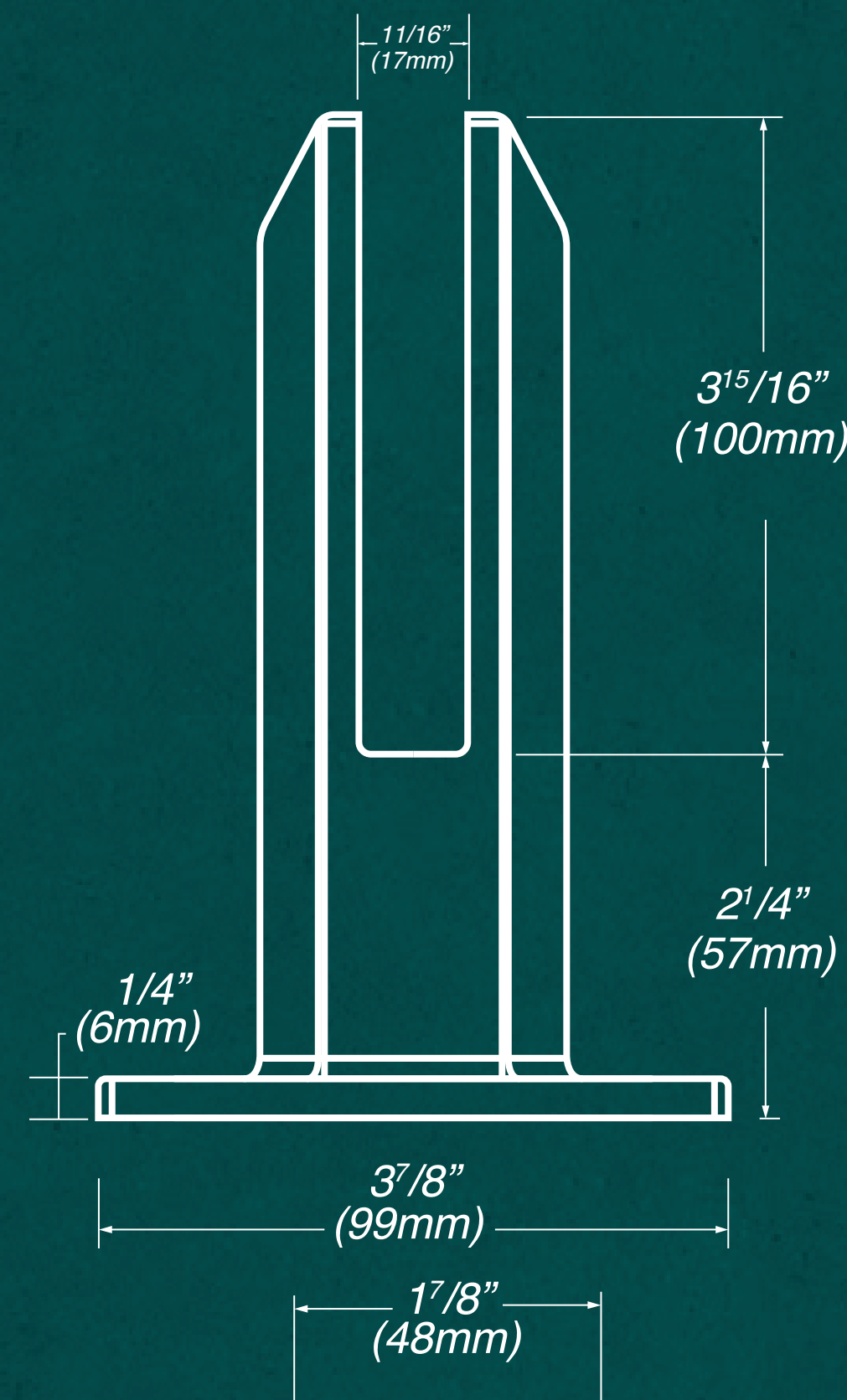
No Cutout Required

Includes: Gaskets and screws.

Height of glass = Overall height - 2 1/4"



GLAZE
HARDWARE

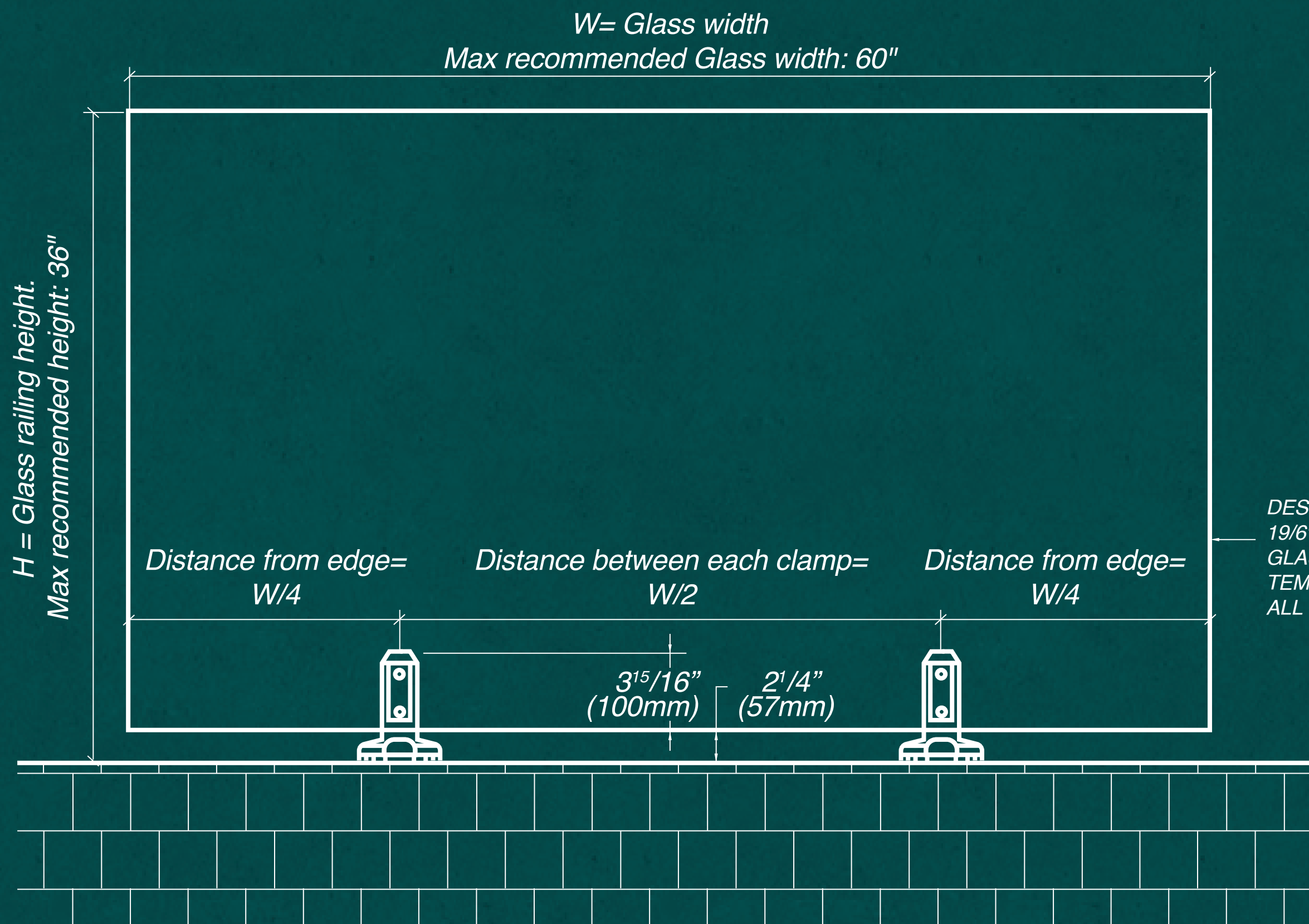


Frameless Fence Clamps Round Surface



SKU: SPGT-SQ

These Fence clamps are intended for installations without holes through the glass. These clamps don't have a through glass bolting option and are intended for locations with lesser wind loads or small light sizes and where fall protection typically is not required.



STANDARD
RECOMMENDED
EDGE DISTANCE

6"
[152mm]

DESIGNED FOR 1/2" to
19/6" AND/OR LAMINATED
GLASS MONOLITHIC
TEMPERED FLAT POLISH
ALL EXPOSED EDGES