



# 1 3/4" x 1 3/4"

## 90 ° Open Face Glass to Glass Square Edges Glass Clamp

SKU. STN590

**RECOMMENDATIONS:**

Use only tempered safety glass.  
Do not use power tools for tightening the  
Clamp clamping plate

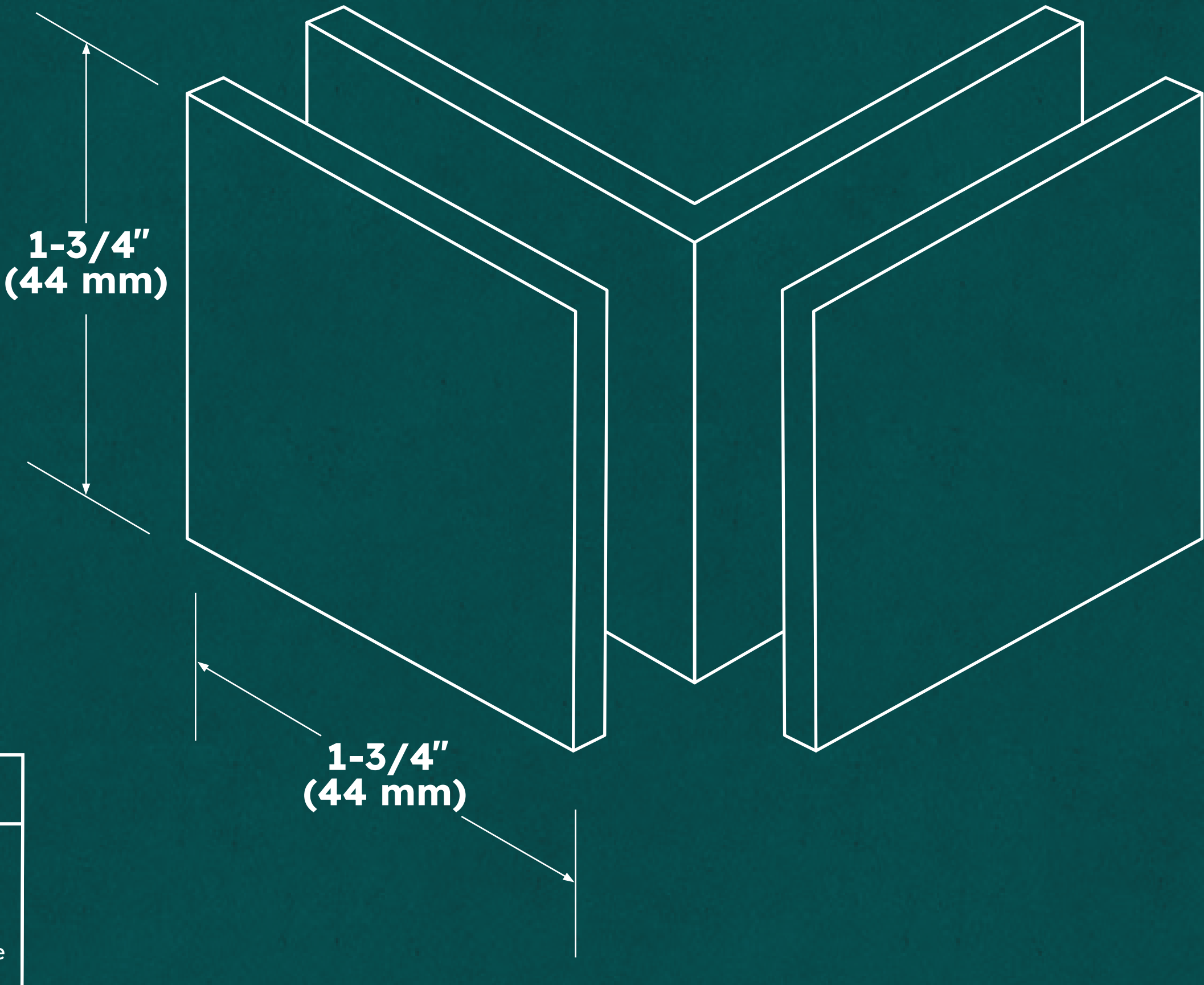
**MAINTENANCE  
GUIDELINES:**

You should never apply an abrasive cleaner on hardware. Drying the hardware with a soft towel after each use is the most effective way to get the most out of our hardware. To clean our hardware a little bit of mild dish soap and warm water should be applied using a non-abrasive cloth or towel. Rinse with clean warm water and then dry. Doing this after each use will ensure the longest life possible for the hardware. Leave the shower door slightly open to allow air to circulate; this will discourage the growth of mildew. Another important cleaning technique for shower doors is to squeegee after showering. It removes excess moisture from the shower and avoids water spots that can be difficult and almost impossible to remove. A plastic squeegee is best because metal could damage a shower.

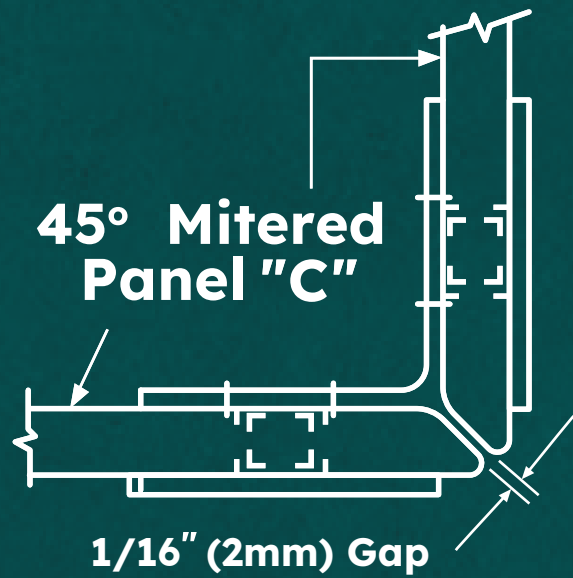
**SPECIFICATIONS:**

**Glass Sizes:** 3/8" (10mm) to 1/2" (12mm) thick tempered safety glass  
**Construction:** Solid brass

**For 3/8" (10mm) Glass:** Use one thick gasket on each side  
**For 1/2" (12mm) Glass:** Use one thin gasket on each side



**Important:** Project measurements from the outside of the mitered glass.

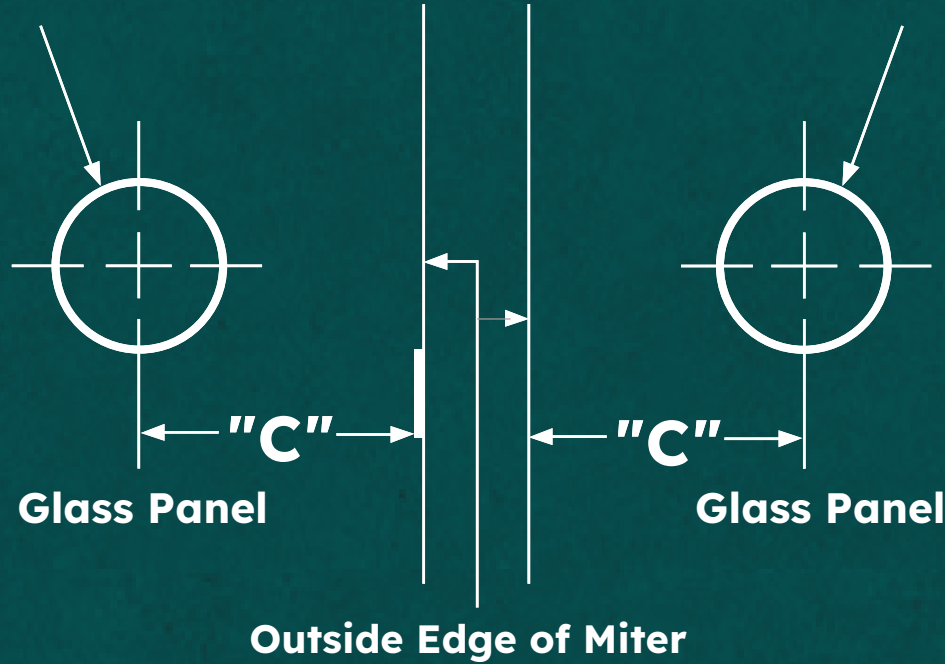


Glass Thickness	"C" Measurement
1/4" (6mm)	1-3/16" (30mm)
5/16" (8mm)	1-1/4" (32mm)
3/8" (10mm)	1-5/16" (34mm)
1/2" (12mm)	1-7/16" (37mm)

### 45° Mitered Glass

**45° Mitered Glass**  
5/8" (16mm) or 3/4" (19mm) Diameter Hole

**45° Mitered Glass**  
5/8" (16mm) or 3/4" (19mm) Diameter Hole



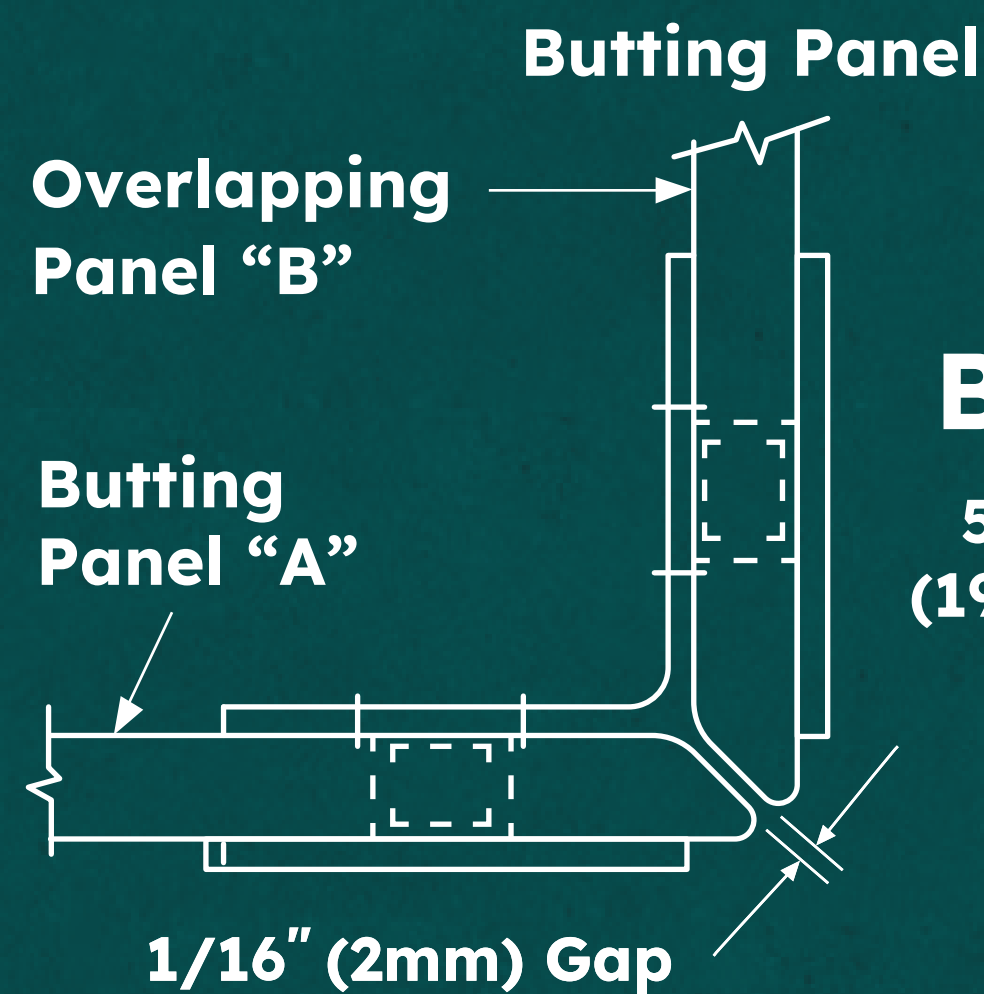
# 1 3/4" x 1 3/4"

# SHOWER HINGE TEMPLATE

## 90 ° Open Face Glass to Glass Square Edges Glass Clamp



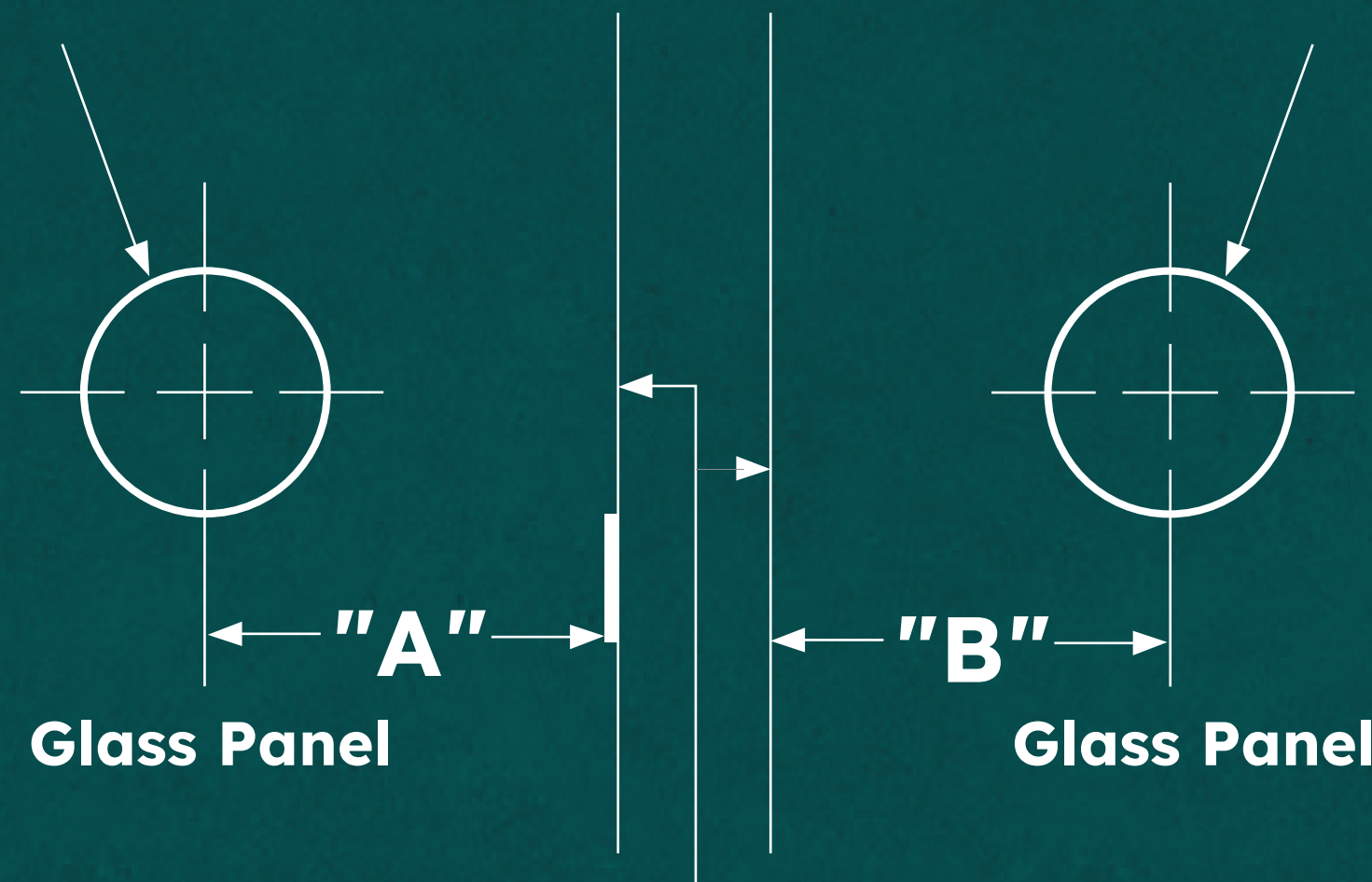
SKU. STN590



### Square Cut Template

**Butting Panel**  
5/8" (16mm) or 3/4"  
(19mm) Diameter Hole

**Overlapping Panel**  
5/8" (16mm) or 3/4"  
(19mm) Diameter Hole



Glass Thickness	"C" Measurement	"B" Measurement
1/4" (6mm)	15/16" (24mm)	1-1/4" (32mm)
5/16" (8mm)	15/16" (24mm)	1-5/16" (34mm)
3/8" (10mm)	15/16" (24mm)	1-3/8" (35mm)
1/2" (12mm)	15/16" (24mm)	1-1/2" (38mm)