

2"x1 3/4" Standoff

SHOWER STANDOFF TEMPLATE



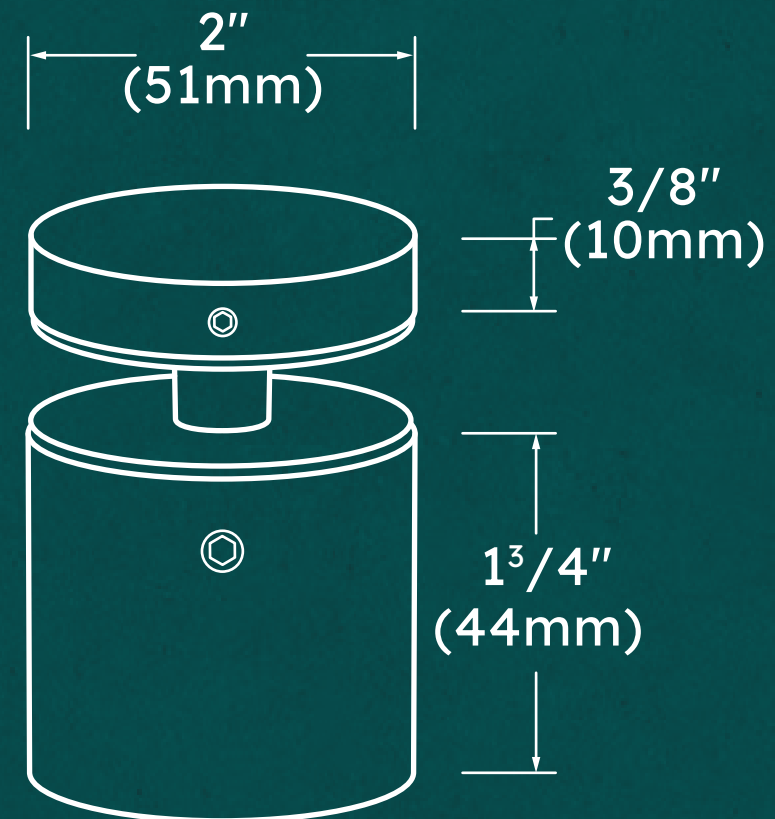
SKU. STNDOFF

RECOMMENDATIONS:

Can be cleaned with water and a soft cloth. Use of harsh or abrasive chemicals may harm finish and will void the warranty. Do not use power tools when installing or spray lubricant on Standoffs.

MAINTENANCE GUIDELINES:

You should never apply an abrasive cleaner on hardware. Drying the hardware with a soft towel after each use is the most effective way to get the most out of our hardware. To clean our hardware a little bit of mild dish soap and warm water should be applied using a non-abrasive cloth or towel. Rinse with clean warm water and then dry. Doing this after each use will ensure the longest life possible for the hardware. Leave the shower door slightly open to allow air to circulate; this will discourage the growth of mildew. Another important cleaning technique for shower doors is to squeegee after showering. It removes excess moisture from the shower and avoids water spots that can be difficult and almost impossible to remove. A plastic squeegee is best because metal could damage a shower.



Specifications:

To be used with tempered monolithic or laminated glass. Construction: Stainless Steel
Hole diameter: \varnothing 5/8"
Includes: Gaskets, screws and Bolt.

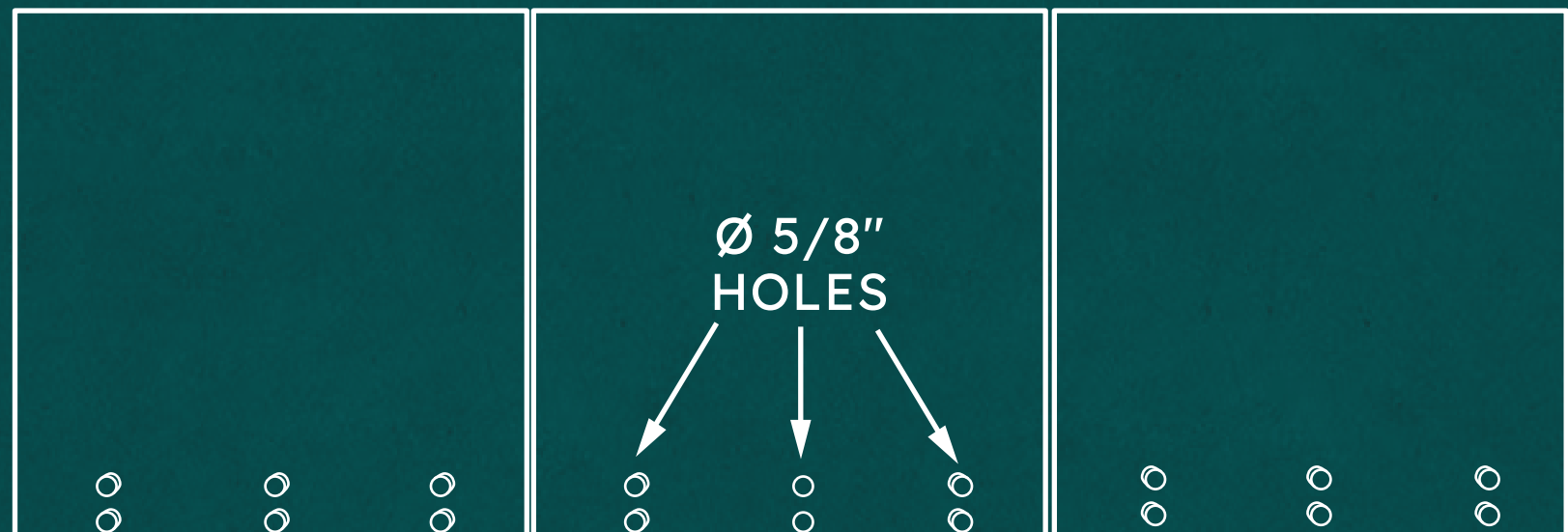
Max Weight per standoff:
50 lb (0.22kN) on 1 sf (0.093 m²)
Due to the diversity of applications, weight limitations for Standoff systems are dependent upon wall or substrate anchoring and material strengths.

Support distributed load of 50 pounds per linear foot (0.73KN/M), applied horizontally at right angles in any direction to the top/grab rail.

Support concentrated horizontal load of 200 pounds (0.89kN), applied in any direction at any point along top/grab rail.

Wind loads 25 psf or as otherwise specified
Maximum deflection at top of glass is height/24.
Stainless Steel body and black polyurethane gaskets.
Screws included.

DRAWING APPLICATION



2"x1 3/4" Standoff

SHOWER STANDOFF TEMPLATE



SKU. STNDOFF

RECOMMENDATIONS:

Can be cleaned with water and a soft cloth. Use of harsh or abrasive chemicals may harm finish and will void the warranty. Do not use power tools when installing or spray lubricant on Standoffs.

MAINTENANCE GUIDELINES:

You should never apply an abrasive cleaner on hardware. Drying the hardware with a soft towel after each use is the most effective way to get the most out of our hardware. To clean our hardware a little bit of mild dish soap and warm water should be applied using a non-abrasive cloth or towel. Rinse with clean warm water and then dry. Doing this after each use will ensure the longest life possible for the hardware. Leave the shower door slightly open to allow air to circulate; this will discourage the growth of mildew. Another important cleaning technique for shower doors is to squeegee after showering. It removes excess moisture from the shower and avoids water spots that can be difficult and almost impossible to remove. A plastic squeegee is best because metal could damage a shower.

Specifications:

To be used with tempered monolithic or laminated glass. Construction: Stainless Steel
Hole diameter: \varnothing 5/8"
Includes: Gaskets, screws and Bolt.

Max Weight per standoff:
50 lb (0.22kN) on 1 sf (0.093 m²)
Due to the diversity of applications, weight limitations for Standoff systems are dependent upon wall or substrate anchoring and material strengths.

Support distributed load of 50 pounds per linear foot (0.73KN/M), applied horizontally at right angles in any direction to the top/grab rail.

Support concentrated horizontal load of 200 pounds (0.89kN), applied in any direction at any point along top/grab rail.

Wind loads 25 psf or as otherwise specified
Maximum deflection at top of glass is height/24.
Stainless Steel body and black polyurethane gaskets.
Screws included.

