

# Sublime Series Offset

## SHOWER HINGE TEMPLATE



### Hinge - Adjustable

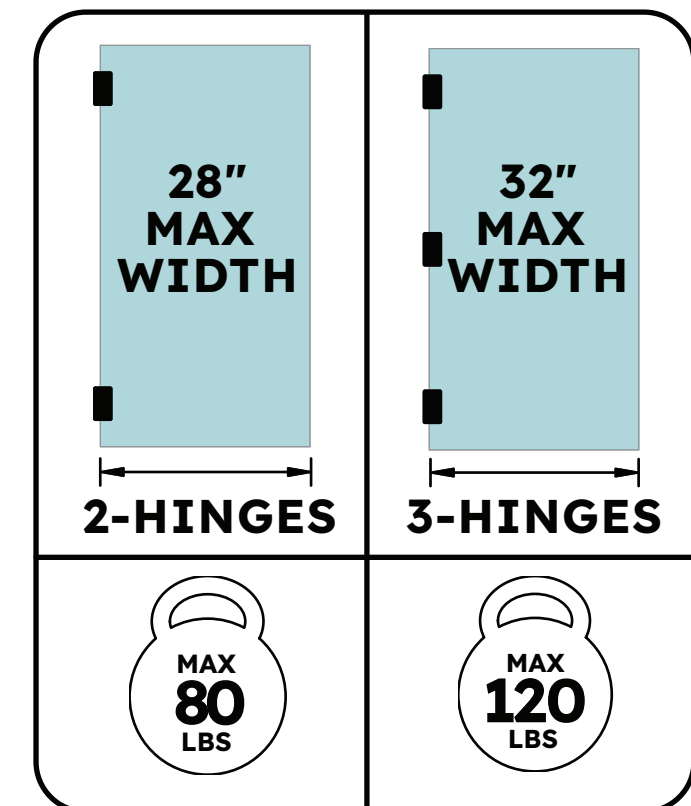
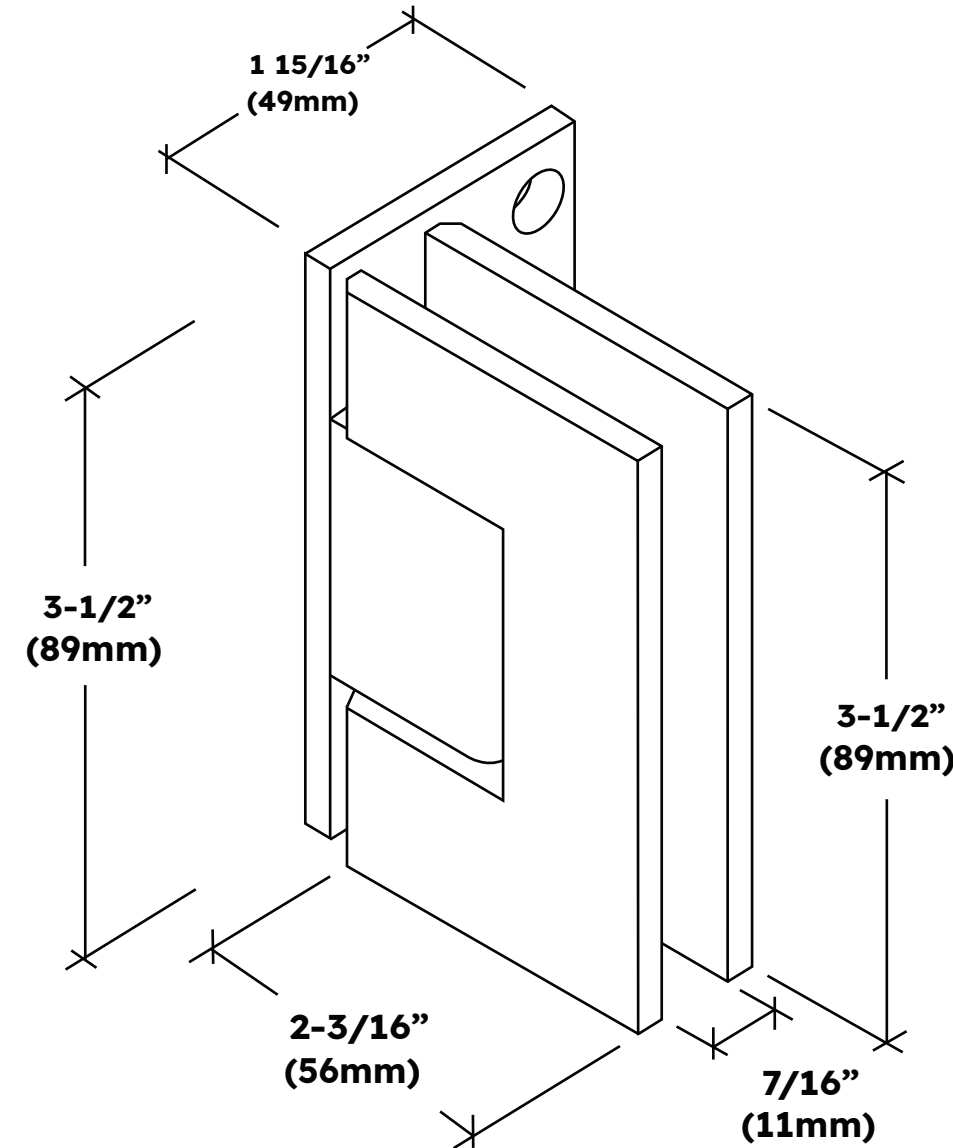
SKU: SUB10-OS-ADJ

### RECOMMENDATIONS:

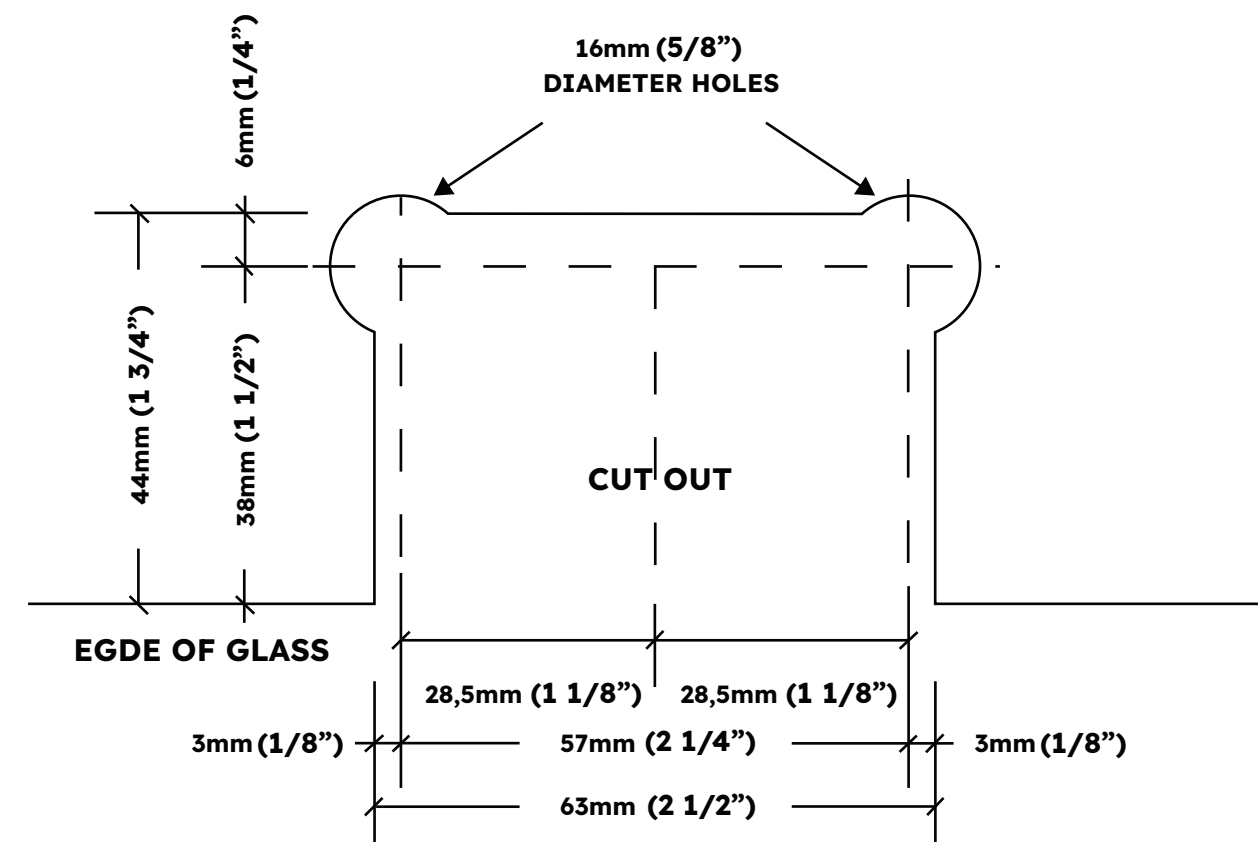
Use only tempered safety glass.  
Do not use power tools for tightening the hinge clamping plate

### MAINTENANCE GUIDELINES:

All Glaze Hardware hinges are factory greased to ensure a quiet, hassle-free installation. Suppose there is any noticeable squeaking that occurs after installation. In that case, applying a few drops of (3 in 1) multi-purpose oil to the hinge at the nylon washer/pivot location is recommended. If, for some reason, the hinge is disassembled during maintenance, use a small amount of white lithium grease to lubricate the interior hinge components. The lubricant will penetrate the hinge crevices, reducing friction and cleaning grime and buildup. The use of spray lubricants



**SEE TEMPLATE BELOW**  
Refer to Dimensions Shown to Ensure Accuracy



### Specifications:

Glass Sizes: 3/8" (10mm) to 1/2 (12mm) thick tempered safety glass

Construction: Solid brass

Cutout Required

Includes: Gaskets, screws and template

Use of Gaskets:

Our Military Grade Gasket can be used with 3/8" and 1/2 thick glass

| MAXIMUM DOOR CAPACITY | 3/8 (10MM) GLASS |              | 1/2 (12MM) GLASS |              |
|-----------------------|------------------|--------------|------------------|--------------|
|                       | WEIGHT           | WIDTH        | WEIGHT           | WIDTH        |
| USING 2 HINGES        | 80 LBS (36 Kg)   | 28" (711 mm) | 80 LBS (36 Kg)   | 28" (711 mm) |
| USING 3 HINGES        | 120 LBS (54 Kg)  | 32" (813 mm) | 120 LBS (54 Kg)  | 32" (813 mm) |

Note: Do not exceed either maximum weight or width when choosing proper quantity of hinges.