

Sublime Series H-Plante Hinge

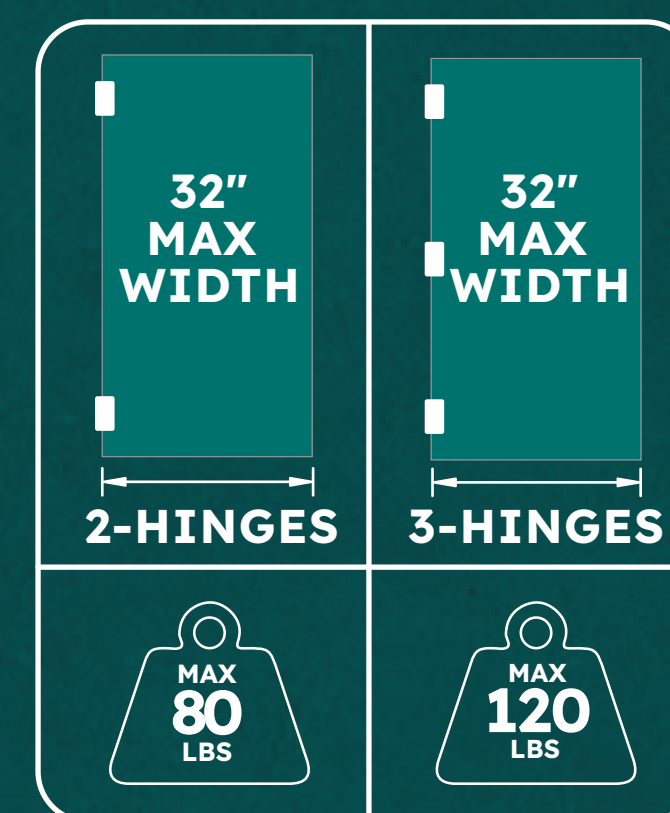
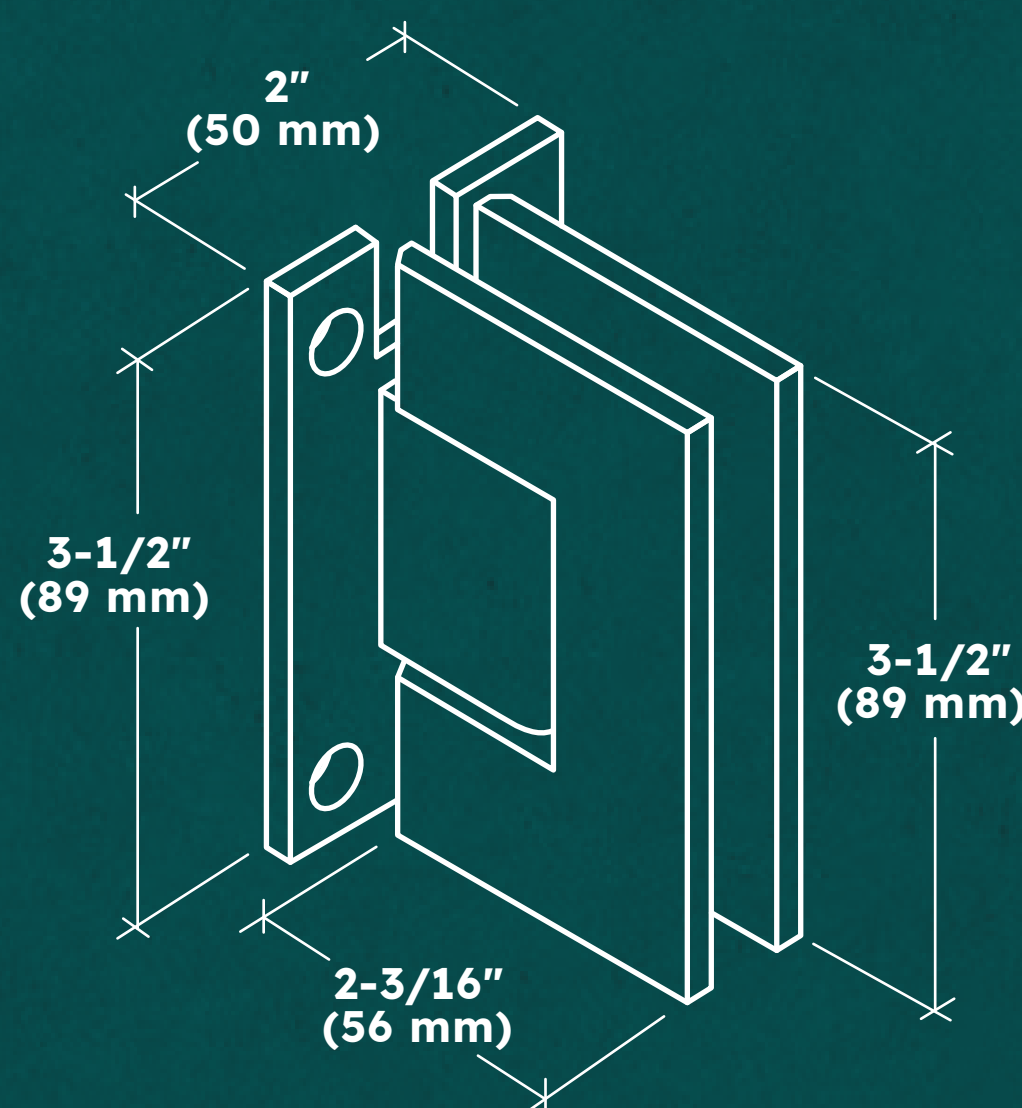
SHOWER HINGE TEMPLATE



Wall Mount Hinge - Full Back Plate
SKU. SUB10H

Specifications:

Glass Sizes: 3/8" to 1/2" (10 to 12 mm) thick tempered safety glass
Construction: Solid brass
Closing Type: Self-centering when within 15° of closed position
Cutout Required
Includes: Gaskets, screws and template



GASKET SPECIFICATIONS:

For 3/8" (10mm) Glass: Use one thick gasket on each side
For 1/2" (12mm) Glass: Use one thin gasket on each side

GLASS INSTRUCTIONS:

Only use tempered safety glass. To prevent damage to the hinge finish. Installing these hinges should not be performed with power tools.

IMPORTANT INFORMATION:

Glaze Hardware standard duty Wall-mounted hinge with H Back allowing full access to the opening. The Sublime Series hinge is factory-set at 90 degrees for a standard closing position, allowing a frameless appearance without the need for extensive hardware.

SEE TEMPLATE ON BACK
Refer to Dimensions Shown to Ensure Accuracy

CARE & CLEANING GUIDELINES:

Keep the following recommendations in mind for maximum results when caring for your Glaze shower door hardware. Your shower door should be dried daily with a soft towel or cloth to ensure its original finish. Do not use harsh cleaners or chemicals on the hardware, as many of the components are coated with a clear lacquer that will become damaged beyond repair. Always test your cleaning solution in an inconspicuous area before wiping the entire hardware surface. Wipe surfaces with a soft, dampened cloth or sponge, and rinse with warm water immediately after applying the cleaning solution. Use only small amounts of a gentle, liquid cleaner. When cleaning hardware, don't use wire scrub brushes, or abrasive products.

MAINTENANCE:

All Glaze Hardware hinges are factory greased to ensure a quiet, hassle-free installation. Suppose there is any noticeable squeaking that occurs after installation. In that case, applying a few drops of (3 in 1) multi-purpose oil to the hinge at the nylon washer/pivot location is recommended. If, for some reason, the hinge is disassembled during maintenance, use a small amount of white lithium grease to lubricate the interior hinge components. The lubricant will penetrate the hinge crevices, reducing friction and cleaning grime and buildup. The use of spray lubricants is prohibited.

MAXIMUM DOOR CAPACITY	3/8" (10MM) GLASS Approx. 5 lb/ft ²		1/2" (12 mm) GLASS Approx. 6.4 lb/ft ²	
	WEIGHT	WIDHT	WEIGHT	WIDHT
USING 2 HINGES	80 LBS. (36 kg)	28"(711mm)	80 LBS. (36 kg)	28"(711mm)
USING 3 HINGES	120 lbs.(54 kg)	32"(813mm)	120 lbs.(54 kg)	32"(813mm)

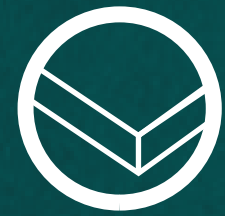
Note: Do not exceed either maximun weight or width when choosing proper quantity of hinges

Sublime Series H-Plante Hinge

SHOWER CLAMP TEMPLATE

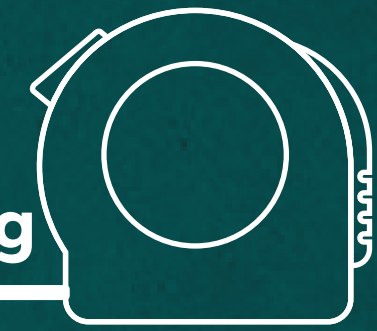


Wall Mount Hinge - Full Back Plate
SKU. SUB10H



USE ONLY
MONOLITHIC
TEMPERED GLASS

Do not measure/scale drawing



Use dimensions shown

Cutout No. SD3

